

CMARC3 XML Schema / DTD 定義

指導單位：教育部

主辦機關：國家圖書館

撰稿人：余顯強

中華民國九十三年九月

目次

目次.....	i
壹、資料轉換之 XML Schema 定義	
一、XML Schema 定義.....	5
二、XML Schema 架構圖.....	11
三、XML Schema 展開表.....	15
四、XML Schema 文本.....	21
貳、後續自動化系統應用之 XML Schema 定義	
一、XML Schema 定義.....	27
二、XML Schema 架構圖	
(一) 最外層架構圖.....	75
(二) 中間層架構圖.....	79
(三) 最內層架構圖.....	89
三、XML Schema 展開表.....	123
四、XML Schema 文本.....	213

壹、資料轉換之 XML Schema 定義

一、XML Schema 定義


```

<?xml version="1.0" encoding="UTF-8" ?>
- <xsd:schema elementFormDefault="qualified" attributeFormDefault="unqualified"
  version="1.0" xmlns:xsd="http://www.w3.org/2001/XMLSchema">
- <xsd:annotation xml:lang="zh">
  <xsd:documentation>Chinese MARC Schema Definition Prepared by
    Shien-chiang Yu July 1, 2004 - Version 1.0 - Coding first (Initial
    Release) 方式一：簡略定義。參照MARC21 之Schema定義，透過屬性id 紀錄欄號、
    分欄之編號</xsd:documentation>
</xsd:annotation>
- <xsd:element name="collection" type="collectionType" nillable="true"
  id="collection">
- <xsd:annotation>
  <xsd:documentation>collection is a top level container element for 0
    or many records</xsd:documentation>
</xsd:annotation>
</xsd:element>
- <xsd:complexType name="collectionType">
- <xsd:sequence minOccurs="0" maxOccurs="unbounded">
  <xsd:element ref="record" />
</xsd:sequence>
  <xsd:attribute name="id" type="idDataType" use="optional" />
</xsd:complexType>
- <xsd:element name="record" type="recordType" nillable="true">
- <xsd:annotation>
  <xsd:documentation>record is a top level container element for all of
    the field elements which compose the record</xsd:documentation>
</xsd:annotation>
</xsd:element>
- <xsd:complexType name="recordType">
- <xsd:sequence minOccurs="0">
  <xsd:element name="leader" type="leaderFieldType" />
  <xsd:element name="controlfield" type="controlFieldType"
    minOccurs="0" maxOccurs="unbounded" />
  <xsd:element name="datafield" type="dataFieldType" minOccurs="0"
    maxOccurs="unbounded" />
</xsd:sequence>
  <xsd:attribute name="type" type="recordTypeType" use="optional" />
  <xsd:attribute name="id" type="idDataType" use="optional" />
</xsd:complexType>
- <xsd:simpleType name="recordTypeType">
- <xsd:restriction base="xsd:NMTOKEN">
  <xsd:enumeration value="Bibliographic" />
  <xsd:enumeration value="Authority" />
  <xsd:enumeration value="Holdings" />
  <xsd:enumeration value="Classification" />
  <xsd:enumeration value="Community" />
</xsd:restriction>
</xsd:simpleType>
- <xsd:complexType name="leaderFieldType">
- <xsd:annotation>
  <xsd:documentation>Chinese MARC v.3 Leader, 24
    bytes</xsd:documentation>
</xsd:annotation>
- <xsd:simpleContent>
- <xsd:extension base="leaderDataType">
  <xsd:attribute name="id" type="idDataType" use="optional" />

```

```

        </xsd:extension>
    </xsd:simpleContent>
</xsd:complexType>
- <xsd:simpleType name="leaderDataType">
- <xsd:restriction base="xsd:string">
    <xsd:whiteSpace value="preserve" />
    <xsd:pattern value="[\d ]{5}[\dA-Za-z ]{1}[\dA-Za-z]{1}[\dA-Za-z ]{3}(2| )(2| )[\d ]{5}[\dA-Za-z ]{3}(4500| )" />
</xsd:restriction>
</xsd:simpleType>
- <xsd:complexType name="controlFieldType">
- <xsd:annotation>
    <xsd:documentation>Chinese MARC v.3 Fields 001-009</xsd:documentation>
</xsd:annotation>
- <xsd:simpleContent>
- <xsd:extension base="controlDataType">
    <xsd:attribute name="id" type="idDataType" use="optional" />
    <xsd:attribute name="tag" type="controltagDataType" use="required" />
</xsd:extension>
</xsd:simpleContent>
</xsd:complexType>
- <xsd:simpleType name="controlDataType">
- <xsd:restriction base="xsd:string">
    <xsd:whiteSpace value="preserve" />
</xsd:restriction>
</xsd:simpleType>
- <xsd:simpleType name="controltagDataType">
- <xsd:restriction base="xsd:string">
    <xsd:whiteSpace value="preserve" />
    <xsd:pattern value="00[1-9]{1}" />
</xsd:restriction>
</xsd:simpleType>
- <xsd:complexType name="dataFieldType">
- <xsd:annotation>
    <xsd:documentation>Chinese MARC v.3 Data Fields 010-999</xsd:documentation>
</xsd:annotation>
- <xsd:sequence maxOccurs="unbounded">
    <xsd:element name="subfield" type="subfielddataType" />
</xsd:sequence>
<xsd:attribute name="id" type="idDataType" use="optional" />
<xsd:attribute name="tag" type="tagDataType" use="required" />
<xsd:attribute name="ind1" type="indicatorDataType" use="required" />
<xsd:attribute name="ind2" type="indicatorDataType" use="required" />
</xsd:complexType>
- <xsd:simpleType name="tagDataType">
- <xsd:restriction base="xsd:string">
    <xsd:whiteSpace value="preserve" />
    <xsd:pattern value="010-999" />
</xsd:restriction>
</xsd:simpleType>
- <xsd:simpleType name="indicatorDataType">
- <xsd:restriction base="xsd:string">
    <xsd:whiteSpace value="preserve" />

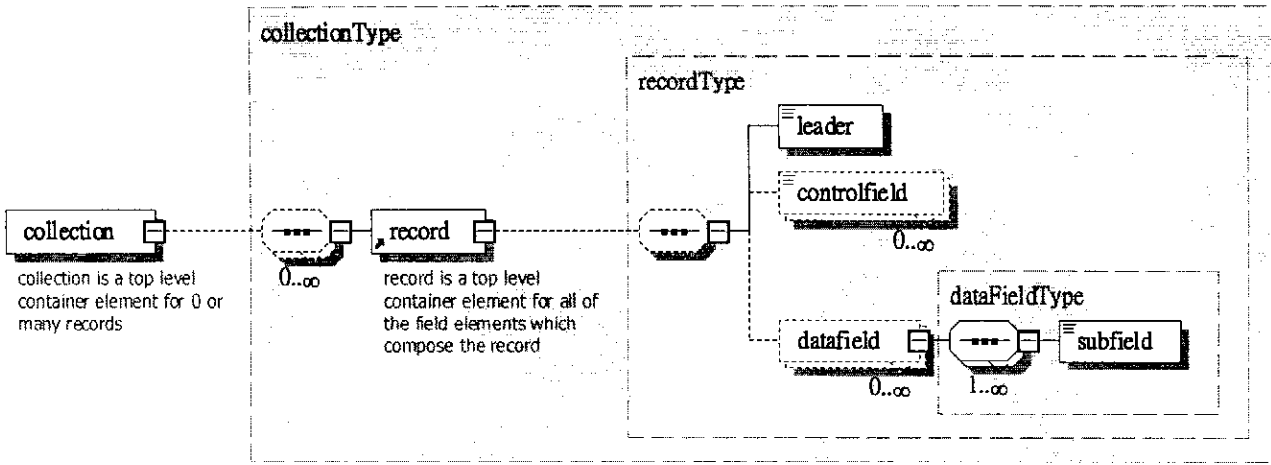
```

```

    <xsd:pattern value="[\d ]{1}" />
  </xsd:restriction>
</xsd:simpleType>
- <xsd:complexType name="subfielddataType">
  - <xsd:simpleContent>
    - <xsd:extension base="subfieldDataType">
      <xsd:attribute name="id" type="idDataType" use="optional" />
      <xsd:attribute name="code" type="subfieldcodeDataType"
        use="required" />
    </xsd:extension>
  </xsd:simpleContent>
</xsd:complexType>
- <xsd:simpleType name="subfieldDataType">
  - <xsd:restriction base="xsd:string">
    <xsd:whiteSpace value="preserve" />
  </xsd:restriction>
</xsd:simpleType>
- <xsd:simpleType name="subfieldcodeDataType">
  - <xsd:restriction base="xsd:string">
    <xsd:whiteSpace value="preserve" />
    <xsd:pattern value="[\da-z!\"#$%&'()*+,-./:;<=>?{}_`~\[\]\\"
      {1}" />
  </xsd:restriction>
</xsd:simpleType>
- <xsd:simpleType name="idDataType">
  <xsd:restriction base="xsd:ID" />
</xsd:simpleType>
</xsd:schema>

```


二、XML Schema 架構圖



三、XML Schema 展開表

XML	
version	1.0
encoding	UTF-8
xsd:schema	
elementFormDefault	qualified
attributeFormDefault	unqualified
version	1.0
xmlns:xsd	http://www.w3.org/2001/XMLSchema
xsd:annotation	
xm:lang	zh
xsd:documentation	Chinese MARC Schema Definition Prepared by Shien-chiang Yu July 1, 2004 - Version 1.0 - Coding first (Initial Release) 方式一：簡略定義。參照MARC21之Schema定義，透過屬性id紀錄欄號、分欄之編號
xsd:element	
name	collection
type	collectionType
nillable	true
id	collection
xsd:documentation	collection is a top level container element for 0 or many records
xsd:complexType	
name	collectionType
xsd:sequence	
minOccurs	0
maxOccurs	unbounded
xsd:element	
ref	record
xsd:attribute	
name	id
type	idDataType
use	optional
xsd:element	
name	record
type	recordType
nillable	true
xsd:documentation	record is a top level container element for all of the field elements which compose the record
xsd:complexType	
name	recordType
xsd:sequence	
minOccurs	0
xsd:element	
name	leader
type	leaderFieldType
xsd:element	
name	controlfield
type	controlFieldType
minOccurs	0
maxOccurs	unbounded
xsd:element	
name	datafield
type	dataFieldType
minOccurs	0
maxOccurs	unbounded
xsd:attribute	
name	type
type	recordTypeType
use	optional
xsd:attribute	
name	id
type	idDataType
use	optional
xsd:simpleType	
name	recordTypeType
xsd:restriction	
base	xsd:NMTOKEN
xsd:enumeration	

		= value	Bibliographic
	xsd:enumeration	= value	Authority
	xsd:enumeration	= value	Holdings
	xsd:enumeration	= value	Classification
	xsd:enumeration	= value	Community
xsd:complexType	= name	leaderFieldType	
	xsd:annotation	xsd:documentation Chinese MARC v.3 Leader, 24 bytes	
	xsd:simpleContent		
	xsd:extension	= base	leaderDataType
	xsd:attribute	= name	id
		= type	idDataType
		= use	optional
xsd:simpleType	= name	leaderDataType	
	xsd:restriction	= base	xsd:string
	xsd:whiteSpace	= value	preserve
	xsd:pattern	= value	[\d]{5}[\dA-Za-z]{1}[\dA-Za-z]{1}[\dA-Za-z]{3}(2)(2)[\d]{5}[\dA-Za-z]{3}(4500)
xsd:complexType	= name	controlFieldType	
	xsd:annotation	xsd:documentation Chinese MARC v.3 Fields 001-009	
	xsd:simpleContent		
	xsd:extension	= base	controlDataType
	xsd:attribute	= name	id
		= type	idDataType
		= use	optional
	xsd:attribute	= name	tag
		= type	controltagDataType
		= use	required
xsd:simpleType	= name	controlDataType	
	xsd:restriction	= base	xsd:string
	xsd:whiteSpace	= value	preserve
xsd:simpleType	= name	controltagDataType	
	xsd:restriction	= base	xsd:string
	xsd:whiteSpace	= value	preserve
	xsd:pattern	= value	00[1-9]{1}
xsd:complexType	= name	dataFieldType	
	xsd:annotation	xsd:documentation Chinese MARC v.3 Data Fields 010-999	
	xsd:sequence	= maxOccurs	unbounded
	xsd:element	= name	subfield
		= type	subfieldDataType
	xsd:attribute	= name	id
		= type	idDataType
		= use	optional

xsd:attribute		= name	tag
		= type	tagDataType
		= use	required
xsd:attribute		= name	ind1
		= type	indicatorDataType
		= use	required
xsd:attribute		= name	ind2
		= type	indicatorDataType
		= use	required
xsd:simpleType		= name	tagDataType
xsd:restriction		= base	xsd:string
xsd:whiteSpace		= value	preserve
xsd:pattern		= value	[010-999]
xsd:simpleType		= name	indicatorDataType
xsd:restriction		= base	xsd:string
xsd:whiteSpace		= value	preserve
xsd:pattern		= value	[\d]{1}
xsd:complexType		= name	subfielddataType
xsd:simpleContent		xsd:extension	
		= base	subfieldDataType
xsd:attribute		= name	id
		= type	idDataType
		= use	optional
xsd:attribute		= name	code
		= type	subfieldcodeDataType
		= use	required
xsd:simpleType		= name	subfieldDataType
xsd:restriction		= base	xsd:string
xsd:whiteSpace		= value	preserve
xsd:simpleType		= name	subfieldcodeDataType
xsd:restriction		= base	xsd:string
xsd:whiteSpace		= value	preserve
xsd:pattern		= value	[\da-z!"#\$\$%&'()*+,-./:;<=>?{} _ ^ ~ \v]{1}
xsd:simpleType		= name	idDataType
xsd:restriction		= base	xsd:ID

四、XML Schema 文本




```

1 <?xml version="1.0" encoding="UTF-8"?>
2 <xsd:schema elementFormDefault="qualified" attributeFormDefault="unqualified" version="1.0" xmlns:xsd="http://www.w3.org/2001/XMLSchema">
3   <xsd:annotation xml:lang="zh">
4     <xsd:documentation>
5       Chinese MARC Schema Definition
6       Prepared by Shien-chiang Yu
7       July 1, 2004 - Version 1.0 - Coding first (Initial Release)
8       方式一：簡略定義。參照MARC21之Schema定義，透過屬性id紀錄欄號、分欄之編號
9     </xsd:documentation>
10  </xsd:annotation>
11  <xsd:element name="collection" type="collectionType" nillable="true" id="collection">
12    <xsd:annotation>
13      <xsd:documentation>collection is a top level container element for 0 or many records</xsd:documentation>
14    </xsd:annotation>
15  </xsd:element>
16  <xsd:complexType name="collectionType">
17    <xsd:sequence minOccurs="0" maxOccurs="unbounded">
18      <xsd:element ref="record"/>
19    </xsd:sequence>
20    <xsd:attribute name="id" type="idDataType" use="optional"/>
21  </xsd:complexType>
22  <xsd:element name="record" type="recordType" nillable="true">
23    <xsd:annotation>
24      <xsd:documentation>record is a top level container element for all of the field elements which compose the record</xsd:documentation>
25    </xsd:annotation>
26  </xsd:element>
27  <xsd:complexType name="recordType">
28    <xsd:sequence minOccurs="0">
29      <xsd:element name="leader" type="leaderFieldType"/>
30      <xsd:element name="controlfield" type="controlFieldType" minOccurs="0" maxOccurs="unbounded"/>
31      <xsd:element name="datafield" type="dataFieldType" minOccurs="0" maxOccurs="unbounded"/>
32    </xsd:sequence>
33    <xsd:attribute name="type" type="recordTypeType" use="optional"/>
34    <xsd:attribute name="id" type="idDataType" use="optional"/>
35  </xsd:complexType>
36  <xsd:simpleType name="recordTypeType">
37    <xsd:restriction base="xsd:NMTOKEN">
38      <xsd:enumeration value="Bibliographic"/>
39      <xsd:enumeration value="Authority"/>
40      <xsd:enumeration value="Holdings"/>
41      <xsd:enumeration value="Classification"/>
42      <xsd:enumeration value="Community"/>
43    </xsd:restriction>
44  </xsd:simpleType>
45  <xsd:complexType name="leaderFieldType">
46    <xsd:annotation>
47      <xsd:documentation>Chinese MARC v.3 Leader, 24 bytes</xsd:documentation>
48    </xsd:annotation>
49    <xsd:simpleContent>
50      <xsd:extension base="leaderDataType">
51        <xsd:attribute name="id" type="idDataType" use="optional"/>
52      </xsd:extension>
53    </xsd:simpleContent>
54  </xsd:complexType>
55  <xsd:simpleType name="leaderDataType">
56    <xsd:restriction base="xsd:string">
57      <xsd:whiteSpace value="preserve"/>
58      <xsd:pattern value="[d]{5}[dA-Za-z]{1}[dA-Za-z]{1}[dA-Za-z]{3}(2l)(2l)[d]{5}[dA-Za-z]{3}(4500 )"/>
59    </xsd:restriction>
60  </xsd:simpleType>
61  <xsd:complexType name="controlFieldType">
62    <xsd:annotation>
63      <xsd:documentation>Chinese MARC v.3 Fields 001-009</xsd:documentation>
64    </xsd:annotation>
65    <xsd:simpleContent>
66      <xsd:extension base="controlDataType">
67        <xsd:attribute name="id" type="idDataType" use="optional"/>
68        <xsd:attribute name="tag" type="controltagDataType" use="required"/>
69      </xsd:extension>
70    </xsd:simpleContent>
71  </xsd:complexType>
72  <xsd:simpleType name="controlDataType">
73    <xsd:restriction base="xsd:string">
74      <xsd:whiteSpace value="preserve"/>
75    </xsd:restriction>
76  </xsd:simpleType>
77  <xsd:simpleType name="controltagDataType">

```

```

78     <xsd:restriction base="xsd:string">
79       <xsd:whiteSpace value="preserve"/>
80       <xsd:pattern value="00[1-9]{1}"/>
81     </xsd:restriction>
82   </xsd:simpleType>
83   <xsd:complexType name="dataFieldType">
84     <xsd:annotation>
85       <xsd:documentation>Chinese MARC v.3 Data Fields 010-999</xsd:documentation>
86     </xsd:annotation>
87     <xsd:sequence maxOccurs="unbounded">
88       <xsd:element name="subfield" type="subfielddataType"/>
89     </xsd:sequence>
90     <xsd:attribute name="id" type="idDataType" use="optional"/>
91     <xsd:attribute name="tag" type="tagDataType" use="required"/>
92     <xsd:attribute name="ind1" type="indicatorDataType" use="required"/>
93     <xsd:attribute name="ind2" type="indicatorDataType" use="required"/>
94   </xsd:complexType>
95   <xsd:simpleType name="tagDataType">
96     <xsd:restriction base="xsd:string">
97       <xsd:whiteSpace value="preserve"/>
98       <xsd:pattern value="010-999"/>
99     </xsd:restriction>
100  </xsd:simpleType>
101  <xsd:simpleType name="indicatorDataType">
102    <xsd:restriction base="xsd:string">
103      <xsd:whiteSpace value="preserve"/>
104      <xsd:pattern value="[vd]{1}"/>
105    </xsd:restriction>
106  </xsd:simpleType>
107  <xsd:complexType name="subfielddataType">
108    <xsd:simpleContent>
109      <xsd:extension base="subfieldDataType">
110        <xsd:attribute name="id" type="idDataType" use="optional"/>
111        <xsd:attribute name="code" type="subfieldcodeDataType" use="required"/>
112      </xsd:extension>
113    </xsd:simpleContent>
114  </xsd:complexType>
115  <xsd:simpleType name="subfieldDataType">
116    <xsd:restriction base="xsd:string">
117      <xsd:whiteSpace value="preserve"/>
118    </xsd:restriction>
119  </xsd:simpleType>
120  <xsd:simpleType name="subfieldcodeDataType">
121    <xsd:restriction base="xsd:string">
122      <xsd:whiteSpace value="preserve"/>
123      <xsd:pattern value="[da-z!&quot;#%&amp;'()*+,-./:&lt;=&gt;?{}_^-~\|\w]{1}"/>
124    </xsd:restriction>
125  </xsd:simpleType>
126  <xsd:simpleType name="idDataType">
127    <xsd:restriction base="xsd:ID"/>
128  </xsd:simpleType>
129 </xsd:schema>
130

```

貳、後續自動化系統應用之 XML Schema 定義



一、XML Schema 定義



```

<?xml version="1.0" encoding="UTF-8" ?>
<!-- edited with XMLSPY v2004 rel. 3 U (http://www.xmlspy.com) by Seljuk
(SHU) -->
- <xsd:schema elementFormDefault="qualified" attributeFormDefault="unqualified"
  version="1.0" xml:lang="zh"
  xmlns:xsd="http://www.w3.org/2001/XMLSchema"
  xmlns:ncl="http://www.ncl.edu.tw/ChineseMARC3/2004/7/1">
- <xsd:annotation>
  <xsd:documentation>Chinese MARC Schema Definition Prepared by
  Shien-chiang Yu July 1, 2004 - Version 1.0 - Coding first (Initial
  Release) 方式一：詳細定義。包括各欄號(Tag)包含之指標與分欄均逐一定義 方式二：
  完全參照MARC21 之Schema定義，透過屬性id 紀錄欄號、分欄之編號 命名規則：字首
  不可為數字，因此 1. 欄位前標記「Tag」以示區隔 2. 分欄前標記「_」以示區隔
  </xsd:documentation>
</xsd:annotation>
- <!--
      Collection：<<根元素>>包含所有書目紀錄

-->
  <xsd:element name="collection" type="collectionType" nillable="true"
    id="collection" />
- <xsd:complexType name="collectionType" id="collection">
- <xsd:sequence maxOccurs="unbounded">
  <xsd:element name="record" type="recordType" nillable="true"
    id="record" />
  </xsd:sequence>
  <xsd:attribute name="id" type="idDataType" use="optional" />
</xsd:complexType>
- <!--
      Record：包含單一書目紀錄之所有欄位內容，其下包含1. leader,
      2. controlfield, 3. datafield 三部份

-->
  <xsd:complexType name="recordType" id="record">
  - <xsd:sequence minOccurs="0">
    <xsd:element name="leader" type="leaderFieldType" />
    <xsd:element name="controlfield" type="controlFieldType" />
    <xsd:element name="datafield" type="dataFieldType" />
  </xsd:sequence>
  <xsd:attribute name="id" type="idDataType" use="optional" />
</xsd:complexType>
- <xsd:simpleType name="leaderFieldType" ncl:chiName="記錄標示"
  ncl:engName="Record Label">
- <xsd:restriction base="xsd:string">
  <xsd:length value="24" />
  <xsd:whiteSpace value="preserve" />
  <xsd:pattern value="[\d]{5}(c|d|n|o|p)[a-npru]{1}(a|c|m|s)[0-2]
    {1}(0| ) (2)(2)[\d]{5}( |1|2|3)( |n|i)( ) (450)(0| )" />
  </xsd:restriction>
</xsd:simpleType>
- <!--
      controlFieldType 特徵：不包含Indicator，tag001、005不具備分
      欄；tag009具備一分欄a

      命名規則：字首不可數字，因此欄號前標記「tag」以示區隔

-->

```

```

- <xsd:complexType name="controlFieldType" id="controlFieldType">
- <xsd:sequence>
  <xsd:element name="tag001" ncl:chiName="記錄識別欄"
    ncl:engName="Record Identifier" />
  <xsd:element name="tag005" type="xsd:dateTime" ncl:chiName="最後更新時間"
    ncl:engName="Version Identifier" />
  <xsd:element name="tag009" type="tag009Type" minOccurs="0"
    maxOccurs="unbounded" ncl:chiName="各館系統控制號"
    ncl:engName="Other System Control Numbers" />
</xsd:sequence>
</xsd:complexType>
- <xsd:complexType name="tag009Type" id="009Type">
- <xsd:sequence>
  <xsd:element name="_a" type="xsd:string" minOccurs="0"
    ncl:chiName="各館系統控制號" ncl:engName="Other Systems Control
    Number" />
</xsd:sequence>
</xsd:complexType>
- <!--
      dataFieldType (010~999)特徵：包含兩位元Indicator，具備分欄
-->
- <xsd:complexType name="dataFieldType" id="dataFieldType">
- <xsd:sequence>
  <xsd:element name="tag010" type="tag010Type" minOccurs="0"
    maxOccurs="unbounded" ncl:chiName="國際標準書號"
    ncl:engName="International Standard Book Number (ISBN)" />
  <xsd:element name="tag011" type="tag011Type" minOccurs="0"
    maxOccurs="unbounded" ncl:chiName="國際標準叢刊號"
    ncl:engName="International Standard Serial Number (ISSN)" />
  <xsd:element name="tag020" type="tag020Type" minOccurs="0"
    maxOccurs="unbounded" ncl:chiName="國家書目號"
    ncl:engName="National Bibliography Number" />
  <xsd:element name="tag021" type="tag020Type" minOccurs="0"
    maxOccurs="unbounded" ncl:chiName="送繳編號" ncl:engName="Legal
    Deposit Number" />
  <xsd:element name="tag022" type="tag020Type" minOccurs="0"
    maxOccurs="unbounded" ncl:chiName="官書編號"
    ncl:engName="Government Publication Number" />
  <xsd:element name="tag025" type="tag025Type" minOccurs="0"
    maxOccurs="unbounded" ncl:chiName="銷售號/庫存號"
    ncl:engName="Sales Number/Stock Number" />
  <xsd:element name="tag040" type="tag040Type" minOccurs="0"
    maxOccurs="unbounded" ncl:chiName="叢刊代碼" ncl:engName="CODEN
    (Serials)" />
  <xsd:element name="tag042" type="tag042Type" minOccurs="0"
    maxOccurs="unbounded" ncl:chiName="審查機構代碼"
    ncl:engName="Authentication Agency Code" />
  <xsd:element name="tag050" type="tag050Type" ncl:chiName="國立中央
    圖書館卡片號" ncl:engName="National Central Library Card Number" />
  <xsd:element name="tag071" type="tag071Type" minOccurs="0"
    maxOccurs="unbounded" ncl:chiName="出版者資料編號（適用於錄音資料與
    樂譜）" ncl:engName="Publisher's Number (Sound Recordings and
    Music)" />
  <xsd:element name="tag100" type="tag100Type" minOccurs="0"

```



```

ncl:chiName="一般性資料" ncl:engName="General Processing Data" />
<xsd:element name="tag101" type="tag101Type" ncl:chiName="作品語文"
  ncl:engName="Language of the Item" />
<xsd:element name="tag102" type="tag102Type" minOccurs="0"
  ncl:chiName="出版國別" ncl:engName="Country of Publication or
  Production" />
<xsd:element name="tag105" type="tag105Type" minOccurs="0"
  ncl:chiName="資料代碼欄：圖書、善本書" ncl:engName="Coded Data
  Field : Textual Material, Monographic, Chinese Rare Book" />
<xsd:element name="tag106" type="tag106Type" minOccurs="0"
  ncl:chiName="資料代碼欄：文字資料形式特性" ncl:engName="Coded Data
  Field : Textual Materials – Physical Attributes" />
<xsd:element name="tag110" type="tag110Type" minOccurs="0"
  ncl:chiName="資料代碼欄：連續性出版品" ncl:engName="Coded Data
  Field : Serials" />
<xsd:element name="tag115" type="tag115Type" minOccurs="0"
  maxOccurs="unbounded" ncl:chiName="資料代碼欄：投影資料、錄影資料、
  影片" ncl:engName="Coded Data Fields : Visual Projections,
  Videorecordings and Motion Pictures" />
<xsd:element name="tag116" type="tag116Type" minOccurs="0"
  maxOccurs="unbounded" ncl:chiName="資料代碼欄：圖片"
  ncl:engName="Coded Data Field : Graphics" />
<xsd:element name="tag120" type="tag120Type" ncl:chiName="資料代碼
  欄：地圖資料—一般性" ncl:engName="Coded Data Field : Cartographic
  Materials – General" />
<xsd:element name="tag121" type="tag121Type" minOccurs="0"
  ncl:chiName="資料代碼欄：地圖資料形式特性" ncl:engName="Coded Data
  Field : Cartographic Materials : Physical Attributes" />
<xsd:element name="tag122" type="tag122Type" minOccurs="0"
  maxOccurs="unbounded" ncl:chiName="資料代碼欄：作品涵蓋時間"
  ncl:engName="Coded Data Field : Time Period of Item Content" />
<xsd:element name="tag123" type="tag123Type"
  maxOccurs="unbounded" ncl:chiName="資料代碼欄：地圖資料—比例尺與座
  標" ncl:engName="Coded Data Field : Cartographic Materials – Scale
  and Co-ordinates" />
<xsd:element name="tag124" type="tag124Type" minOccurs="0"
  maxOccurs="unbounded" ncl:chiName="資料代碼欄：地圖資料—特殊資料類
  型" ncl:engName="Coded Data Field : Cartographic Materials –
  Specific Material Designation Analysis" />
<xsd:element name="tag125" type="tag125Type" minOccurs="0"
  ncl:chiName="資料代碼欄：樂譜資料與非音樂性錄音資料"
  ncl:engName="Coded Data Field : Sound Recordings and Printed
  Music" />
<xsd:element name="tag126" type="tag126Type" minOccurs="0"
  ncl:chiName="資料代碼欄：錄音資料形式特性" ncl:engName="Coded Data
  Field : Sound Recordings – Physical Attributes" />
<xsd:element name="tag127" type="tag127Type" minOccurs="0"
  ncl:chiName="資料代碼欄：錄音資料播放或樂譜演奏之時間"
  ncl:engName="Coded Data Field : Duration of Sound Recordings and
  Printed Music" />
<xsd:element name="tag128" type="tag128Type" minOccurs="0"
  maxOccurs="unbounded" ncl:chiName="資料代碼欄：音樂演奏作品"
  ncl:engName="Coded Data Field : Music Performances and
  Scores" />

```

```

<xsd:element name="tag129" type="tag129Type" minOccurs="0"
  ncl:chiName="資料代碼欄：拓片" ncl:engName="Coded Data Field :
  Rubbings" />
<xsd:element name="tag130" type="tag130Type" minOccurs="0"
  maxOccurs="unbounded" ncl:chiName="資料代碼欄：縮影資料形式特性"
  ncl:engName="Coded Data Field : Microforms – Physical
  Attributes" />
<xsd:element name="tag131" type="tag131Type" minOccurs="0"
  ncl:chiName="資料代碼欄：地圖資料—大地、網格、垂直測量"
  ncl:engName="Coded Data Field : Cartographic Materials – Geodetic,
  Grid and Vertical Measurement" />
<xsd:element name="tag135" type="tag135Type" minOccurs="0"
  maxOccurs="unbounded" ncl:chiName="資料代碼欄：電腦檔"
  ncl:engName="Coded Data Field : Electronic Resources" />
<xsd:element name="tag200" type="tag200Type" ncl:chiName="題名及著
  者敘述項" ncl:engName="Title and Statement of Responsibility" />
<xsd:element name="tag204" type="tag204Type" minOccurs="0"
  maxOccurs="unbounded" ncl:chiName="資料類型標示"
  ncl:engName="General Material Designation" />
<xsd:element name="tag205" type="tag205Type" minOccurs="0"
  maxOccurs="unbounded" ncl:chiName="版本項" ncl:engName="Edition
  Statement" />
<xsd:element name="tag206" type="tag206Type" minOccurs="0"
  maxOccurs="unbounded" ncl:chiName="資料特殊細節項：地圖資料—製圖細
  節" ncl:engName="Material Specific Area : Cartographic Materials –
  Mathematical Data" />
<xsd:element name="tag207" type="tag207Type" minOccurs="0"
  ncl:chiName="資料特殊細節項：連續性出版品—卷期編次"
  ncl:engName="Material Specific Area : Serials Numbering" />
<xsd:element name="tag208" type="tag208Type" minOccurs="0"
  ncl:chiName="資料特殊細節項：樂譜形式" ncl:engName="Material Specific
  Area : Printed Music Specific Statement" />
<xsd:element name="tag209" type="tag209Type" minOccurs="0"
  ncl:chiName="資料特殊細節項：電腦檔" ncl:engName="Material Specific
  Area : Electronic Resource" />
<xsd:element name="tag210" type="tag210Type" minOccurs="0"
  ncl:chiName="出版項" ncl:engName="Publication, Distribution, etc." />
<xsd:element name="tag211" type="tag211Type" minOccurs="0"
  ncl:chiName="預定出版日期" ncl:engName="Projected Publication
  Date" />
<xsd:element name="tag215" type="tag215Type" minOccurs="0"
  maxOccurs="unbounded" ncl:chiName="稽核項" ncl:engName="Physical
  Description" />
<xsd:element name="tag225" type="tag225Type" minOccurs="0"
  maxOccurs="unbounded" ncl:chiName="集叢項"
  ncl:engName="Series" />
<xsd:element name="tag300" type="tag300Type" minOccurs="0"
  maxOccurs="unbounded" ncl:chiName="一般註" ncl:engName="General
  Notes" />
<xsd:element name="tag301" type="tag300Type" minOccurs="0"
  maxOccurs="unbounded" ncl:chiName="識別號碼註"
  ncl:engName="Notes Pertaining to Identification Numbers" />
<xsd:element name="tag302" type="tag300Type" minOccurs="0"
  maxOccurs="unbounded" ncl:chiName="代碼資料註"
  ncl:engName="Notes Pertaining to Coded Information" />

```

```

<xsd:element name="tag303" type="tag300Type" minOccurs="0"
  maxOccurs="unbounded" ncl:chiName="著錄依據註"
  ncl:engName="General Notes Pertaining to Descriptive
  Information" />
<xsd:element name="tag304" type="tag300Type" minOccurs="0"
  maxOccurs="unbounded" ncl:chiName="題名及著者敘述項註"
  ncl:engName="Notes Pertaining to Title and Statement of
  Responsibility" />
<xsd:element name="tag305" type="tag300Type" minOccurs="0"
  maxOccurs="unbounded" ncl:chiName="版本項及書目歷史註"
  ncl:engName="Notes Pertaining to Edition and Bibliographic
  History" />
<xsd:element name="tag306" type="tag300Type" minOccurs="0"
  maxOccurs="unbounded" ncl:chiName="出版項註" ncl:engName="Notes
  Pertaining to Publication, Distribution, etc." />
<xsd:element name="tag307" type="tag300Type" minOccurs="0"
  maxOccurs="unbounded" ncl:chiName="稽核項註" ncl:engName="Notes
  Pertaining to Physical Description" />
<xsd:element name="tag308" type="tag300Type" minOccurs="0"
  maxOccurs="unbounded" ncl:chiName="集叢項註" ncl:engName="Notes
  Pertaining to Series" />
<xsd:element name="tag310" type="tag300Type" minOccurs="0"
  maxOccurs="unbounded" ncl:chiName="裝訂及發行性質註"
  ncl:engName="Notes Pertaining to Binding and Availability" />
<xsd:element name="tag311" type="tag300Type" minOccurs="0"
  maxOccurs="unbounded" ncl:chiName="連接欄註" ncl:engName="Notes
  Pertaining to Linking Fields" />
<xsd:element name="tag312" type="tag300Type" minOccurs="0"
  maxOccurs="unbounded" ncl:chiName="相關題名註"
  ncl:engName="Notes Pertaining to Related Titles" />
<xsd:element name="tag314" type="tag300Type" minOccurs="0"
  maxOccurs="unbounded" ncl:chiName="著者註" ncl:engName="Notes
  Pertaining to Intellectual Responsibility" />
<xsd:element name="tag315" type="tag300Type" minOccurs="0"
  maxOccurs="unbounded" ncl:chiName="特殊細節註"
  ncl:engName="Notes Pertaining to Material (or Type of Publication)
  Specific Information" />
<xsd:element name="tag316" type="tag300Type" minOccurs="0"
  maxOccurs="unbounded" ncl:chiName="卷數註" ncl:engName="Notes
  Pertaining to Number of Chuan" />
<xsd:element name="tag320" type="tag300Type" minOccurs="0"
  maxOccurs="unbounded" ncl:chiName="書目、索引、附錄等註"
  ncl:engName="Internal Bibliographies/Indexes Note" />
<xsd:element name="tag321" type="tag321Type" minOccurs="0"
  maxOccurs="unbounded" ncl:chiName="被索引、摘要及引用註"
  ncl:engName="External Indexes/Abstracts/References Note" />
<xsd:element name="tag322" type="tag300Type" minOccurs="0"
  ncl:chiName="演出者註 (適用於放映、錄影、錄音資料)" ncl:engName="Cast
  Note (Projected and Video Material and Sound Recordings)" />
<xsd:element name="tag323" type="tag300Type" minOccurs="0"
  maxOccurs="unbounded" ncl:chiName="演出者註 (適用於放映、錄影、錄音
  資料)" ncl:engName="Cast Note (Projected and Video Material and
  Sound Recordings)" />
<xsd:element name="tag324" type="tag300Type" minOccurs="0"
  ncl:chiName="影鈔註" ncl:engName="Facsimile Note" />

```

```

<xsd:element name="tag326" type="tag326Type" minOccurs="0"
  maxOccurs="unbounded" ncl:chiName="刊期註"
  ncl:engName="Frequency Statement Note (Serials)" />
<xsd:element name="tag327" type="tag327Type" minOccurs="0"
  ncl:chiName="內容註" ncl:engName="Contents Note" />
<xsd:element name="tag328" type="tag300Type" minOccurs="0"
  maxOccurs="unbounded" ncl:chiName="學位論文註"
  ncl:engName="Dissertation (Thesis) Note" />
<xsd:element name="tag330" type="tag300Type" minOccurs="0"
  maxOccurs="unbounded" ncl:chiName="提要註"
  ncl:engName="Summary or Abstract" />
<xsd:element name="tag333" type="tag300Type" minOccurs="0"
  maxOccurs="unbounded" ncl:chiName="使用者／適用對象註"
  ncl:engName="Users/Intended Audience Note" />
<xsd:element name="tag336" type="tag300Type" minOccurs="0"
  maxOccurs="unbounded" ncl:chiName="電腦檔資料型式註"
  ncl:engName="Type of Electronic Resource Note" />
<xsd:element name="tag337" type="tag300Type" minOccurs="0"
  maxOccurs="unbounded" ncl:chiName="技術細節註 (電腦檔)"
  ncl:engName="Technical Details Note (Electronic Resource)" />
<xsd:element name="tag339" type="tag300Type" minOccurs="0"
  maxOccurs="unbounded" ncl:chiName="館藏註" ncl:engName="Holdings
  Note" />
<xsd:element name="tag345" type="tag345Type" minOccurs="0"
  ncl:chiName="採訪資料註" ncl:engName="Acquisition Information
  Note" />
<xsd:element name="tag410" type="tag400Type" minOccurs="0"
  maxOccurs="unbounded" ncl:chiName="集叢" ncl:engName="Series" />
<xsd:element name="tag411" type="tag400Type" minOccurs="0"
  maxOccurs="unbounded" ncl:chiName="附屬集叢"
  ncl:engName="Subseries" />
<xsd:element name="tag421" type="tag400Type" minOccurs="0"
  maxOccurs="unbounded" ncl:chiName="補篇"
  ncl:engName="Supplement" />
<xsd:element name="tag422" type="tag400Type" minOccurs="0"
  maxOccurs="unbounded" ncl:chiName="本篇" ncl:engName="Parent of
  Supplement" />
<xsd:element name="tag423" type="tag400Type" minOccurs="0"
  maxOccurs="unbounded" ncl:chiName="合刊、合訂"
  ncl:engName="Issued with" />
<xsd:element name="tag430" type="tag400Type" minOccurs="0"
  maxOccurs="unbounded" ncl:chiName="繼續"
  ncl:engName="Continues" />
<xsd:element name="tag431" type="tag400Type" minOccurs="0"
  maxOccurs="unbounded" ncl:chiName="衍自" ncl:engName="Continues
  in Part" />
<xsd:element name="tag434" type="tag400Type" minOccurs="0"
  maxOccurs="unbounded" ncl:chiName="合併"
  ncl:engName="Absorbed" />
<xsd:element name="tag435" type="tag400Type" minOccurs="0"
  maxOccurs="unbounded" ncl:chiName="部份合併"
  ncl:engName="Absorbed in Part" />
<xsd:element name="tag436" type="tag400Type" minOccurs="0"
  maxOccurs="unbounded" ncl:chiName="由____及____合併而成"
  ncl:engName="Formed by Merger of ..., ..., and ..." />

```

```

<xsd:element name="tag440" type="tag400Type" minOccurs="0"
  maxOccurs="unbounded" ncl:chiName="改名" ncl:engName="Continued
  by" />
<xsd:element name="tag441" type="tag400Type" minOccurs="0"
  maxOccurs="unbounded" ncl:chiName="部份衍成"
  ncl:engName="Continued in Part by" />
<xsd:element name="tag444" type="tag400Type" minOccurs="0"
  maxOccurs="unbounded" ncl:chiName="併入" ncl:engName="Absorbed
  by" />
<xsd:element name="tag445" type="tag400Type" minOccurs="0"
  maxOccurs="unbounded" ncl:chiName="部份併入"
  ncl:engName="Absorbed in Part by" />
<xsd:element name="tag446" type="tag400Type" minOccurs="0"
  maxOccurs="unbounded" ncl:chiName="衍成" ncl:engName="Split
  into..., ..., and ..." />
<xsd:element name="tag447" type="tag400Type" minOccurs="0"
  maxOccurs="unbounded" ncl:chiName="與____及____合併成____"
  ncl:engName="Merged with ... and ... to Form ..." />
<xsd:element name="tag448" type="tag400Type" minOccurs="0"
  maxOccurs="unbounded" ncl:chiName="恢復原題名"
  ncl:engName="Changed Back to" />
<xsd:element name="tag451" type="tag400Type" minOccurs="0"
  maxOccurs="unbounded" ncl:chiName="同一媒體之其他版本"
  ncl:engName="Other Edition in The Same Medium" />
<xsd:element name="tag452" type="tag400Type" minOccurs="0"
  maxOccurs="unbounded" ncl:chiName="不同一媒體之其他版本"
  ncl:engName="Other Edition in Another Medium" />
<xsd:element name="tag453" type="tag400Type" minOccurs="0"
  maxOccurs="unbounded" ncl:chiName="譯作"
  ncl:engName="Translated as" />
<xsd:element name="tag454" type="tag400Type" minOccurs="0"
  maxOccurs="unbounded" ncl:chiName="譯自"
  ncl:engName="Translation of" />
<xsd:element name="tag461" type="tag400Type" minOccurs="0"
  maxOccurs="unbounded" ncl:chiName="總集" ncl:engName="Set" />
<xsd:element name="tag462" type="tag400Type" minOccurs="0"
  maxOccurs="unbounded" ncl:chiName="分集" ncl:engName="Subset" />
<xsd:element name="tag463" type="tag400Type" minOccurs="0"
  maxOccurs="unbounded" ncl:chiName="單冊" ncl:engName="Piece" />
<xsd:element name="tag464" type="tag400Type" minOccurs="0"
  maxOccurs="unbounded" ncl:chiName="單冊分析" ncl:engName="Piece
  -Analytic" />
<xsd:element name="tag488" type="tag400Type" minOccurs="0"
  maxOccurs="unbounded" ncl:chiName="其他相關作品"
  ncl:engName="Other Related Work" />
<xsd:element name="tag500" type="tag500Type" minOccurs="0"
  maxOccurs="unbounded" ncl:chiName="劃一題名"
  ncl:engName="Uniform Title" />
<xsd:element name="tag501" type="tag501Type" minOccurs="0"
  maxOccurs="unbounded" ncl:chiName="總集劃一題名"
  ncl:engName="Collective Uniform Title" />
<xsd:element name="tag503" type="tag503Type" minOccurs="0"
  maxOccurs="unbounded" ncl:chiName="劃一習用標目"
  ncl:engName="Uniform Conventional Heading" />
<xsd:element name="tag510" type="tag510Type" minOccurs="0"

```

```

maxOccurs="unbounded" ncl:chiName="並列題名" ncl:engName="Parallel
Title Proper" />
<xsd:element name="tag512" type="tag512Type" minOccurs="0"
maxOccurs="unbounded" ncl:chiName="封面題名" ncl:engName="Cover
Title" />
<xsd:element name="tag513" type="tag513Type" minOccurs="0"
maxOccurs="unbounded" ncl:chiName="附加書名頁題名"
ncl:engName="Added Title-page Title" />
<xsd:element name="tag514" type="tag514Type" minOccurs="0"
maxOccurs="unbounded" ncl:chiName="卷端題名"
ncl:engName="Caption Title" />
<xsd:element name="tag515" type="tag515Type" minOccurs="0"
maxOccurs="unbounded" ncl:chiName="逐頁題名"
ncl:engName="Running Title" />
<xsd:element name="tag516" type="tag516Type" minOccurs="0"
maxOccurs="unbounded" ncl:chiName="書背題名" ncl:engName="Spine
Title" />
<xsd:element name="tag517" type="tag517Type" minOccurs="0"
maxOccurs="unbounded" ncl:chiName="其他題名" ncl:engName="Other
Variant Titles" />
<xsd:element name="tag520" type="tag520Type" minOccurs="0"
maxOccurs="unbounded" ncl:chiName="舊題名（適用於連續性出版品）"
ncl:engName="Former Title (Serials)" />
<xsd:element name="tag530" type="tag530Type" minOccurs="0"
maxOccurs="unbounded" ncl:chiName="識別題名（適用於連續性出版品）"
ncl:engName="Key Title (Serials)" />
<xsd:element name="tag531" type="tag531Type" minOccurs="0"
maxOccurs="unbounded" ncl:chiName="簡略題名（適用於連續性出版品）"
ncl:engName="Abbreviated Title (Serials)" />
<xsd:element name="tag532" type="tag532Type" minOccurs="0"
maxOccurs="unbounded" ncl:chiName="完整題名"
ncl:engName="Expanded Title" />
<xsd:element name="tag540" type="tag540Type" minOccurs="0"
maxOccurs="unbounded" ncl:chiName="編目員附加題名"
ncl:engName="Additional Title Supplied by Cataloguer" />
<xsd:element name="tag541" type="tag541Type" minOccurs="0"
maxOccurs="unbounded" ncl:chiName="編目員翻譯題名"
ncl:engName="Translated Title Supplied by Cataloguer" />
<xsd:element name="tag600" type="tag600Type" minOccurs="0"
maxOccurs="unbounded" ncl:chiName="人名標題"
ncl:engName="Personal Name Used as Subject" />
<xsd:element name="tag601" type="tag601Type" minOccurs="0"
maxOccurs="unbounded" ncl:chiName="團體名稱標題"
ncl:engName="Corporate Body Name Used as Subject" />
<xsd:element name="tag602" type="tag602Type" minOccurs="0"
maxOccurs="unbounded" ncl:chiName="家族名稱標題"
ncl:engName="Family Name Used as Subject" />
<xsd:element name="tag604" type="tag604Type" minOccurs="0"
maxOccurs="unbounded" ncl:chiName="著者／題名標題"
ncl:engName="Name and Title Used as Subject" />
<xsd:element name="tag605" type="tag605Type" minOccurs="0"
maxOccurs="unbounded" ncl:chiName="題名標題" ncl:engName="Title
Used as Subject" />
<xsd:element name="tag606" type="tag606Type" minOccurs="0"
maxOccurs="unbounded" ncl:chiName="主題標題"

```

```

ncl:engName="Topical Name Used as Subject" />
<xsd:element name="tag607" type="tag606Type" minOccurs="0"
maxOccurs="unbounded" ncl:chiName="地名標題"
ncl:engName="Geographical Name Used as Subject" />
<xsd:element name="tag608" type="tag608Type" minOccurs="0"
maxOccurs="unbounded" ncl:chiName="輔助檢索項 (善本書)"
ncl:engName="Auxiliary Access Field (for Chinese Rare Books
Only)" />
<xsd:element name="tag610" type="tag610Type" minOccurs="0"
maxOccurs="unbounded" ncl:chiName="非控制主題詞彙"
ncl:engName="Uncontrolled Subject Terms" />
<xsd:element name="tag620" type="tag620Type" minOccurs="0"
maxOccurs="unbounded" ncl:chiName="輔助檢索項 (出版地、製作地等)"
ncl:engName="Place Access" />
<xsd:element name="tag626" type="tag626Type" minOccurs="0"
maxOccurs="unbounded" ncl:chiName="技術細節檢索項 (電腦檔)"
ncl:engName="Technical Details Access (Electronic Resources)" />
<xsd:element name="tag660" type="tag660Type" minOccurs="0"
maxOccurs="unbounded" ncl:chiName="地區代碼"
ncl:engName="Geographic Area Code (GAC)" />
<xsd:element name="tag661" type="tag661Type" minOccurs="0"
maxOccurs="unbounded" ncl:chiName="年代代碼" ncl:engName="Time
Period Code" />
<xsd:element name="tag670" type="tag670Type" minOccurs="0"
maxOccurs="unbounded" ncl:chiName="前後關係索引法"
ncl:engName="Precis" />
<xsd:element name="tag675" type="tag675Type" minOccurs="0"
maxOccurs="unbounded" ncl:chiName="國際十進分類號"
ncl:engName="Universal Decimal Classification (UDC)" />
<xsd:element name="tag676" type="tag676Type" minOccurs="0"
maxOccurs="unbounded" ncl:chiName="杜威十進分類號"
ncl:engName="Dewey Decimal Classification (DDC)" />
<xsd:element name="tag680" type="tag680Type" minOccurs="0"
maxOccurs="unbounded" ncl:chiName="美國國會圖書館分類號"
ncl:engName="Library of Congress Classification" />
<xsd:element name="tag681" type="tag681Type" minOccurs="0"
maxOccurs="unbounded" ncl:chiName="中國圖書館分類號"
ncl:engName="Chinese Classification Scheme (CCS)" />
<xsd:element name="tag682" type="tag680Type" minOccurs="0"
maxOccurs="unbounded" ncl:chiName="農業資料中心分類號"
ncl:engName="Agricultural Science Information Center (ASIC)
Classification Scheme" />
<xsd:element name="tag686" type="tag680Type" minOccurs="0"
maxOccurs="unbounded" ncl:chiName="美國國立醫學圖書館分類號"
ncl:engName="National Library of Medicine Classification" />
<xsd:element name="tag687" type="tag687Type" minOccurs="0"
maxOccurs="unbounded" ncl:chiName="其他分類號"
ncl:engName="Other Class Numbers" />
<xsd:element name="tag700" type="tag700Type" minOccurs="0"
maxOccurs="unbounded" ncl:chiName="人名—主要著者"
ncl:engName="Personal Name—Primary Intellectual
Responsibility" />
<xsd:element name="tag770" type="tag770Type" minOccurs="0"
ncl:chiName="人名 (羅馬拼音/中譯作品之著者原名)—主要著者"

```

```

ncl:engName="Personal Name (Romanization/Original Name of
Translated Works) – Primary Intellectual Responsibility" />
<xsd:element name="tag701" type="tag700Type" minOccurs="0"
maxOccurs="unbounded" ncl:chiName="人名—合著者或其他相當主要著者"
ncl:engName="Personal Name—Alternative Intellectual
Responsibility" />
<xsd:element name="tag771" type="tag770Type" minOccurs="0"
maxOccurs="unbounded" ncl:chiName="人名(羅馬拼音/中譯作品之著者原
名)—合著者或其他相當主要著者" ncl:engName="Personal Name
(Romanization/Original Name of Translated Works) – Alternative
Intellectual Responsibility" />
<xsd:element name="tag702" type="tag702Type" minOccurs="0"
maxOccurs="unbounded" ncl:chiName="人名—輔助著者"
ncl:engName="Personal Name—Secondary Intellectual
Responsibility" />
<xsd:element name="tag772" type="tag770Type" minOccurs="0"
maxOccurs="unbounded" ncl:chiName="人名(羅馬拼音/中譯作品之著者原
名)—輔助著者" ncl:engName="Personal Name (Romanization/
Original Name of Translated Works) – Secondary Intellectual
Responsibility" />
<xsd:element name="tag710" type="tag710Type" minOccurs="0"
ncl:chiName="團體名稱—主要著者" ncl:engName="" />
<xsd:element name="tag780" type="tag780Type" minOccurs="0"
ncl:chiName="團體名稱(羅馬拼音/中譯作品之著者原名)—主要著者"
ncl:engName="Corporate Body Name (Romanization/Original Name
of Translated Works) – Primary Intellectual Responsibility" />
<xsd:element name="tag711" type="tag710Type" minOccurs="0"
maxOccurs="unbounded" ncl:chiName="團體名稱—合著者或其他相當主要著
者" ncl:engName="Corporate Body Name—Alternative Intellectual
Responsibility" />
<xsd:element name="tag781" type="tag780Type" minOccurs="0"
maxOccurs="unbounded" ncl:chiName="團體名稱(羅馬拼音/中譯作品之著
者原名)合著者或其他相當主要著者" ncl:engName="Corporate Body Name
(Romanization/Original Name of Translated Work) – Alternative
Intellectual Responsibility" />
<xsd:element name="tag712" type="tag712Type" minOccurs="0"
maxOccurs="unbounded" ncl:chiName="團體名稱—輔助著者"
ncl:engName="Corporate Body Name—Secondary Intellectual
Responsibility" />
<xsd:element name="tag782" type="tag780Type" minOccurs="0"
maxOccurs="unbounded" ncl:chiName="團體名稱(羅馬拼音/中譯作品之著
者原名)—輔助著者" ncl:engName="Corporate Body Name
(Romanization/Original Name of Translated Works) – Secondary
Intellectual Responsibility" />
<xsd:element name="tag720" type="tag720Type" minOccurs="0"
ncl:chiName="家族名稱—主要著者" ncl:engName="Family Name—Primary
Intellectual Responsibility" />
<xsd:element name="tag790" type="tag720Type" minOccurs="0"
ncl:chiName="家族名稱(羅馬拼音/中譯作品之著者原名)—主要著者"
ncl:engName="Family Name (Romanization/Original Name of
Translated Works) – Primary Intellectual Responsibility" />
<xsd:element name="tag721" type="tag720Type" minOccurs="0"
maxOccurs="unbounded" ncl:chiName="家族名稱—合著者或其他相當主要著
者" ncl:engName="Family Name—Alternative Intellectual

```



```

Responsibility" />
  <xsd:element name="tag791" type="tag720Type" minOccurs="0"
    maxOccurs="unbounded" ncl:chiName="家族名稱（羅馬拼音／中譯作品之著
    者原名）－合著者或其他相當主要著者" ncl:engName="Family Name
    （Romanization/Original Name of Translated Works）－Alternative
    Intellectual Responsibility" />
  <xsd:element name="tag722" type="tag720Type" minOccurs="0"
    maxOccurs="unbounded" ncl:chiName="家族名稱－輔助著者"
    ncl:engName="Family Name－Secondary Intellectual
    Responsibility" />
  <xsd:element name="tag792" type="tag720Type" minOccurs="0"
    maxOccurs="unbounded" ncl:chiName="家族名稱（羅馬拼音／中譯作品之著
    者原名）－輔助著者" ncl:engName="Family Name（Romanization/
    Original Name of Translated Works）－Secondary Intellectual
    Responsibility" />
  <xsd:element name="tag801" type="tag801Type" minOccurs="0"
    maxOccurs="unbounded" ncl:chiName="出處欄"
    ncl:engName="Originating Source" />
  <xsd:element name="tag802" type="tag802Type" minOccurs="0"
    ncl:chiName="國際叢刊資料系統中心" ncl:engName="ISDS Centre" />
  <xsd:element name="tag805" type="tag805Type" minOccurs="0"
    maxOccurs="unbounded" ncl:chiName="館藏記錄" ncl:engName="Local
    Library Holdings" />
</xsd:sequence>
</xsd:complexType>
- <!--

```

** 分欄定義 **

```

-->
- <xsd:complexType name="tag010Type" id="010Type">
- <xsd:sequence>
  <xsd:element name="_a" ncl:chiName="號碼" ncl:engName="Number
    (ISBN)" />
  <xsd:element name="_b" minOccurs="0" ncl:chiName="裝訂及其他區別字樣"
    ncl:engName="Qualification" />
  <xsd:element name="_c" minOccurs="0" ncl:chiName="發行性質／價格"
    ncl:engName="Terms of Availability and/or Price" />
  <xsd:element name="_z" minOccurs="0" maxOccurs="unbounded"
    ncl:chiName="取消／錯誤號碼" ncl:engName="Erroneous ISBN" />
</xsd:sequence>
  <xsd:attribute name="ind1" type="indicatorDataType" use="required" />
  <xsd:attribute name="ind2" use="required" fixed="" />
</xsd:complexType>
- <xsd:complexType name="tag011Type" id="011Type">
- <xsd:sequence>
  <xsd:element name="_a" minOccurs="0" ncl:chiName="號碼"
    ncl:engName="Number（ISSN）" />
  <xsd:element name="_b" minOccurs="0" ncl:chiName="裝訂及其他區別字樣"
    ncl:engName="Qualification" />
  <xsd:element name="_d" minOccurs="0" ncl:chiName="發行性質／價格"
    ncl:engName="Terms of Availability and/or Price" />
  <xsd:element name="_y" minOccurs="0" maxOccurs="unbounded"
    ncl:chiName="取消之號碼" ncl:engName="Cancelled ISSN" />
  <xsd:element name="_z" minOccurs="0" maxOccurs="unbounded"

```

```

ncl:chiName="錯誤號碼" ncl:engName="Erroneous ISSN" />
</xsd:sequence>
<xsd:attribute name="ind1" type="indicatorDataType" use="required" />
<xsd:attribute name="ind2" use="required" fixed="" />
</xsd:complexType>
<!-- type tag020 提供欄號020、021、022共用 -->
- <xsd:complexType name="tag020Type" id="020Type">
- <xsd:sequence>
  <xsd:element name="_a" minOccurs="0" ncl:chiName="國家代碼"
    ncl:engName="Country Code" />
  <xsd:element name="_b" minOccurs="0" ncl:chiName="號碼"
    ncl:engName="Number" />
  <xsd:element name="_z" minOccurs="0" maxOccurs="unbounded"
    ncl:chiName="取消/錯誤號碼" ncl:engName="Erroneous Number" />
</xsd:sequence>
<xsd:attribute name="ind1" use="required" fixed="" />
<xsd:attribute name="ind2" use="required" fixed="" />
</xsd:complexType>
- <xsd:complexType name="tag025Type" id="025Type">
- <xsd:sequence>
  <xsd:element name="_a" minOccurs="0" maxOccurs="unbounded"
    ncl:chiName="銷售號、庫存號及其他字樣" ncl:engName="Sales Number /
    Stock Number" />
  <xsd:element name="_b" minOccurs="0" ncl:chiName="來源(編號機構)"
    ncl:engName="Source (agency assigning number)" />
  <xsd:element name="_z" minOccurs="0" maxOccurs="unbounded"
    ncl:chiName="取消/錯誤號碼" ncl:engName="Cancelled / invalid
    number" />
</xsd:sequence>
<xsd:attribute name="ind1" use="required" fixed="" />
<xsd:attribute name="ind2" use="required" fixed="" />
</xsd:complexType>
- <xsd:complexType name="tag040Type" id="040Type">
- <xsd:sequence>
  <xsd:element name="_a" minOccurs="0" ncl:chiName="叢刊代碼"
    ncl:engName="CODEN" />
  <xsd:element name="_z" minOccurs="0" maxOccurs="unbounded"
    ncl:chiName="錯誤號碼" ncl:engName="Erroneous CODEN" />
</xsd:sequence>
<xsd:attribute name="ind1" use="required" fixed="" />
<xsd:attribute name="ind2" use="required" fixed="" />
</xsd:complexType>
- <xsd:complexType name="tag042Type" id="042Type">
- <xsd:sequence>
  <xsd:element name="_a" minOccurs="0" maxOccurs="unbounded"
    ncl:chiName="機構代碼" ncl:engName="Authentication Agency Code" />
</xsd:sequence>
<xsd:attribute name="ind1" use="required" fixed="" />
<xsd:attribute name="ind2" use="required" fixed="" />
</xsd:complexType>
- <xsd:complexType name="tag050Type" id="050Type">
- <xsd:sequence>
  <xsd:element name="_a" minOccurs="0" ncl:chiName="號碼"
    ncl:engName="NCL Card Number" />
  <xsd:element name="_z" minOccurs="0" maxOccurs="unbounded"

```

```

ncl:chiName="取消／錯誤號碼" ncl:engName="Erroneous Number" />
</xsd:sequence>
<xsd:attribute name="ind1" use="required" fixed="" />
<xsd:attribute name="ind2" use="required" fixed="" />
</xsd:complexType>
- <xsd:complexType name="tag071Type" id="071Type">
- <xsd:sequence>
  <xsd:element name="_a" minOccurs="0" ncl:chiName="出版者資料編號"
    ncl:engName="Publisher's Number" />
  <xsd:element name="_b" minOccurs="0" ncl:chiName="來源"
    ncl:engName="Source" />
</xsd:sequence>
<xsd:attribute name="ind1" type="indicatorDataType" use="required" />
<xsd:attribute name="ind2" type="indicatorDataType" use="required" />
</xsd:complexType>
- <!--

1 xx 「代碼資料段」欄位內容宣告

-->
- <xsd:complexType name="tag100Type" id="100Type">
- <xsd:sequence>
  <xsd:element name="_a" type="tag100aFieldType" ncl:chiName="一般性
    資料" ncl:engName="General Processing Data" />
</xsd:sequence>
<xsd:attribute name="ind1" use="required" fixed="" />
<xsd:attribute name="ind2" use="required" fixed="" />
</xsd:complexType>
- <xsd:simpleType name="tag100aFieldType">
- <xsd:restriction base="xsd:string">
  <xsd:length value="35" />
  <xsd:whiteSpace value="preserve" />
  <xsd:pattern value="[\d]{8}[a-gy]{1}[\d| ]{4}[\d| ]{4}[a-zA-z]{3}
    [a-huyz]{1}(0|1)[a-z]{3}(a|b|c|y)(01|02|03|04|05|06|09)[\da-
    zA-Z]{4}[a-lz]{1}" />
</xsd:restriction>
</xsd:simpleType>
- <xsd:complexType name="tag101Type" id="101Type">
- <xsd:sequence>
  <xsd:element name="_a" minOccurs="0" maxOccurs="unbounded"
    ncl:chiName="正文語文" ncl:engName="Language of Text" />
  <xsd:element name="_b" minOccurs="0" maxOccurs="unbounded"
    ncl:chiName="據以翻譯之譯文語文" ncl:engName="Language of
    Intermediate Text when Item is Not Translated from Original" />
  <xsd:element name="_c" minOccurs="0" maxOccurs="unbounded"
    ncl:chiName="原文" ncl:engName="Language of Original Work" />
  <xsd:element name="_d" minOccurs="0" maxOccurs="unbounded"
    ncl:chiName="提要語文" ncl:engName="Language of Summary" />
  <xsd:element name="_e" minOccurs="0" maxOccurs="unbounded"
    ncl:chiName="目次語文" ncl:engName="Language of Contents Page" />
  <xsd:element name="_f" minOccurs="0" maxOccurs="unbounded"
    ncl:chiName="題名頁語文（別於正文時）" ncl:engName="Language of Title
    Page if Different from Text" />
  <xsd:element name="_g" minOccurs="0" ncl:chiName="正題名語文（如非正
    文語文）" ncl:engName="Language of Title Proper if Not First

```

```

Language of Text" />
  <xsd:element name="_h" minOccurs="0" maxOccurs="unbounded"
    ncl:chiName="歌詞語文（適用於錄音及文字資料並存時）"
    ncl:engName="Language of Libretto, etc." />
  <xsd:element name="_i" minOccurs="0" maxOccurs="unbounded"
    ncl:chiName="附件語文（別於摘要、歌詞時）" ncl:engName="Language of
Accompanying Material (Other than Summaries, Abstracts or
Librettos)" />
  <xsd:element name="_j" minOccurs="0" maxOccurs="unbounded"
    ncl:chiName="影片字幕語文" ncl:engName="Language of Subtitles" />
</xsd:sequence>
  <xsd:attribute name="ind1" type="indicatorDataType" use="required" />
  <xsd:attribute name="ind2" use="required" fixed="" />
</xsd:complexType>
- <xsd:complexType name="tag102Type" id="102Type">
- <xsd:sequence>
  <xsd:element name="_a" minOccurs="0" maxOccurs="unbounded"
    ncl:chiName="出版國別" ncl:engName="Country of Publication" />
  <xsd:element name="_b" minOccurs="0" maxOccurs="unbounded"
    ncl:chiName="出版地區" ncl:engName="Locality of Publication" />
  <xsd:element name="_c" minOccurs="0" maxOccurs="unbounded"
    ncl:chiName="出版縣市" ncl:engName="County/City of Publication" />
</xsd:sequence>
  <xsd:attribute name="ind1" use="required" fixed="" />
  <xsd:attribute name="ind2" use="required" fixed="" />
</xsd:complexType>
- <xsd:complexType name="tag105Type" id="105Type">
- <xsd:sequence>
  <xsd:element name="_a" type="tag105aFieldType" ncl:chiName="圖書之
    資料代碼" ncl:engName="Monograph Coded Data" />
</xsd:sequence>
  <xsd:attribute name="ind1" use="required" fixed="" />
  <xsd:attribute name="ind2" use="required" fixed="" />
</xsd:complexType>
- <xsd:simpleType name="tag105aFieldType">
- <xsd:restriction base="xsd:string">
  <xsd:length value="13" />
  <xsd:whiteSpace value="preserve" />
  <xsd:pattern value="[a-z]{4}[a-z]{4}(0|1)(0|1)(0|1)(a-h|y|z)(a-
    d|y)" />
</xsd:restriction>
</xsd:simpleType>
- <xsd:complexType name="tag106Type" id="106Type">
- <xsd:sequence>
  <xsd:element name="_a" type="tag106aFieldType"
    maxOccurs="unbounded" ncl:chiName="文字資料形式代碼"
    ncl:engName="Textual Material Coded Data – Physical Medium
Designator" />
</xsd:sequence>
  <xsd:attribute name="ind1" use="required" fixed="" />
  <xsd:attribute name="ind2" use="required" fixed="" />
</xsd:complexType>
- <xsd:simpleType name="tag106aFieldType">
- <xsd:restriction base="xsd:string">
  <xsd:length value="1" />

```

```

    <xsd:pattern value="(d|e|f|g|h|i|j|r|z)" />
  </xsd:restriction>
</xsd:simpleType>
- <xsd:complexType name="tag110Type" id="110Type">
  - <xsd:sequence>
    <xsd:element name="_a" type="tag110aFieldType" ncl:chiName="連續性
      出版品之資料代碼" ncl:engName="Serial Coded Data" />
  </xsd:sequence>
  <xsd:attribute name="ind1" use="required" fixed="" />
  <xsd:attribute name="ind2" use="required" fixed="" />
</xsd:complexType>
- <xsd:simpleType name="tag110aFieldType">
  - <xsd:restriction base="xsd:string">
    <xsd:length value="11" />
    <xsd:whiteSpace value="preserve" />
    <xsd:pattern value="(a|b|c|z)(a-z)(a|b|u|y)(a-z)[a-z]{3}(0|1)(a-
      g|u|x|y|z)(a-m|u|x|y|z)" />
  </xsd:restriction>
</xsd:simpleType>
- <xsd:complexType name="tag115Type" id="115Type">
  - <xsd:sequence>
    <xsd:element name="_a" type="tag115aFieldType" minOccurs="0"
      ncl:chiName="資料代碼 (一般性)" ncl:engName="Coded Data –
      General" />
    <xsd:element name="_b" type="tag115bFieldType" minOccurs="0"
      ncl:chiName="影片代碼 (存檔資料)" ncl:engName="Motion Picture
      Coded Data – Archival" />
  </xsd:sequence>
  <xsd:attribute name="ind1" use="required" fixed="" />
  <xsd:attribute name="ind2" use="required" fixed="" />
</xsd:complexType>
- <xsd:simpleType name="tag115aFieldType">
  - <xsd:restriction base="xsd:string">
    <xsd:length value="20" />
    <xsd:whiteSpace value="preserve" />
    <xsd:pattern value="(a|b|c)[/d]{3}(a-c|u|z)(a|b|u|z)(a-i|z|u|y)[a-
      z]{13}" />
  </xsd:restriction>
</xsd:simpleType>
- <xsd:simpleType name="tag115bFieldType">
  - <xsd:restriction base="xsd:string">
    <xsd:length value="15" />
    <xsd:whiteSpace value="preserve" />
    <xsd:pattern value="[a-z]{9}[\d]{6}" />
  </xsd:restriction>
</xsd:simpleType>
- <xsd:complexType name="tag116Type" id="116Type">
  - <xsd:sequence>
    <xsd:element name="_a" type="tag116FieldType" ncl:chiName="圖片資料
      之代碼" ncl:engName="Coded Data for Graphics" />
  </xsd:sequence>
  <xsd:attribute name="ind1" use="required" fixed="" />
  <xsd:attribute name="ind2" use="required" fixed="" />
</xsd:complexType>
- <xsd:simpleType name="tag116FieldType">

```

```

- <xsd:restriction base="xsd:string">
  <xsd:length value="4" />
  <xsd:pattern value="[a-z]" />
</xsd:restriction>
</xsd:simpleType>
- <xsd:complexType name="tag120Type" id="120Type">
  - <xsd:sequence>
    <xsd:element name="_a" type="tag120FieldType" ncl:chiName="地圖資料
      之代碼（一般性）" ncl:engName="Cartographic Material Coded Data
      (General)" />
  </xsd:sequence>
  <xsd:attribute name="ind1" use="required" fixed="" />
  <xsd:attribute name="ind2" use="required" fixed="" />
</xsd:complexType>
- <xsd:simpleType name="tag120FieldType">
  - <xsd:restriction base="xsd:string">
    <xsd:length value="13" />
    <xsd:pattern value="[a-z]" />
  </xsd:restriction>
</xsd:simpleType>
- <xsd:complexType name="tag121Type" id="121Type">
  - <xsd:sequence>
    <xsd:element name="_a" type="tag121aFieldType" minOccurs="0"
      ncl:chiName="地圖資料之形式特性（一般性）" ncl:engName="Cartographic
      Material Coded Data : Physical attributes (General)" />
    <xsd:element name="_b" type="tag121bFieldType" minOccurs="0"
      ncl:chiName="航空照像及遙測形式代碼" ncl:engName="Aerial Photography
      and Remote Sensing Coded Data : Physical Attributes" />
  </xsd:sequence>
  <xsd:attribute name="ind1" use="required" fixed="" />
  <xsd:attribute name="ind2" use="required" fixed="" />
</xsd:complexType>
- <xsd:simpleType name="tag121aFieldType">
  - <xsd:restriction base="xsd:string">
    <xsd:length value="9" />
    <xsd:pattern value="[a-z]" />
  </xsd:restriction>
</xsd:simpleType>
- <xsd:simpleType name="tag121bFieldType">
  - <xsd:restriction base="xsd:string">
    <xsd:length value="8" />
    <xsd:whiteSpace value="preserve" />
    <xsd:pattern value="[a-z]{2}[\d|xx]{2}(a-d)[\d]{1}[\da-z]{2}" />
  </xsd:restriction>
</xsd:simpleType>
- <xsd:complexType name="tag122Type" id="122Type">
  - <xsd:sequence>
    <xsd:element name="_a" type="tag122aFieldType"
      maxOccurs="unbounded" ncl:chiName="作品涵蓋時間"
      ncl:engName="Time period, 9999 B.C. to present" />
  </xsd:sequence>
  <xsd:attribute name="ind1" type="indicatorDataType" use="required" />
  <xsd:attribute name="ind2" use="required" fixed="" />
</xsd:complexType>
- <xsd:simpleType name="tag122aFieldType">

```

```

- <xsd:restriction base="xsd:string">
  <xsd:maxLength value="11" />
  <xsd:pattern value="(c|d)[\d]{10}" />
</xsd:restriction>
</xsd:simpleType>
- <xsd:complexType name="tag123Type" id="123Type">
- <xsd:sequence>
  <xsd:element name="_a" type="tag123aFieldType" ncl:chiName="比例尺
    型式" ncl:engName="Type of Scale" />
  <xsd:element name="_b" minOccurs="0" maxOccurs="unbounded"
    ncl:chiName="水平比例尺" ncl:engName="Constant Ratio Linear
    Horizontal Scale" />
  <xsd:element name="_c" minOccurs="0" maxOccurs="unbounded"
    ncl:chiName="垂直比例尺" ncl:engName="Constant Ratio Linear Vertical
    Scale" />
  <xsd:element name="_d" type="tag123dFieldType" minOccurs="0"
    ncl:chiName="座標—最西邊之經度" ncl:engName="Co-ordinates—
    Westernmost Longitude" />
  <xsd:element name="_e" type="tag123dFieldType" minOccurs="0"
    ncl:chiName="座標—最東邊之經度" ncl:engName="Co-ordinates—
    Easternmost Longitude" />
  <xsd:element name="_f" type="tag123dFieldType" minOccurs="0"
    ncl:chiName="座標—最北邊之經度" ncl:engName="Co-ordinates—
    Northernmost Latitude" />
  <xsd:element name="_g" type="tag123dFieldType" minOccurs="0"
    ncl:chiName="座標—最南邊之經度" ncl:engName="Co-ordinates—
    Southernmost Latitude" />
  <xsd:element name="_h" type="tag123hFieldType" minOccurs="0"
    maxOccurs="unbounded" ncl:chiName="角比例尺"
    ncl:engName="Angular Scale" />
  <xsd:element name="_i" type="tag123dFieldType" minOccurs="0"
    ncl:chiName="赤緯（向北天極）" ncl:engName="Declination—Northern
    Limit" />
  <xsd:element name="_j" type="tag123dFieldType" minOccurs="0"
    ncl:chiName="赤緯（向南天極）" ncl:engName="Declination—Southern
    Limit" />
  <xsd:element name="_k" type="tag123kFieldType" minOccurs="0"
    ncl:chiName="赤經（東端）" ncl:engName="Right ascension—Eastern
    Limits" />
  <xsd:element name="_m" type="tag123kFieldType" minOccurs="0"
    ncl:chiName="赤經（西端）" ncl:engName="Right ascension—Western
    Limits" />
  <xsd:element name="_n" minOccurs="0" ncl:chiName="晝夜平分點"
    ncl:engName="Equinox" />
</xsd:sequence>
  <xsd:attribute name="ind1" type="indicatorDataType" use="required" />
  <xsd:attribute name="ind2" use="required" fixed="" />
</xsd:complexType>
- <xsd:simpleType name="tag123aFieldType">
- <xsd:restriction base="xsd:string">
  <xsd:length value="1" />
  <xsd:pattern value="(a|b|z)" />
</xsd:restriction>
</xsd:simpleType>
- <xsd:simpleType name="tag123dFieldType">

```

```

- <xsd:restriction base="xsd:string">
  <xsd:length value="8" />
  <xsd:whiteSpace value="preserve" />
  <xsd:pattern value="(w|e|n|s)[\d]{7}" />
</xsd:restriction>
</xsd:simpleType>
- <xsd:simpleType name="tag123hFieldType">
- <xsd:restriction base="xsd:string">
  <xsd:length value="4" />
</xsd:restriction>
</xsd:simpleType>
- <xsd:simpleType name="tag123kFieldType">
- <xsd:restriction base="xsd:string">
  <xsd:length value="6" />
  <xsd:whiteSpace value="preserve" />
  <xsd:pattern value="[\d]{6}" />
</xsd:restriction>
</xsd:simpleType>
- <xsd:complexType name="tag124Type" id="124Type">
- <xsd:sequence>
  <xsd:element name="_a" type="tag124aFieldType" minOccurs="0"
    ncl:chiName="影像性質" ncl:engName="Character of Image" />
  <xsd:element name="_b" type="tag124FieldType" minOccurs="0"
    maxOccurs="unbounded" ncl:chiName="地圖形式" ncl:engName="Form
    of Cartographic Item" />
  <xsd:element name="_c" type="tag124cFieldType" minOccurs="0"
    maxOccurs="unbounded" ncl:chiName="照相或非照相影像之顯像技術"
    ncl:engName="Presentation Technique for Photographic or Non-
    Photographic Image" />
  <xsd:element name="_d" type="tag124FieldType" minOccurs="0"
    maxOccurs="unbounded" ncl:chiName="照相或遙測影像之載臺位置"
    ncl:engName="Position of Platform for Photographic or Remote
    Sensing Image" />
  <xsd:element name="_e" type="tag124FieldType" minOccurs="0"
    maxOccurs="unbounded" ncl:chiName="遙測影像之太空衛星種類"
    ncl:engName="Category of Satellite for Remote Sensing Image" />
  <xsd:element name="_f" type="tag124FieldType" minOccurs="0"
    maxOccurs="unbounded" ncl:chiName="遙測影像之太空衛星名稱"
    ncl:engName="Name of Satellite for Remote Sensing Image" />
  <xsd:element name="_g" type="tag124FieldType" minOccurs="0"
    maxOccurs="unbounded" ncl:chiName="遙測影像之錄影技術"
    ncl:engName="Recording Technique for Remote Sensing Image" />
</xsd:sequence>
  <xsd:attribute name="ind1" use="required" fixed="" />
  <xsd:attribute name="ind2" use="required" fixed="" />
</xsd:complexType>
- <xsd:simpleType name="tag124aFieldType">
- <xsd:restriction base="xsd:string">
  <xsd:length value="1" />
  <xsd:enumeration value="_a" />
  <xsd:enumeration value="_b" />
  <xsd:enumeration value="_c" />
</xsd:restriction>
</xsd:simpleType>
- <xsd:simpleType name="tag124cFieldType">
- <xsd:restriction base="xsd:string">

```



```

        <xsd:length value="2" />
        <xsd:pattern value="(a|d)[a-z]{1}" />
    </xsd:restriction>
</xsd:simpleType>
- <xsd:simpleType name="tag124FieldType">
- <xsd:restriction base="xsd:string">
    <xsd:length value="1" />
    <xsd:pattern value="[a-z]" />
</xsd:restriction>
</xsd:simpleType>
- <xsd:complexType name="tag125Type" id="125Type">
- <xsd:sequence>
    <xsd:element name="_a" type="tag125FieldType" minOccurs="0"
        ncl:chiName="樂譜資料代碼" ncl:engName="Format of Printed Music" />
    <xsd:element name="_b" type="tag125FieldType" minOccurs="0"
        ncl:chiName="錄音資料代碼 (非音樂性)" ncl:engName="Literary Text
        Indicator (Non-Music Performance)" />
</xsd:sequence>
    <xsd:attribute name="ind1" use="required" fixed="" />
    <xsd:attribute name="ind2" use="required" fixed="" />
</xsd:complexType>
- <xsd:simpleType name="tag125FieldType">
- <xsd:restriction base="xsd:string">
    <xsd:length value="2" />
    <xsd:pattern value="[a-z]" />
</xsd:restriction>
</xsd:simpleType>
- <xsd:complexType name="tag126Type" id="126Type">
- <xsd:sequence>
    <xsd:element name="_a" type="tag126aFieldType" minOccurs="0"
        maxOccurs="unbounded" ncl:chiName="錄音資料代碼 (一般性)"
        ncl:engName="Sound Recording Coded Data (General)" />
    <xsd:element name="_b" type="tag126bFieldType" minOccurs="0"
        ncl:chiName="錄音資料代碼 (詳細資料)" ncl:engName="Sound Recording
        Coded Data (Detail)" />
</xsd:sequence>
    <xsd:attribute name="ind1" use="required" fixed="" />
    <xsd:attribute name="ind2" use="required" fixed="" />
</xsd:complexType>
- <xsd:simpleType name="tag126aFieldType">
- <xsd:restriction base="xsd:string">
    <xsd:length value="15" />
    <xsd:pattern value="[a-z]" />
</xsd:restriction>
</xsd:simpleType>
- <xsd:simpleType name="tag126bFieldType">
- <xsd:restriction base="xsd:string">
    <xsd:length value="3" />
    <xsd:pattern value="[a-z]" />
</xsd:restriction>
</xsd:simpleType>
- <xsd:complexType name="tag127Type" id="127Type">
- <xsd:sequence>
    <xsd:element name="_a" type="xsd:dateTime" maxOccurs="unbounded"
        ncl:chiName="時間" ncl:engName="Duration" />

```

```

</xsd:sequence>
<xsd:attribute name="ind1" use="required" fixed="" />
<xsd:attribute name="ind2" use="required" fixed="" />
</xsd:complexType>
- <xsd:complexType name="tag128Type" id="128Type">
- <xsd:sequence>
  <xsd:element name="_a" type="tag128aFieldType" minOccurs="0"
    maxOccurs="unbounded" ncl:chiName="作曲形式（音樂演奏或樂譜）"
    ncl:engName="Form of Composition" />
  <xsd:element name="_b" type="tag128FieldType" minOccurs="0"
    maxOccurs="unbounded" ncl:chiName="合奏或合唱（音樂演奏或樂譜）"
    ncl:engName="Instruments or Voices for Ensemble" />
  <xsd:element name="_c" type="tag128FieldType" minOccurs="0"
    maxOccurs="unbounded" ncl:chiName="獨奏或獨唱（音樂演奏或樂譜）"
    ncl:engName="Instruments or Voices for Soloists" />
</xsd:sequence>
<xsd:attribute name="ind1" use="required" fixed="" />
<xsd:attribute name="ind2" use="required" fixed="" />
</xsd:complexType>
- <xsd:simpleType name="tag128aFieldType">
- <xsd:restriction base="xsd:string">
  <xsd:length value="2" />
  <xsd:pattern value="[a-z]" />
</xsd:restriction>
</xsd:simpleType>
- <xsd:simpleType name="tag128FieldType">
- <xsd:restriction base="xsd:string">
  <xsd:maxLength value="4" />
  <xsd:pattern value="[a-z]" />
</xsd:restriction>
</xsd:simpleType>
- <xsd:complexType name="tag129Type" id="129Type">
- <xsd:sequence>
  <xsd:element name="_a" type="tag129FieldType" ncl:chiName="拓片之資料代碼"
    ncl:engName="Rubbing material coded data" />
</xsd:sequence>
<xsd:attribute name="ind1" use="required" fixed="" />
<xsd:attribute name="ind2" use="required" fixed="" />
</xsd:complexType>
- <xsd:simpleType name="tag129FieldType">
- <xsd:restriction base="xsd:string">
  <xsd:length value="7" />
  <xsd:pattern value="[a-z]" />
</xsd:restriction>
</xsd:simpleType>
- <xsd:complexType name="tag130Type" id="130Type">
- <xsd:sequence>
  <xsd:element name="_a" type="tag130FieldType"
    maxOccurs="unbounded" ncl:chiName="微縮資料形式特性"
    ncl:engName="Microform Coded Data--Physical Attributes" />
</xsd:sequence>
<xsd:attribute name="ind1" use="required" fixed="" />
<xsd:attribute name="ind2" use="required" fixed="" />
</xsd:complexType>
- <xsd:simpleType name="tag130FieldType">

```

```

- <xsd:restriction base="xsd:string">
  <xsd:length value="11" />
  <xsd:pattern value="[a-z]" />
</xsd:restriction>
</xsd:simpleType>
- <xsd:complexType name="tag131Type" id="131Type">
- <xsd:sequence>
  <xsd:element name="_a" type="tag131FieldType" minOccurs="0"
    maxOccurs="unbounded" ncl:chiName="球形體"
    ncl:engName="Spheroid" />
  <xsd:element name="_b" type="tag131FieldType" minOccurs="0"
    maxOccurs="unbounded" ncl:chiName="水平基準面"
    ncl:engName="Horizontal Datum" />
  <xsd:element name="_c" type="tag131FieldType" minOccurs="0"
    maxOccurs="unbounded" ncl:chiName="主要網格與座標系統"
    ncl:engName="Grid and Referencing System" />
  <xsd:element name="_d" type="tag131FieldType" minOccurs="0"
    maxOccurs="unbounded" ncl:chiName="重疊與座標系統"
    ncl:engName="Overlapping and Referencing System" />
  <xsd:element name="_e" type="tag131FieldType" minOccurs="0"
    maxOccurs="unbounded" ncl:chiName="次級網格與座標系統"
    ncl:engName="" />
  <xsd:element name="_f" type="tag131FieldType" minOccurs="0"
    maxOccurs="unbounded" ncl:chiName="垂直基準面"
    ncl:engName="Vertical Datum" />
  <xsd:element name="_g" type="tag131FieldType" minOccurs="0"
    maxOccurs="unbounded" ncl:chiName="高程測量單位"
    ncl:engName="Unit of Measurement of Heighting" />
  <xsd:element name="_h" type="tag131hFieldType" minOccurs="0"
    maxOccurs="unbounded" ncl:chiName="等高線間距"
    ncl:engName="Contour Interval" />
  <xsd:element name="_i" type="tag131FieldType" minOccurs="0"
    maxOccurs="unbounded" ncl:chiName="助曲線間距"
    ncl:engName="Supplementary Contour Interval" />
  <xsd:element name="_j" type="tag131hFieldType" minOccurs="0"
    maxOccurs="unbounded" ncl:chiName="海深測量單位"
    ncl:engName="Unit Measurement of Bathymetry" />
  <xsd:element name="_k" type="tag131hFieldType" minOccurs="0"
    maxOccurs="unbounded" ncl:chiName="等深線間距"
    ncl:engName="Bathymetric Interval" />
  <xsd:element name="_l" type="tag131hFieldType" minOccurs="0"
    maxOccurs="unbounded" ncl:chiName="助等深線間距"
    ncl:engName="Supplementary Bathymetric Interval" />
</xsd:sequence>
  <xsd:attribute name="ind1" use="required" fixed="" />
  <xsd:attribute name="ind2" use="required" fixed="" />
</xsd:complexType>
- <xsd:simpleType name="tag131FieldType">
- <xsd:restriction base="xsd:string">
  <xsd:length value="2" />
  <xsd:pattern value="[a-z]" />
</xsd:restriction>
</xsd:simpleType>
- <xsd:simpleType name="tag131hFieldType">
- <xsd:restriction base="xsd:string">
  <xsd:length value="4" />

```

```

    <xsd:pattern value="[a-z]" />
  </xsd:restriction>
</xsd:simpleType>
- <xsd:complexType name="tag135Type" id="135Type">
- <xsd:sequence>
  <xsd:element name="_a" type="tag135FieldType" minOccurs="0"
    ncl:chiName="電腦檔資料代碼" ncl:engName="Coded Data for Electronic
    Resources" />
  </xsd:sequence>
  <xsd:attribute name="ind1" use="required" fixed="" />
  <xsd:attribute name="ind2" use="required" fixed="" />
</xsd:complexType>
- <xsd:simpleType name="tag135FieldType">
- <xsd:restriction base="xsd:string">
  <xsd:length value="1" />
  <xsd:pattern value="[a-z]" />
</xsd:restriction>
</xsd:simpleType>
- <!--

```

2XX 「著錄段」欄位內容宣告

```

-->
- <xsd:complexType name="tag200Type" id="200Type">
- <xsd:sequence>
  <xsd:element name="_a" maxOccurs="unbounded" ncl:chiName="正題名"
    ncl:engName="Title Proper" />
  <xsd:element name="_c" minOccurs="0" maxOccurs="unbounded"
    ncl:chiName="合刊本其他著者之作品" ncl:engName="Title Proper by
    Another Author" />
  <xsd:element name="_d" minOccurs="0" maxOccurs="unbounded"
    ncl:chiName="並列題名" ncl:engName="Parallel Title Proper" />
  <xsd:element name="_e" minOccurs="0" maxOccurs="unbounded"
    ncl:chiName="副題名及其他題名資料" ncl:engName="Other Title
    Information" />
  <xsd:element name="_f" minOccurs="0" maxOccurs="unbounded"
    ncl:chiName="第一著者敘述" ncl:engName="First Statement of
    Responsibility" />
  <xsd:element name="_g" minOccurs="0" maxOccurs="unbounded"
    ncl:chiName="第二及依次之著者敘述" ncl:engName="Subsequent
    Statement of Responsibility" />
  <xsd:element name="_h" minOccurs="0" maxOccurs="unbounded"
    ncl:chiName="編次" ncl:engName="Number of a part" />
  <xsd:element name="_i" minOccurs="0" maxOccurs="unbounded"
    ncl:chiName="編次名稱" ncl:engName="Name of a part" />
  <xsd:element name="_p" minOccurs="0" ncl:chiName="卷數"
    ncl:engName="Number of Chuan" />
  <xsd:element name="_v" minOccurs="0" ncl:chiName="冊次號"
    ncl:engName="Volume Designation" />
  <xsd:element name="_z" minOccurs="0" maxOccurs="unbounded"
    ncl:chiName="並列題名之語文" ncl:engName="Language of Parallel Title
    Proper" />
  <xsd:element name="_r" minOccurs="0" maxOccurs="unbounded"
    ncl:chiName="題名之羅馬拼音" ncl:engName="Romanization of Title
    Proper" />
</xsd:sequence>

```

```

    <xsd:attribute name="ind1" type="indicatorDataType" use="required" />
    <xsd:attribute name="ind2" use="required" fixed="" />
  </xsd:complexType>
- <xsd:complexType name="tag204Type" id="204Type">
- <xsd:sequence>
  <xsd:element name="_a" ncl:chiName="資料類型標示"
    ncl:engName="General Material Designation" />
</xsd:sequence>
  <xsd:attribute name="ind1" type="indicatorDataType" use="required" />
  <xsd:attribute name="ind2" use="required" fixed="" />
</xsd:complexType>
- <xsd:complexType name="tag205Type" id="205Type">
- <xsd:sequence>
  <xsd:element name="_a" ncl:chiName="版本敘述" ncl:engName="Edition
    Statement" />
  <xsd:element name="_b" minOccurs="0" maxOccurs="unbounded"
    ncl:chiName="版本其他名稱敘述" ncl:engName="Issue Statement" />
  <xsd:element name="_d" minOccurs="0" maxOccurs="unbounded"
    ncl:chiName="並列版敘述" ncl:engName="Parallel Edition Statement" />
  <xsd:element name="_f" minOccurs="0" maxOccurs="unbounded"
    ncl:chiName="版本之第一著者敘述" ncl:engName="Statement of
    Responsibility Relating to Edition" />
  <xsd:element name="_g" minOccurs="0" maxOccurs="unbounded"
    ncl:chiName="版本之第二及依次之著者敘述" ncl:engName="Subsequent
    Statement of Responsibility" />
</xsd:sequence>
  <xsd:attribute name="ind1" use="required" fixed="" />
  <xsd:attribute name="ind2" use="required" fixed="" />
</xsd:complexType>
- <xsd:complexType name="tag206Type" id="206Type">
- <xsd:sequence>
  <xsd:element name="_a" ncl:chiName="製圖細節"
    ncl:engName="Mathematical Data Statement" />
</xsd:sequence>
  <xsd:attribute name="ind1" type="indicatorDataType" use="required" />
  <xsd:attribute name="ind2" use="required" fixed="" />
</xsd:complexType>
- <xsd:complexType name="tag207Type" id="207Type">
- <xsd:sequence>
  <xsd:element name="_a" maxOccurs="unbounded" ncl:chiName="卷期、年
    份編次" ncl:engName="Numbering : Dates and Volume
    Designations" />
  <xsd:element name="_z" minOccurs="0" ncl:chiName="卷期編次來源"
    ncl:engName="Source of Numbering Information" />
</xsd:sequence>
  <xsd:attribute name="ind1" use="required" fixed="" />
  <xsd:attribute name="ind2" type="indicatorDataType" use="required" />
</xsd:complexType>
- <xsd:complexType name="tag208Type" id="208Type">
- <xsd:sequence>
  <xsd:element name="_a" ncl:chiName="樂譜" ncl:engName="Printed
    Music Specific Statement" />
  <xsd:element name="_b" minOccurs="0" maxOccurs="unbounded"
    ncl:chiName="並列樂譜形式" ncl:engName="Parallel Printed Music
    Specific Statement(s)" />

```

```

</xsd:sequence>
<xsd:attribute name="ind1" use="required" fixed="" />
<xsd:attribute name="ind2" use="required" fixed="" />
</xsd:complexType>
- <xsd:complexType name="tag209Type" id="209Type">
- <xsd:sequence>
  <xsd:element name="_a" ncl:chiName="檔案型態 (記錄或程式敘述之數量)"
    ncl:engName="Type of Electronic Resource" />
</xsd:sequence>
<xsd:attribute name="ind1" use="required" fixed="" />
<xsd:attribute name="ind2" use="required" fixed="" />
</xsd:complexType>
- <xsd:complexType name="tag210Type" id="210Type">
- <xsd:sequence>
  <xsd:element name="_a" minOccurs="0" maxOccurs="unbounded"
    ncl:chiName="出版地，經銷地等" ncl:engName="Place of Publication,
    Distribution, etc." />
  <xsd:element name="_b" minOccurs="0" maxOccurs="unbounded"
    ncl:chiName="出版者，經銷者等住址" ncl:engName="Address of
    Publisher, Distributor, etc." />
  <xsd:element name="_c" minOccurs="0" maxOccurs="unbounded"
    ncl:chiName="出版者，經銷者等名稱" ncl:engName="Name of Publisher,
    Distributor, etc." />
  <xsd:element name="_d" minOccurs="0" maxOccurs="unbounded"
    ncl:chiName="出版，經銷等日期" ncl:engName="Date of Publication,
    Distribution, etc." />
  <xsd:element name="_e" minOccurs="0" maxOccurs="unbounded"
    ncl:chiName="印製地" ncl:engName="Place of Manufacture" />
  <xsd:element name="_f" minOccurs="0" maxOccurs="unbounded"
    ncl:chiName="印製者位址" ncl:engName="Address of Manufacturer" />
  <xsd:element name="_g" minOccurs="0" maxOccurs="unbounded"
    ncl:chiName="印製者名稱" ncl:engName="Name of Manufacturer" />
  <xsd:element name="_h" minOccurs="0" maxOccurs="unbounded"
    ncl:chiName="印製日期" ncl:engName="Date of Manufacture" />
</xsd:sequence>
<xsd:attribute name="ind1" type="indicatorDataType" use="required" />
<xsd:attribute name="ind2" use="required" fixed="" />
</xsd:complexType>
- <xsd:complexType name="tag211Type" id="211Type">
- <xsd:sequence>
  <xsd:element name="_a" type="tag211FieldType" ncl:chiName="出版日
    期" ncl:engName="Date" />
</xsd:sequence>
<xsd:attribute name="ind1" use="required" fixed="" />
<xsd:attribute name="ind2" use="required" fixed="" />
</xsd:complexType>
- <xsd:simpleType name="tag211FieldType">
- <xsd:restriction base="xsd:string">
  <xsd:length value="4" />
  <xsd:pattern value="[d]{4}" />
</xsd:restriction>
</xsd:simpleType>
- <xsd:complexType name="tag215Type" id="215Type">
- <xsd:sequence>
  <xsd:element name="_a" minOccurs="0" maxOccurs="unbounded"

```

```

ncl:chiName="數量(面數,冊數或其他)" ncl:engName="Specific Material
Designation and Extent of Item />
<xsd:element name="_b" minOccurs="0" ncl:chiName="插圖及其他稽核細節"
ncl:engName="Other Physical Details" />
<xsd:element name="_d" minOccurs="0" maxOccurs="unbounded"
ncl:chiName="高廣、尺寸" ncl:engName="Dimensions" />
<xsd:element name="_e" minOccurs="0" maxOccurs="unbounded"
ncl:chiName="附件" ncl:engName="Accompanying Material" />
</xsd:sequence>
<xsd:attribute name="ind1" type="indicatorDataType" use="required" />
<xsd:attribute name="ind2" use="required" fixed="" />
</xsd:complexType>
- <xsd:complexType name="tag225Type" id="225Type">
- <xsd:sequence>
<xsd:element name="_a" ncl:chiName="集叢名" ncl:engName="Series
Title />
<xsd:element name="_b" minOccurs="0" maxOccurs="unbounded"
ncl:chiName="並列集叢名" ncl:engName="Parallel Series Title" />
<xsd:element name="_e" minOccurs="0" maxOccurs="unbounded"
ncl:chiName="集叢副題名" ncl:engName="Other Title Information" />
<xsd:element name="_f" minOccurs="0" maxOccurs="unbounded"
ncl:chiName="著者敘述" ncl:engName="Statement of Responsibility" />
<xsd:element name="_h" minOccurs="0" maxOccurs="unbounded"
ncl:chiName="編次" ncl:engName="Number of a part" />
<xsd:element name="_i" minOccurs="0" maxOccurs="unbounded"
ncl:chiName="編次名稱" ncl:engName="Name of a part" />
<xsd:element name="_v" minOccurs="0" maxOccurs="unbounded"
ncl:chiName="集叢號" ncl:engName="Volume Designation" />
<xsd:element name="_x" minOccurs="0" maxOccurs="unbounded"
ncl:chiName="集叢之國際標準業刊號" ncl:engName="ISSN of Series" />
<xsd:element name="_z" minOccurs="0" maxOccurs="unbounded"
ncl:chiName="並列集叢名之語文" ncl:engName="Language of Parallel
Title />
<xsd:element name="_r" minOccurs="0" ncl:chiName="集叢名之羅馬拼音"
ncl:engName="Romanization of Series Statement" />
</xsd:sequence>
<xsd:attribute name="ind1" type="indicatorDataType" use="required" />
<xsd:attribute name="ind2" use="required" fixed="" />
</xsd:complexType>
- <!--
3XX 「附註段」欄位內容宣告
-->
- <xsd:complexType name="tag300Type" id="300Type">
- <xsd:sequence>
<xsd:element name="_a" ncl:chiName="附註" ncl:engName="Text of
Note />
<xsd:element name="_u" minOccurs="0" ncl:chiName="國際書目交換用之附
註" ncl:engName="United languages" />
</xsd:sequence>
<xsd:attribute name="ind1" use="required" fixed="" />
<xsd:attribute name="ind2" use="required" fixed="" />
</xsd:complexType>
- <xsd:complexType name="tag321Type" id="321Type">

```

```

- <xsd:sequence>
  <xsd:element name="_a" ncl:chiName="被索引、摘要及引用之書目註"
    ncl:engName="Indexes, Abstracts, References Note" />
  <xsd:element name="_b" minOccurs="0" ncl:chiName="日期"
    ncl:engName="Dates of Coverage" />
  <xsd:element name="_x" minOccurs="0" ncl:chiName="ISSN"
    ncl:engName="International Standard Serial Number (ISSN)" />
  <xsd:element name="_u" minOccurs="0" ncl:chiName="國際書目交換用之附
    註" ncl:engName="United Languages" />
</xsd:sequence>
<xsd:attribute name="ind1" type="indicatorDataType" use="required" />
<xsd:attribute name="ind2" use="required" fixed="" />
</xsd:complexType>
- <xsd:complexType name="tag326Type" id="326Type">
- <xsd:sequence>
  <xsd:element name="_a" ncl:chiName="刊期"
    ncl:engName="Frequency" />
  <xsd:element name="_b" minOccurs="0" ncl:chiName="日期"
    ncl:engName="Dates of Frequency" />
  <xsd:element name="_u" minOccurs="0" ncl:chiName="國際書目交換用之附
    註" ncl:engName="United Languages" />
</xsd:sequence>
<xsd:attribute name="ind1" use="required" fixed="" />
<xsd:attribute name="ind2" use="required" fixed="" />
</xsd:complexType>
- <xsd:complexType name="tag327Type" id="327Type">
- <xsd:sequence>
  <xsd:element name="_a" maxOccurs="unbounded" ncl:chiName="內容註細
    目" ncl:engName="Entry in Contents Note" />
</xsd:sequence>
<xsd:attribute name="ind1" type="indicatorDataType" use="required" />
<xsd:attribute name="ind2" use="required" fixed="" />
</xsd:complexType>
- <xsd:complexType name="tag345Type" id="345Type">
- <xsd:sequence>
  <xsd:element name="_a" maxOccurs="unbounded" ncl:chiName="採訪來源
    之名稱或地址" ncl:engName="Source for Acquisition/Subscription
    Address" />
  <xsd:element name="_b" maxOccurs="unbounded" ncl:chiName="庫存號
    碼" ncl:engName="Stock Number" />
  <xsd:element name="_c" maxOccurs="unbounded" ncl:chiName="媒體形
    式" ncl:engName="Medium" />
  <xsd:element name="_d" maxOccurs="unbounded" ncl:chiName="發行性質
    /價格" ncl:engName="Terms of Availability" />
  <xsd:element name="_p" maxOccurs="unbounded" ncl:chiName="郵撥帳號
    及帳戶" ncl:engName="Postal Remittance Account" />
  <xsd:element name="_t" maxOccurs="unbounded" ncl:chiName="電話"
    ncl:engName="Telephone Number" />
  <xsd:element name="_u" maxOccurs="unbounded" ncl:chiName="國際書目
    交換用之附註" ncl:engName="United Languages" />
</xsd:sequence>
<xsd:attribute name="ind1" use="required" fixed="" />
<xsd:attribute name="ind2" use="required" fixed="" />
</xsd:complexType>

```


- <!--

4XX 「連接款目段」欄位內容宣告，4XX段具有數字之分欄名稱

-->

```
- <xsd:complexType name="tag400Type" id="400Type">
- <xsd:sequence>
  <xsd:element name="_1" maxOccurs="unbounded" ncl:chiName="相關之資料欄位" ncl:engName="Any Data Field" />
</xsd:sequence>
  <xsd:attribute name="ind1" use="required" fixed="" />
  <xsd:attribute name="ind2" type="indicatorDataType" use="required" />
</xsd:complexType>
- <!--
```

5XX 「相關題名段」欄位內容宣告

-->

```
- <xsd:complexType name="tag500Type" id="500Type">
- <xsd:sequence>
  <xsd:element name="_a" ncl:chiName="劃一題名" ncl:engName="Uniform Title" />
  <xsd:element name="_h" minOccurs="0" maxOccurs="unbounded" ncl:chiName="編次" ncl:engName="Number of Section or Part" />
  <xsd:element name="_i" minOccurs="0" maxOccurs="unbounded" ncl:chiName="編次名稱" ncl:engName="Name of Section or Part" />
  <xsd:element name="_k" minOccurs="0" ncl:chiName="出版日期" ncl:engName="Date of Publication" />
  <xsd:element name="_l" minOccurs="0" ncl:chiName="形式副標目" ncl:engName="Form Subheading" />
  <xsd:element name="_m" minOccurs="0" ncl:chiName="作品語文" ncl:engName="Language (when part of a heading)" />
  <xsd:element name="_n" minOccurs="0" maxOccurs="unbounded" ncl:chiName="其他" ncl:engName="Miscellaneous Information" />
  <xsd:element name="_p" minOccurs="0" ncl:chiName="卷數" ncl:engName="Chuan" />
  <xsd:element name="_q" minOccurs="0" ncl:chiName="版本(或版本日期)" ncl:engName="Version (or Date of Version)" />
  <xsd:element name="_s" minOccurs="0" maxOccurs="unbounded" ncl:chiName="作品號" ncl:engName="Numeric Designation (for Music)" />
  <xsd:element name="_t" minOccurs="0" maxOccurs="unbounded" ncl:chiName="媒體" ncl:engName="Medium of Performance (for Music)" />
  <xsd:element name="_u" minOccurs="0" ncl:chiName="調性(適用於音樂資料)" ncl:engName="Key (for Music)" />
  <xsd:element name="_v" minOccurs="0" ncl:chiName="冊次號" ncl:engName="Volume Designation" />
  <xsd:element name="_w" minOccurs="0" ncl:chiName="編曲" ncl:engName="Arranged Statement (for Music)" />
  <xsd:element name="_x" minOccurs="0" maxOccurs="unbounded" ncl:chiName="主題複分" ncl:engName="Topical Subdivision" />
  <xsd:element name="_y" minOccurs="0" maxOccurs="unbounded" ncl:chiName="地區複分" ncl:engName="Geographical Subdivision" />
  <xsd:element name="_z" minOccurs="0" maxOccurs="unbounded" />
</xsd:sequence>
</xsd:complexType>
```

```

ncl:chiName="時代複分" ncl:engName="Chronological Subdivision" />
  <xsd:element name="_2" minOccurs="0" ncl:chiName="標題系統代碼"
    ncl:engName="System Code" />
  <xsd:element name="_3" minOccurs="0" ncl:chiName="權威記錄號碼"
    ncl:engName="Authority Record Number" />
  <xsd:element name="_r" minOccurs="0" ncl:chiName="羅馬拼音"
    ncl:engName="Romanization of Uniform Title" />
</xsd:sequence>
<xsd:attribute name="ind1" type="indicatorDataType" use="required" />
<xsd:attribute name="ind2" type="indicatorDataType" use="required" />
</xsd:complexType>
- <xsd:complexType name="tag501Type" id="501Type">
- <xsd:sequence>
  <xsd:element name="_a" ncl:chiName="總集劃一題名"
    ncl:engName="Collective Uniform Title" />
  <xsd:element name="_e" minOccurs="0" ncl:chiName="總集劃一副題名"
    ncl:engName="Collective Uniform Subtitle" />
  <xsd:element name="_k" minOccurs="0" ncl:chiName="出版日期"
    ncl:engName="Date of Publication, etc." />
  <xsd:element name="_m" minOccurs="0" ncl:chiName="作品語文"
    ncl:engName="Language (when part of heading)" />
  <xsd:element name="_s" minOccurs="0" maxOccurs="unbounded"
    ncl:chiName="作品號 (適用於音樂資料)" ncl:engName="Numeric
    Designation (for Music)" />
  <xsd:element name="_t" minOccurs="0" maxOccurs="unbounded"
    ncl:chiName="媒體 (適用於音樂資料)" ncl:engName="Medium of
    Performance (for Music)" />
  <xsd:element name="_u" minOccurs="0" ncl:chiName="調性 (適用於音樂資
    料)" ncl:engName="Key (for Music)" />
  <xsd:element name="_w" minOccurs="0" ncl:chiName="編曲 (適用於音樂資
    料)" ncl:engName="Arranged Statement (for Music)" />
  <xsd:element name="_x" minOccurs="0" maxOccurs="unbounded"
    ncl:chiName="主題複分" ncl:engName="Topical Subdivision" />
  <xsd:element name="_y" minOccurs="0" maxOccurs="unbounded"
    ncl:chiName="地區複分" ncl:engName="Geographical Subdivision" />
  <xsd:element name="_z" minOccurs="0" maxOccurs="unbounded"
    ncl:chiName="時代複分" ncl:engName="Chronological Subdivision" />
  <xsd:element name="_2" minOccurs="0" ncl:chiName="標題系統代碼"
    ncl:engName="System Code" />
  <xsd:element name="_3" minOccurs="0" ncl:chiName="權威記錄號碼"
    ncl:engName="Authority Record Number" />
  <xsd:element name="_r" minOccurs="0" ncl:chiName="羅馬拼音"
    ncl:engName="Romanization of Uniform Title" />
</xsd:sequence>
<xsd:attribute name="ind1" type="indicatorDataType" use="required" />
<xsd:attribute name="ind2" use="required" fixed="" />
</xsd:complexType>
- <xsd:complexType name="tag503Type" id="503Type">
- <xsd:sequence>
  <xsd:element name="_a" ncl:chiName="正標目" ncl:engName="Form
    Heading Proper" />
  <xsd:element name="_b" minOccurs="0" ncl:chiName="副標目"
    ncl:engName="Form Subheading" />
  <xsd:element name="_d" type="xsd:gMonthDay" minOccurs="0"

```

```

ncl:chiName="月日" ncl:engName="Month and Day" />
  <xsd:element name="_e" minOccurs="0" ncl:chiName="著者姓氏"
    ncl:engName="Surname of person" />
  <xsd:element name="_f" minOccurs="0" ncl:chiName="著者名字"
    ncl:engName="Forename" />
  <xsd:element name="_h" minOccurs="0" ncl:chiName="著者修飾詞"
    ncl:engName="Personal Name Qualifier" />
  <xsd:element name="_i" minOccurs="0" ncl:chiName="標目中之題名"
    ncl:engName="Title of Part" />
  <xsd:element name="_j" minOccurs="0" ncl:chiName="年代"
    ncl:engName="Year" />
  <xsd:element name="_k" type="xsd:integer" minOccurs="0"
    ncl:chiName="阿拉伯數字" ncl:engName="Numeration (Arabic)" />
  <xsd:element name="_l" minOccurs="0" ncl:chiName="羅馬數字"
    ncl:engName="Numeration (Roman)" />
  <xsd:element name="_m" minOccurs="0" ncl:chiName="機構所在地"
    ncl:engName="Locality" />
  <xsd:element name="_n" minOccurs="0" ncl:chiName="機構名稱"
    ncl:engName="Institution in Locality" />
  <xsd:element name="_p" minOccurs="0" ncl:chiName="卷數"
    ncl:engName="Chuan" />
  <xsd:element name="_v" minOccurs="0" ncl:chiName="冊次號"
    ncl:engName="Volume Designation" />
  <xsd:element name="_r" minOccurs="0" ncl:chiName="羅馬拼音"
    ncl:engName="Romanization of Uniform Title" />
</xsd:sequence>
<xsd:attribute name="ind1" type="indicatorDataType" use="required" />
<xsd:attribute name="ind2" use="required" fixed="" />
</xsd:complexType>
- <xsd:complexType name="tag510Type" id="510Type">
- <xsd:sequence>
  <xsd:element name="_a" ncl:chiName="並列題名" ncl:engName="Parallel
    Title" />
  <xsd:element name="_e" minOccurs="0" maxOccurs="unbounded"
    ncl:chiName="副題名" ncl:engName="Other Title Information" />
  <xsd:element name="_h" minOccurs="0" maxOccurs="unbounded"
    ncl:chiName="編次" ncl:engName="Number of Part" />
  <xsd:element name="_i" minOccurs="0" maxOccurs="unbounded"
    ncl:chiName="編次名稱" ncl:engName="Name of Part" />
  <xsd:element name="_j" minOccurs="0" ncl:chiName="卷號或日期"
    ncl:engName="Volume or Dates Associated with Title" />
  <xsd:element name="_n" minOccurs="0" ncl:chiName="其他"
    ncl:engName="Miscellaneous Information" />
  <xsd:element name="_p" minOccurs="0" ncl:chiName="卷數"
    ncl:engName="Chuan" />
  <xsd:element name="_z" minOccurs="0" ncl:chiName="語文代碼"
    ncl:engName="Language of Title" />
  <xsd:element name="_r" minOccurs="0" ncl:chiName="羅馬拼音"
    ncl:engName="Romanization of Parallel Title" />
</xsd:sequence>
<xsd:attribute name="ind1" type="indicatorDataType" use="required" />
<xsd:attribute name="ind2" use="required" fixed="" />
</xsd:complexType>
- <xsd:complexType name="tag512Type" id="512Type">
- <xsd:sequence>

```

```

<xsd:element name="_a" ncl:chiName="封面題名" ncl:engName="Cover
  Title" />
<xsd:element name="_e" minOccurs="0" maxOccurs="unbounded"
  ncl:chiName="副題名" ncl:engName="Other Title Information" />
<xsd:element name="_h" minOccurs="0" maxOccurs="unbounded"
  ncl:chiName="編次" ncl:engName="Number of part" />
<xsd:element name="_i" minOccurs="0" maxOccurs="unbounded"
  ncl:chiName="編次名稱" ncl:engName="Name of part" />
<xsd:element name="_j" minOccurs="0" ncl:chiName="卷號或日期"
  ncl:engName="Volume or Dates Associated with Title" />
<xsd:element name="_n" minOccurs="0" ncl:chiName="其他說明"
  ncl:engName="Miscellaneous Information" />
<xsd:element name="_p" minOccurs="0" ncl:chiName="卷數"
  ncl:engName="Chuan" />
<xsd:element name="_z" minOccurs="0" ncl:chiName="語文代碼"
  ncl:engName="Language or Title" />
<xsd:element name="_r" minOccurs="0" ncl:chiName="羅馬拼音"
  ncl:engName="Romanization of Cover Title" />
</xsd:sequence>
<xsd:attribute name="ind1" type="indicatorDataType" use="required" />
<xsd:attribute name="ind2" type="indicatorDataType" use="required" />
</xsd:complexType>
- <xsd:complexType name="tag513Type" id="513Type">
- <xsd:sequence>
  <xsd:element name="_a" ncl:chiName="附加書名頁題名"
    ncl:engName="Added Title-page Title" />
  <xsd:element name="_e" minOccurs="0" maxOccurs="unbounded"
    ncl:chiName="副題名" ncl:engName="Other Title Information" />
  <xsd:element name="_h" minOccurs="0" maxOccurs="unbounded"
    ncl:chiName="編次" ncl:engName="Number of Part" />
  <xsd:element name="_i" minOccurs="0" maxOccurs="unbounded"
    ncl:chiName="編次名稱" ncl:engName="Name of Part" />
  <xsd:element name="_j" minOccurs="0" ncl:chiName="卷號或日期"
    ncl:engName="Volume or Dates Associated with Title" />
  <xsd:element name="_n" minOccurs="0" ncl:chiName="其他"
    ncl:engName="Miscellaneous Information" />
  <xsd:element name="_p" minOccurs="0" ncl:chiName="卷數"
    ncl:engName="Chuan" />
  <xsd:element name="_z" minOccurs="0" ncl:chiName="語文代碼"
    ncl:engName="Language of Title" />
  <xsd:element name="_r" minOccurs="0" ncl:chiName="羅馬拼音"
    ncl:engName="Romanization of Added Title-page Title" />
</xsd:sequence>
<xsd:attribute name="ind1" type="indicatorDataType" use="required" />
<xsd:attribute name="ind2" type="indicatorDataType" use="required" />
</xsd:complexType>
- <xsd:complexType name="tag514Type" id="514Type">
- <xsd:sequence>
  <xsd:element name="_a" ncl:chiName="卷端題名" ncl:engName="Caption
    Title" />
  <xsd:element name="_e" minOccurs="0" maxOccurs="unbounded"
    ncl:chiName="副題名" ncl:engName="Other Title Information" />
  <xsd:element name="_h" minOccurs="0" maxOccurs="unbounded"
    ncl:chiName="編次" ncl:engName="Number or Part" />
  <xsd:element name="_i" minOccurs="0" maxOccurs="unbounded"

```

```

ncl:chiName="編次名稱" ncl:engName="Name of Part" />
  <xsd:element name="_j" minOccurs="0" ncl:chiName="卷號或日期"
    ncl:engName="Volume or Dates Associated with Title" />
  <xsd:element name="_n" minOccurs="0" ncl:chiName="其他"
    ncl:engName="Miscellaneous Information" />
  <xsd:element name="_p" minOccurs="0" ncl:chiName="卷數"
    ncl:engName="Chuan" />
  <xsd:element name="_z" minOccurs="0" ncl:chiName="語文代碼"
    ncl:engName="Language of Title" />
  <xsd:element name="_r" minOccurs="0" ncl:chiName="羅馬拼音"
    ncl:engName="Romanization of Caption Title" />
</xsd:sequence>
<xsd:attribute name="ind1" type="indicatorDataType" use="required" />
<xsd:attribute name="ind2" type="indicatorDataType" use="required" />
</xsd:complexType>
- <xsd:complexType name="tag515Type" id="515Type">
- <xsd:sequence>
  <xsd:element name="_a" ncl:chiName="逐頁題名" ncl:engName="Running
    Title" />
  <xsd:element name="_e" minOccurs="0" maxOccurs="unbounded"
    ncl:chiName="副題名" ncl:engName="Other Title Information" />
  <xsd:element name="_h" minOccurs="0" maxOccurs="unbounded"
    ncl:chiName="編次" ncl:engName="Number of Part" />
  <xsd:element name="_i" minOccurs="0" maxOccurs="unbounded"
    ncl:chiName="編次名稱" ncl:engName="Name of Part" />
  <xsd:element name="_j" minOccurs="0" ncl:chiName="卷號或日期"
    ncl:engName="Volume or Dates Associated with Title" />
  <xsd:element name="_n" minOccurs="0" ncl:chiName="其他"
    ncl:engName="Miscellaneous Information" />
  <xsd:element name="_p" minOccurs="0" ncl:chiName="卷數"
    ncl:engName="Chuan" />
  <xsd:element name="_z" minOccurs="0" ncl:chiName="語文代碼"
    ncl:engName="Language of Title" />
  <xsd:element name="_r" minOccurs="0" ncl:chiName="羅馬拼音"
    ncl:engName="Romanization of Running Title" />
</xsd:sequence>
<xsd:attribute name="ind1" type="indicatorDataType" use="required" />
<xsd:attribute name="ind2" type="indicatorDataType" use="required" />
</xsd:complexType>
- <xsd:complexType name="tag516Type" id="516Type">
- <xsd:sequence>
  <xsd:element name="_a" ncl:chiName="書背題名" ncl:engName="Spine
    Title" />
  <xsd:element name="_e" minOccurs="0" maxOccurs="unbounded"
    ncl:chiName="副題名" ncl:engName="Other Title Information" />
  <xsd:element name="_h" minOccurs="0" maxOccurs="unbounded"
    ncl:chiName="編次" ncl:engName="Number of Part" />
  <xsd:element name="_i" minOccurs="0" maxOccurs="unbounded"
    ncl:chiName="編次名稱" ncl:engName="Name of Part" />
  <xsd:element name="_j" minOccurs="0" ncl:chiName="卷號或日期"
    ncl:engName="Volume or Dates Associated with Title" />
  <xsd:element name="_n" minOccurs="0" ncl:chiName="其他"
    ncl:engName="Miscellaneous Information" />
  <xsd:element name="_p" minOccurs="0" ncl:chiName="卷數"
    ncl:engName="Chuan" />

```

```

<xsd:element name="_z" minOccurs="0" ncl:chiName="語文代碼"
  ncl:engName="Language of Title" />
<xsd:element name="_r" minOccurs="0" ncl:chiName="羅馬拼音"
  ncl:engName="Romanization of Spine Title" />
</xsd:sequence>
<xsd:attribute name="ind1" type="indicatorDataType" use="required" />
<xsd:attribute name="ind2" type="indicatorDataType" use="required" />
</xsd:complexType>
- <xsd:complexType name="tag517Type" id="517Type">
- <xsd:sequence>
  <xsd:element name="_a" ncl:chiName="其他題名" ncl:engName="Variant
    Title" />
  <xsd:element name="_e" minOccurs="0" maxOccurs="unbounded"
    ncl:chiName="副題名" ncl:engName="Other Title Information" />
  <xsd:element name="_h" minOccurs="0" maxOccurs="unbounded"
    ncl:chiName="編次" ncl:engName="Number of Part" />
  <xsd:element name="_i" minOccurs="0" maxOccurs="unbounded"
    ncl:chiName="編次名稱" ncl:engName="Name of Part" />
  <xsd:element name="_j" minOccurs="0" ncl:chiName="卷號或日期"
    ncl:engName="Volume or Dates Associated with Title" />
  <xsd:element name="_n" minOccurs="0" ncl:chiName="其他"
    ncl:engName="Miscellaneous Information" />
  <xsd:element name="_p" minOccurs="0" ncl:chiName="卷數"
    ncl:engName="Chuan" />
  <xsd:element name="_z" minOccurs="0" ncl:chiName="語文代碼"
    ncl:engName="Language of Title" />
  <xsd:element name="_r" minOccurs="0" ncl:chiName="羅馬拼音"
    ncl:engName="Romanization of Other Variant Titles" />
</xsd:sequence>
<xsd:attribute name="ind1" type="indicatorDataType" use="required" />
<xsd:attribute name="ind2" use="required" fixed="" />
</xsd:complexType>
- <xsd:complexType name="tag520Type" id="520Type">
- <xsd:sequence>
  <xsd:element name="_a" ncl:chiName="舊題名" ncl:engName="Former
    Title Proper" />
  <xsd:element name="_e" minOccurs="0" maxOccurs="unbounded"
    ncl:chiName="副題名" ncl:engName="Other Title Information" />
  <xsd:element name="_h" minOccurs="0" maxOccurs="unbounded"
    ncl:chiName="編次" ncl:engName="Number of Part" />
  <xsd:element name="_i" minOccurs="0" maxOccurs="unbounded"
    ncl:chiName="編次名稱" ncl:engName="Name of Part" />
  <xsd:element name="_j" minOccurs="0" ncl:chiName="卷號或日期"
    ncl:engName="Volumes or Dates of Former Title" />
  <xsd:element name="_n" minOccurs="0" ncl:chiName="其他"
    ncl:engName="Miscellaneous Information" />
  <xsd:element name="_x" minOccurs="0" ncl:chiName="舊題名之ISSN"
    ncl:engName="ISSN of Former Title" />
  <xsd:element name="_z" minOccurs="0" ncl:chiName="語文代碼"
    ncl:engName="Language of Title" />
  <xsd:element name="_r" minOccurs="0" ncl:chiName="羅馬拼音"
    ncl:engName="Romanization of Former Titles" />
</xsd:sequence>
<xsd:attribute name="ind1" type="indicatorDataType" use="required" />
<xsd:attribute name="ind2" type="indicatorDataType" use="required" />

```

```

</xsd:complexType>
- <xsd:complexType name="tag530Type" id="530Type">
- <xsd:sequence>
  <xsd:element name="_a" ncl:chiName="識別題名" ncl:engName="Key
  Title" />
  <xsd:element name="_b" minOccurs="0" ncl:chiName="區別字樣"
  ncl:engName="Qualifier" />
  <xsd:element name="_j" minOccurs="0" ncl:chiName="卷號或日期"
  ncl:engName="Volume or Dates Associated with Key Title" />
</xsd:sequence>
  <xsd:attribute name="ind1" type="indicatorDataType" use="required" />
  <xsd:attribute name="ind2" use="required" fixed="" />
</xsd:complexType>
- <xsd:complexType name="tag531Type" id="531Type">
- <xsd:sequence>
  <xsd:element name="_a" ncl:chiName="簡略題名"
  ncl:engName="Abbreviated Title" />
  <xsd:element name="_b" minOccurs="0" ncl:chiName="區別字樣"
  ncl:engName="Qualifier" />
</xsd:sequence>
  <xsd:attribute name="ind1" type="indicatorDataType" use="required" />
  <xsd:attribute name="ind2" use="required" fixed="" />
</xsd:complexType>
- <xsd:complexType name="tag532Type" id="532Type">
- <xsd:sequence>
  <xsd:element name="_a" ncl:chiName="完整題名"
  ncl:engName="Expanded Title" />
  <xsd:element name="_z" minOccurs="0" ncl:chiName="語文代碼"
  ncl:engName="Language of Title" />
  <xsd:element name="_r" minOccurs="0" ncl:chiName="羅馬拼音"
  ncl:engName="Romanization of Expanded Titles" />
</xsd:sequence>
  <xsd:attribute name="ind1" type="indicatorDataType" use="required" />
  <xsd:attribute name="ind2" use="required" fixed="" />
</xsd:complexType>
- <xsd:complexType name="tag540Type" id="540Type">
- <xsd:sequence>
  <xsd:element name="_a" ncl:chiName="編目員附加題名"
  ncl:engName="Additional Title" />
  <xsd:element name="_z" minOccurs="0" ncl:chiName="語文代碼"
  ncl:engName="Language of Title" />
  <xsd:element name="_r" minOccurs="0" ncl:chiName="羅馬拼音"
  ncl:engName="Romanization of Additional Title Supplied by
  Cataloguer" />
</xsd:sequence>
  <xsd:attribute name="ind1" type="indicatorDataType" use="required" />
  <xsd:attribute name="ind2" type="indicatorDataType" use="required" />
</xsd:complexType>
- <xsd:complexType name="tag541Type" id="541Type">
- <xsd:sequence>
  <xsd:element name="_a" ncl:chiName="編目員翻譯題名"
  ncl:engName="Translated Title" />
  <xsd:element name="_e" minOccurs="0" maxOccurs="unbounded"
  ncl:chiName="副題名" ncl:engName="Other Title Information" />
  <xsd:element name="_h" minOccurs="0" maxOccurs="unbounded"
  ncl:chiName="編次" ncl:engName="Number of a Part" />

```

```

<xsd:element name="_i" minOccurs="0" maxOccurs="unbounded"
  ncl:chiName="編次名稱" ncl:engName="Name of Part" />
<xsd:element name="_j" minOccurs="0" ncl:chiName="卷號或日期"
  ncl:engName="Volumes or Dates of Translated Title" />
<xsd:element name="_n" minOccurs="0" ncl:chiName="其他"
  ncl:engName="Miscellaneous Information" />
<xsd:element name="_p" minOccurs="0" ncl:chiName="卷數"
  ncl:engName="Chuan" />
<xsd:element name="_z" minOccurs="0" ncl:chiName="語文代碼"
  ncl:engName="Language of Title" />
<xsd:element name="_r" minOccurs="0" ncl:chiName="羅馬拼音"
  ncl:engName="Romanization of Translated Title" />
</xsd:sequence>
<xsd:attribute name="ind1" type="indicatorDataType" use="required" />
<xsd:attribute name="ind2" use="required" fixed="" />
</xsd:complexType>
- <!--

```

6XX 「主題分析段」欄位內容宣告

```

-->
- <xsd:complexType name="tag600Type" id="600Type">
- <xsd:sequence>
  <xsd:element name="_a" ncl:chiName="標目主體" ncl:engName="Entry
    Element" />
  <xsd:element name="_b" minOccurs="0" ncl:chiName="副標目"
    ncl:engName="Part of Name Other than Entry Element" />
  <xsd:element name="_c" minOccurs="0" ncl:chiName="年代以外之修飾語"
    ncl:engName="Additions to Name Other than Dates" />
  <xsd:element name="_d" minOccurs="0" ncl:chiName="世代數"
    ncl:engName="Roman Numerals" />
  <xsd:element name="_f" minOccurs="0" maxOccurs="unbounded"
    ncl:chiName="生卒年代" ncl:engName="Dates" />
  <xsd:element name="_g" minOccurs="0" maxOccurs="unbounded"
    ncl:chiName="副標目頭字語全名" ncl:engName="Expansion of Initials of
    Forename" />
  <xsd:element name="_s" minOccurs="0" ncl:chiName="朝代"
    ncl:engName="Dynasty" />
  <xsd:element name="_x" minOccurs="0" maxOccurs="unbounded"
    ncl:chiName="主題複分" ncl:engName="Topical Subdivision" />
  <xsd:element name="_y" minOccurs="0" maxOccurs="unbounded"
    ncl:chiName="地區複分" ncl:engName="Geographical Subdivision" />
  <xsd:element name="_z" minOccurs="0" maxOccurs="unbounded"
    ncl:chiName="時代複分" ncl:engName="Chronological Subdivision" />
  <xsd:element name="_2" ncl:chiName="標題系統代碼"
    ncl:engName="System Code" />
  <xsd:element name="_3" minOccurs="0" ncl:chiName="權威記錄號碼"
    ncl:engName="Authority Record Number" />
</xsd:sequence>
  <xsd:attribute name="ind1" use="required" fixed="" />
  <xsd:attribute name="ind2" type="indicatorDataType" use="required" />
</xsd:complexType>
- <xsd:complexType name="tag601Type" id="601Type">
- <xsd:sequence>
  <xsd:element name="_a" ncl:chiName="標目主體" ncl:engName="Entry

```



```

Element" />
  <xsd:element name="_b" minOccurs="0" maxOccurs="unbounded"
    ncl:chiName="副標目" ncl:engName="Subdivision (or name if entered
    under place)" />
  <xsd:element name="_c" minOccurs="0" maxOccurs="unbounded"
    ncl:chiName="修飾語" ncl:engName="Addition to Name or Qualifier" />
  <xsd:element name="_d" minOccurs="0" ncl:chiName="會議屆次"
    ncl:engName="Number of Meeting and/or Number of Part of a
    Meeting" />
  <xsd:element name="_e" minOccurs="0" ncl:chiName="會議地點"
    ncl:engName="Location of Meeting" />
  <xsd:element name="_f" minOccurs="0" ncl:chiName="會議日期"
    ncl:engName="Date of Meeting" />
  <xsd:element name="_g" minOccurs="0" ncl:chiName="倒置部份"
    ncl:engName="Inverted Element" />
  <xsd:element name="_h" minOccurs="0" maxOccurs="unbounded"
    ncl:chiName="其他部份名稱" ncl:engName="Part of Name Other than
    Entry Element and Inverted Element" />
  <xsd:element name="_s" minOccurs="0" ncl:chiName="朝代"
    ncl:engName="Dynasty" />
  <xsd:element name="_x" minOccurs="0" maxOccurs="unbounded"
    ncl:chiName="主題複分" ncl:engName="Topical Subdivision" />
  <xsd:element name="_y" minOccurs="0" maxOccurs="unbounded"
    ncl:chiName="地區複分" ncl:engName="Geographical Subdivision" />
  <xsd:element name="_z" minOccurs="0" maxOccurs="unbounded"
    ncl:chiName="時代複分" ncl:engName="Chronological Subdivision" />
  <xsd:element name="_2" ncl:chiName="標題系統代碼"
    ncl:engName="System Code" />
  <xsd:element name="_3" minOccurs="0" ncl:chiName="權威記錄號碼"
    ncl:engName="Authority Record Number" />
</xsd:sequence>
  <xsd:attribute name="ind1" type="indicatorDataType" use="required" />
  <xsd:attribute name="ind2" type="indicatorDataType" use="required" />
</xsd:complexType>
- <xsd:complexType name="tag602Type" id="602Type">
- <xsd:sequence>
  <xsd:element name="_a" ncl:chiName="標目主體" ncl:engName="Entry
  Element" />
  <xsd:element name="_f" minOccurs="0" ncl:chiName="家族年代"
    ncl:engName="Dates" />
  <xsd:element name="_x" minOccurs="0" maxOccurs="unbounded"
    ncl:chiName="主題複分" ncl:engName="Topical Subdivision" />
  <xsd:element name="_y" minOccurs="0" maxOccurs="unbounded"
    ncl:chiName="地區複分" ncl:engName="Geographical Subdivision" />
  <xsd:element name="_z" minOccurs="0" maxOccurs="unbounded"
    ncl:chiName="時代複分" ncl:engName="Chronological Subdivision" />
  <xsd:element name="_2" ncl:chiName="標題系統代碼"
    ncl:engName="System Code" />
  <xsd:element name="_3" minOccurs="0" ncl:chiName="權威記錄號碼"
    ncl:engName="Authority Record Number" />
</xsd:sequence>
  <xsd:attribute name="ind1" use="required" fixed="" />
  <xsd:attribute name="ind2" use="required" fixed="" />
</xsd:complexType>
- <xsd:complexType name="tag604Type" id="604Type">

```

```

- <xsd:sequence>
  <xsd:element name="_1" maxOccurs="unbounded" ncl:chiName="相關之資料欄位" ncl:engName="Linking Data" />
</xsd:sequence>
<xsd:attribute name="ind1" use="required" fixed="" />
<xsd:attribute name="ind2" use="required" fixed="" />
</xsd:complexType>
- <xsd:complexType name="tag605Type" id="605Type">
- <xsd:sequence>
  <xsd:element name="_a" ncl:chiName="標目主體" ncl:engName="Entry Element" />
  <xsd:element name="_h" minOccurs="0" maxOccurs="unbounded" ncl:chiName="編次" ncl:engName="Number of Section or Part" />
  <xsd:element name="_i" minOccurs="0" maxOccurs="unbounded" ncl:chiName="編次名稱" ncl:engName="Name of Section or Part" />
  <xsd:element name="_k" minOccurs="0" ncl:chiName="出版日期" ncl:engName="Date of Publication" />
  <xsd:element name="_l" minOccurs="0" maxOccurs="unbounded" ncl:chiName="形式副標目" ncl:engName="Form Subheading" />
  <xsd:element name="_m" minOccurs="0" maxOccurs="unbounded" ncl:chiName="作品語文" ncl:engName="Language (when part of heading)" />
  <xsd:element name="_q" minOccurs="0" ncl:chiName="譯本/版本" ncl:engName="Version (or date of version)" />
  <xsd:element name="_n" minOccurs="0" maxOccurs="unbounded" ncl:chiName="其他" ncl:engName="Miscellaneous Information" />
  <xsd:element name="_x" minOccurs="0" maxOccurs="unbounded" ncl:chiName="主題複分" ncl:engName="Topical Subdivision" />
  <xsd:element name="_y" minOccurs="0" maxOccurs="unbounded" ncl:chiName="地區複分" ncl:engName="Geographical Subdivision" />
  <xsd:element name="_z" minOccurs="0" maxOccurs="unbounded" ncl:chiName="時代複分" ncl:engName="Chronological Subdivision" />
  <xsd:element name="_2" ncl:chiName="標題系統代碼" ncl:engName="System Code" />
  <xsd:element name="_3" minOccurs="0" ncl:chiName="權威記錄號碼" ncl:engName="Authority Record Number" />
</xsd:sequence>
<xsd:attribute name="ind1" use="required" fixed="" />
<xsd:attribute name="ind2" use="required" fixed="" />
</xsd:complexType>
- <xsd:complexType name="tag606Type" id="606Type">
- <xsd:sequence>
  <xsd:element name="_a" ncl:chiName="標目主體" ncl:engName="Entry Element" />
  <xsd:element name="_x" minOccurs="0" maxOccurs="unbounded" ncl:chiName="主題複分" ncl:engName="Topical Subdivision" />
  <xsd:element name="_y" minOccurs="0" maxOccurs="unbounded" ncl:chiName="地區複分" ncl:engName="Geographical Subdivision" />
  <xsd:element name="_z" minOccurs="0" maxOccurs="unbounded" ncl:chiName="時代複分" ncl:engName="Chronological Subdivision" />
  <xsd:element name="_2" ncl:chiName="標題系統代碼" ncl:engName="System Code" />
  <xsd:element name="_3" minOccurs="0" ncl:chiName="權威記錄號碼" ncl:engName="Authority Record Number" />

```

```

</xsd:sequence>
<xsd:attribute name="ind1" use="required" fixed="" />
<xsd:attribute name="ind2" use="required" fixed="" />
</xsd:complexType>
- <xsd:complexType name="tag608Type" id="608Type">
- <xsd:sequence>
  <xsd:element name="_a" ncl:chiName="檢索名稱" ncl:engName="Access
    Terms" />
  <xsd:element name="_x" minOccurs="0" maxOccurs="unbounded"
    ncl:chiName="檢索名稱複分" ncl:engName="General Subdivision" />
  <xsd:element name="_3" minOccurs="0" ncl:chiName="權威記錄號碼"
    ncl:engName="Authority Record Number" />
</xsd:sequence>
<xsd:attribute name="ind1" type="indicatorDataType" use="required" />
<xsd:attribute name="ind2" type="indicatorDataType" use="required" />
</xsd:complexType>
- <xsd:complexType name="tag610Type" id="610Type">
- <xsd:sequence>
  <xsd:element name="_a" maxOccurs="unbounded" ncl:chiName="標目主
    體" ncl:engName="Subject Term" />
</xsd:sequence>
<xsd:attribute name="ind1" use="required" fixed="" />
<xsd:attribute name="ind2" type="indicatorDataType" use="required" />
</xsd:complexType>
- <xsd:complexType name="tag620Type" id="620Type">
- <xsd:sequence>
  <xsd:element name="_a" minOccurs="0" ncl:chiName="國名"
    ncl:engName="Country" />
  <xsd:element name="_b" minOccurs="0" ncl:chiName="州(省)名"
    ncl:engName="State or Province etc." />
  <xsd:element name="_c" minOccurs="0" ncl:chiName="郡(縣)名"
    ncl:engName="County" />
  <xsd:element name="_d" minOccurs="0" ncl:chiName="市名"
    ncl:engName="City" />
</xsd:sequence>
<xsd:attribute name="ind1" type="indicatorDataType" use="required" />
<xsd:attribute name="ind2" use="required" fixed="" />
</xsd:complexType>
- <xsd:complexType name="tag626Type" id="626Type">
- <xsd:sequence>
  <xsd:element name="_a" minOccurs="0" ncl:chiName="電腦機型"
    ncl:engName="Make and Model of Machines" />
  <xsd:element name="_b" minOccurs="0" ncl:chiName="程式語言"
    ncl:engName="Make and Model of Machines" />
  <xsd:element name="_c" minOccurs="0" ncl:chiName="操作系統名稱"
    ncl:engName="Operating System" />
</xsd:sequence>
<xsd:attribute name="ind1" use="required" fixed="" />
<xsd:attribute name="ind2" use="required" fixed="" />
</xsd:complexType>
- <xsd:complexType name="tag660Type" id="660Type">
- <xsd:sequence>
  <xsd:element name="_a" ncl:chiName="代碼" ncl:engName="Code" />
</xsd:sequence>
<xsd:attribute name="ind1" use="required" fixed="" />

```

```

    <xsd:attribute name="ind2" use="required" fixed="" />
  </xsd:complexType>
- <xsd:complexType name="tag661Type" id="661Type">
  - <xsd:sequence>
    <xsd:element name="_a" ncl:chiName="代碼" ncl:engName="Time Period
      Code" />
  </xsd:sequence>
  <xsd:attribute name="ind1" use="required" fixed="" />
  <xsd:attribute name="ind2" use="required" fixed="" />
</xsd:complexType>
- <xsd:complexType name="tag670Type" id="670Type">
  - <xsd:sequence>
    <xsd:element name="_a" minOccurs="0" ncl:chiName="主題代號"
      ncl:engName="Subject Indicator Number" />
    <xsd:element name="_c" minOccurs="0" ncl:chiName="字串"
      ncl:engName="String" />
    <xsd:element name="_e" minOccurs="0" maxOccurs="unbounded"
      ncl:chiName="主題參照代號" ncl:engName="Reference Indicator
      Number" />
    <xsd:element name="_z" minOccurs="0" ncl:chiName="主題語文代碼"
      ncl:engName="Language of Terms" />
  </xsd:sequence>
  <xsd:attribute name="ind1" use="required" fixed="" />
  <xsd:attribute name="ind2" use="required" fixed="" />
</xsd:complexType>
- <xsd:complexType name="tag675Type" id="675Type">
  - <xsd:sequence>
    <xsd:element name="_a" ncl:chiName="分類號"
      ncl:engName="Number" />
    <xsd:element name="_v" minOccurs="0" ncl:chiName="版本"
      ncl:engName="Edition" />
    <xsd:element name="_z" minOccurs="0" ncl:chiName="版本語文"
      ncl:engName="Language of Edition" />
  </xsd:sequence>
  <xsd:attribute name="ind1" use="required" fixed="" />
  <xsd:attribute name="ind2" use="required" fixed="" />
</xsd:complexType>
- <xsd:complexType name="tag676Type" id="676Type">
  - <xsd:sequence>
    <xsd:element name="_a" ncl:chiName="分類號" ncl:engName="Class
      Number" />
    <xsd:element name="_v" minOccurs="0" ncl:chiName="版本"
      ncl:engName="Edition" />
  </xsd:sequence>
  <xsd:attribute name="ind1" use="required" fixed="" />
  <xsd:attribute name="ind2" use="required" fixed="" />
</xsd:complexType>
- <xsd:complexType name="tag680Type" id="680Type">
  - <xsd:sequence>
    <xsd:element name="_a" ncl:chiName="分類號" ncl:engName="Class
      Number" />
    <xsd:element name="_b" minOccurs="0" ncl:chiName="書號"
      ncl:engName="Book Number" />
  </xsd:sequence>
  <xsd:attribute name="ind1" use="required" fixed="" />
  <xsd:attribute name="ind2" use="required" fixed="" />

```

```

</xsd:complexType>
- <xsd:complexType name="tag681Type" id="681Type">
- <xsd:sequence>
  <xsd:element name="_a" ncl:chiName="分類號" ncl:engName="Class
    Number" />
  <xsd:element name="_b" minOccurs="0" ncl:chiName="書號"
    ncl:engName="Book Number" />
  <xsd:element name="_v" minOccurs="0" ncl:chiName="版本"
    ncl:engName="Edition" />
</xsd:sequence>
<xsd:attribute name="ind1" use="required" fixed="" />
<xsd:attribute name="ind2" use="required" fixed="" />
</xsd:complexType>
- <xsd:complexType name="tag687Type" id="687Type">
- <xsd:sequence>
  <xsd:element name="_a" maxOccurs="unbounded" ncl:chiName="分類號"
    ncl:engName="Class Number" />
  <xsd:element name="_b" minOccurs="0" maxOccurs="unbounded"
    ncl:chiName="書號" ncl:engName="Book Number" />
  <xsd:element name="_c" minOccurs="0" maxOccurs="unbounded"
    ncl:chiName="複分" ncl:engName="Classification Subdivision" />
  <xsd:element name="_d" minOccurs="0" ncl:chiName="分類系統代碼"
    ncl:engName="System Code" />
</xsd:sequence>
<xsd:attribute name="ind1" use="required" fixed="" />
<xsd:attribute name="ind2" use="required" fixed="" />
</xsd:complexType>
- <!--

```

7XX 「著者段」欄位內容宣告

```

-->
<!-- 1. 個人作者 -->
- <xsd:complexType name="tag700Type" id="700Type">
- <xsd:sequence>
  <xsd:element name="_a" maxOccurs="unbounded" ncl:chiName="標目主
    體" ncl:engName="Entry Element" />
  <xsd:element name="_b" minOccurs="0" ncl:chiName="副標目"
    ncl:engName="Part of Name Other than Element" />
  <xsd:element name="_c" minOccurs="0" maxOccurs="unbounded"
    ncl:chiName="年代以外之修飾語" ncl:engName="Additions to Names
    Other than Dates" />
  <xsd:element name="_d" minOccurs="0" ncl:chiName="世代數"
    ncl:engName="Roman Numerals" />
  <xsd:element name="_f" minOccurs="0" ncl:chiName="生卒年代"
    ncl:engName="Dates" />
  <xsd:element name="_g" minOccurs="0" maxOccurs="unbounded"
    ncl:chiName="副標目頭字語全名" ncl:engName="Expansion of Initials of
    Forename" />
  <xsd:element name="_s" minOccurs="0" ncl:chiName="朝代"
    ncl:engName="Dynasty" />
  <xsd:element name="_3" minOccurs="0" ncl:chiName="權威記錄號碼"
    ncl:engName="Authority Record Number" />
  <xsd:element name="_4" minOccurs="0" maxOccurs="unbounded"
    ncl:chiName="著作方式" ncl:engName="Designation of Function" />

```

```

</xsd:sequence>
<xsd:attribute name="ind1" use="required" fixed="" />
<xsd:attribute name="ind2" type="indicatorDataType" use="required" />
</xsd:complexType>
- <xsd:complexType name="tag770Type" id="770Type">
- <xsd:sequence>
  <xsd:element name="_a" maxOccurs="unbounded" ncl:chiName="標目主體" ncl:engName="Entry Element" />
  <xsd:element name="_b" minOccurs="0" ncl:chiName="副標目" ncl:engName="Part of Name Other than Entry" />
  <xsd:element name="_c" minOccurs="0" maxOccurs="unbounded" ncl:chiName="年代以外之修飾語" ncl:engName="Additions to Name Other than Dates" />
  <xsd:element name="_d" minOccurs="0" ncl:chiName="世代數" ncl:engName="Roman Numerals" />
  <xsd:element name="_f" minOccurs="0" ncl:chiName="生卒年代" ncl:engName="Dates" />
  <xsd:element name="_g" minOccurs="0" ncl:chiName="副標目頭字語全名" ncl:engName="Expansion of Initials of Forename" />
  <xsd:element name="_3" minOccurs="0" ncl:chiName="權威記錄號碼" ncl:engName="Authority Record Number" />
  <xsd:element name="_4" minOccurs="0" maxOccurs="unbounded" ncl:chiName="著作方式" ncl:engName="Designation of Function" />
</xsd:sequence>
<xsd:attribute name="ind1" use="required" fixed="" />
<xsd:attribute name="ind2" type="indicatorDataType" use="required" />
</xsd:complexType>
- <xsd:complexType name="tag702Type" id="702Type">
- <xsd:sequence>
  <xsd:element name="_a" ncl:chiName="標目主體" ncl:engName="Entry Element" />
  <xsd:element name="_b" minOccurs="0" ncl:chiName="副標目" ncl:engName="Part of Name Other than Element" />
  <xsd:element name="_c" minOccurs="0" maxOccurs="unbounded" ncl:chiName="年代以外之修飾語" ncl:engName="Additions to Names Other than Dates" />
  <xsd:element name="_d" minOccurs="0" ncl:chiName="世代數" ncl:engName="Roman Numerals" />
  <xsd:element name="_f" minOccurs="0" ncl:chiName="生卒年代" ncl:engName="Dates" />
  <xsd:element name="_g" minOccurs="0" ncl:chiName="副標目頭字語全名" ncl:engName="Expansion of Initials of Forename" />
  <xsd:element name="_s" minOccurs="0" ncl:chiName="朝代" ncl:engName="Dynasty" />
  <xsd:element name="_t" minOccurs="0" ncl:chiName="題名" ncl:engName="Title" />
  <xsd:element name="_3" minOccurs="0" ncl:chiName="權威記錄號碼" ncl:engName="Authority Record Number" />
  <xsd:element name="_4" minOccurs="0" maxOccurs="unbounded" ncl:chiName="著作方式" ncl:engName="Designation of Function" />
</xsd:sequence>
<xsd:attribute name="ind1" use="required" fixed="" />
<xsd:attribute name="ind2" type="indicatorDataType" use="required" />
</xsd:complexType>
<!-- 2. 圖體作者 -->

```

```

- <xsd:complexType name="tag710Type" id="710Type">
- <xsd:sequence>
  <xsd:element name="_a" ncl:chiName="標目主體" ncl:engName="Entry
    Element" />
  <xsd:element name="_b" minOccurs="0" maxOccurs="unbounded"
    ncl:chiName="副標目" ncl:engName="Subdivision" />
  <xsd:element name="_c" minOccurs="0" maxOccurs="unbounded"
    ncl:chiName="修飾語" ncl:engName="Addition to Name or Qualifier" />
  <xsd:element name="_d" minOccurs="0" ncl:chiName="會議屆次"
    ncl:engName="Number of Meeting and/or Number of Part of
    Meeting" />
  <xsd:element name="_e" minOccurs="0" ncl:chiName="會議地點"
    ncl:engName="Location of Meeting" />
  <xsd:element name="_f" minOccurs="0" ncl:chiName="會議日期"
    ncl:engName="Date of Meeting" />
  <xsd:element name="_g" minOccurs="0" ncl:chiName="倒置部份"
    ncl:engName="Inverted Element" />
  <xsd:element name="_h" minOccurs="0" maxOccurs="unbounded"
    ncl:chiName="其他部份名稱" ncl:engName="Part of Name Other than
    Entry Element and Inverted Element" />
  <xsd:element name="_s" minOccurs="0" ncl:chiName="朝代"
    ncl:engName="Dynasty" />
  <xsd:element name="_3" minOccurs="0" ncl:chiName="權威記錄號碼"
    ncl:engName="Authority Record Number" />
  <xsd:element name="_4" minOccurs="0" maxOccurs="unbounded"
    ncl:chiName="著作方式" ncl:engName="Designation of Function" />
</xsd:sequence>
  <xsd:attribute name="ind1" type="indicatorDataType" use="required" />
  <xsd:attribute name="ind2" type="indicatorDataType" use="required" />
</xsd:complexType>
- <xsd:complexType name="tag780Type" id="780Type">
- <xsd:sequence>
  <xsd:element name="_a" ncl:chiName="標目主體" ncl:engName="Entry
    Element" />
  <xsd:element name="_b" minOccurs="0" maxOccurs="unbounded"
    ncl:chiName="副標目" ncl:engName="Subdivision (or name if entered
    under place)" />
  <xsd:element name="_c" minOccurs="0" maxOccurs="unbounded"
    ncl:chiName="修飾語" ncl:engName="Addition to Name or Qualifier" />
  <xsd:element name="_d" minOccurs="0" ncl:chiName="會議屆次"
    ncl:engName="Number of Meeting" />
  <xsd:element name="_e" minOccurs="0" ncl:chiName="會議地點"
    ncl:engName="Location of Meeting" />
  <xsd:element name="_f" minOccurs="0" ncl:chiName="會議日期"
    ncl:engName="Date of Meeting" />
  <xsd:element name="_g" minOccurs="0" ncl:chiName="倒置部份"
    ncl:engName="Inverted Element" />
  <xsd:element name="_h" minOccurs="0" maxOccurs="unbounded"
    ncl:chiName="其他部份名稱" ncl:engName="Part of Name Other than
    Entry Element and Inverted Element" />
  <xsd:element name="_3" minOccurs="0" ncl:chiName="權威記錄號碼"
    ncl:engName="Authority Record Number" />
  <xsd:element name="_4" minOccurs="0" maxOccurs="unbounded"
    ncl:chiName="著作方式" ncl:engName="Designation of Function" />
</xsd:sequence>

```

```

    <xsd:attribute name="ind1" type="indicatorDataType" use="required" />
    <xsd:attribute name="ind2" type="indicatorDataType" use="required" />
  </xsd:complexType>
- <xsd:complexType name="tag712Type" id="712Type">
- <xsd:sequence>
  <xsd:element name="_a" ncl:chiName="標目主體" ncl:engName="Entry
    Element" />
  <xsd:element name="_b" minOccurs="0" maxOccurs="unbounded"
    ncl:chiName="副標目" ncl:engName="Subdivision" />
  <xsd:element name="_c" minOccurs="0" maxOccurs="unbounded"
    ncl:chiName="修飾語" ncl:engName="Addition to Name or Qualifier" />
  <xsd:element name="_d" minOccurs="0" ncl:chiName="會議屆次"
    ncl:engName="Number of Meeting and/or Number of Part of
    Meeting" />
  <xsd:element name="_e" minOccurs="0" ncl:chiName="會議地點"
    ncl:engName="Location of Meeting" />
  <xsd:element name="_f" minOccurs="0" ncl:chiName="會議日期"
    ncl:engName="Date of Meeting" />
  <xsd:element name="_g" minOccurs="0" ncl:chiName="倒置部份"
    ncl:engName="Inverted Element" />
  <xsd:element name="_h" minOccurs="0" maxOccurs="unbounded"
    ncl:chiName="其他部份名稱" ncl:engName="Part of Name Other than
    Entry Element and Inverted Element" />
  <xsd:element name="_s" minOccurs="0" ncl:chiName="朝代"
    ncl:engName="Dynasty" />
  <xsd:element name="_t" minOccurs="0" ncl:chiName="題名"
    ncl:engName="Title" />
  <xsd:element name="_3" minOccurs="0" ncl:chiName="權威記錄號碼"
    ncl:engName="Authority Record Number" />
  <xsd:element name="_4" minOccurs="0" maxOccurs="unbounded"
    ncl:chiName="著作方式" ncl:engName="Designation of Function" />
</xsd:sequence>
  <xsd:attribute name="ind1" type="indicatorDataType" use="required" />
  <xsd:attribute name="ind2" type="indicatorDataType" use="required" />
</xsd:complexType>
<!-- 3. 家族作者 -->
- <xsd:complexType name="tag720Type" id="720Type">
- <xsd:sequence>
  <xsd:element name="_a" ncl:chiName="標目主體" ncl:engName="Entry
    Element" />
  <xsd:element name="_f" minOccurs="0" ncl:chiName="家族年代"
    ncl:engName="Dates" />
  <xsd:element name="_3" minOccurs="0" ncl:chiName="權威記錄號碼"
    ncl:engName="Authority Record Number" />
  <xsd:element name="_4" minOccurs="0" maxOccurs="unbounded"
    ncl:chiName="著作方式" ncl:engName="Designation of Function" />
</xsd:sequence>
  <xsd:attribute name="ind1" use="required" fixed="" />
  <xsd:attribute name="ind2" use="required" fixed="" />
</xsd:complexType>
- <!--

```



```

- <xsd:complexType name="tag801Type" id="801Type">
- <xsd:sequence>
  <xsd:element name="_a" minOccurs="0" ncl:chiName="國家代碼"
    ncl:engName="Country" />
  <xsd:element name="_b" minOccurs="0" ncl:chiName="單位簡稱/代碼"
    ncl:engName="Agency" />
  <xsd:element name="_c" minOccurs="0" ncl:chiName="處理日期"
    ncl:engName="Date of Transaction" />
  <xsd:element name="_g" minOccurs="0" maxOccurs="unbounded"
    ncl:chiName="編目規則代碼" ncl:engName="Cataloguing Rules
    (Descriptive Conventions)" />
</xsd:sequence>
  <xsd:attribute name="ind1" use="required" fixed="" />
  <xsd:attribute name="ind2" type="indicatorDataType" use="required" />
</xsd:complexType>
- <xsd:complexType name="tag802Type" id="802Type">
- <xsd:sequence>
  <xsd:element name="_a" ncl:chiName="中心代碼" ncl:engName="ISDS
    Centre Code" />
</xsd:sequence>
  <xsd:attribute name="ind1" use="required" fixed="" />
  <xsd:attribute name="ind2" use="required" fixed="" />
</xsd:complexType>
- <xsd:complexType name="tag805Type" id="805Type">
- <xsd:sequence>
  <xsd:element name="_a" minOccurs="0" ncl:chiName="單位簡稱/代碼"
    ncl:engName="Agency Code" />
  <xsd:element name="_b" minOccurs="0" maxOccurs="unbounded"
    ncl:chiName="次層單位簡稱/代碼" ncl:engName="Sublocation" />
  <xsd:element name="_c" minOccurs="0" maxOccurs="unbounded"
    ncl:chiName="登錄號" ncl:engName="Accession Number" />
  <xsd:element name="_d" minOccurs="0" maxOccurs="unbounded"
    ncl:chiName="分類號" ncl:engName="Class Number" />
  <xsd:element name="_e" minOccurs="0" maxOccurs="unbounded"
    ncl:chiName="書號" ncl:engName="Book Number" />
  <xsd:element name="_f" minOccurs="0" maxOccurs="unbounded"
    ncl:chiName="編目者、審核者等" ncl:engName="Cataloger" />
  <xsd:element name="_g" minOccurs="0" maxOccurs="unbounded"
    ncl:chiName="卷期名稱" ncl:engName="Name of Volume, Number" />
  <xsd:element name="_m" minOccurs="0" maxOccurs="unbounded"
    ncl:chiName="缺期" ncl:engName="Lacking Volume" />
  <xsd:element name="_n" minOccurs="0" maxOccurs="unbounded"
    ncl:chiName="註記" ncl:engName="Remark" />
  <xsd:element name="_p" minOccurs="0" maxOccurs="unbounded"
    ncl:chiName="特藏符號" ncl:engName="Prefix" />
  <xsd:element name="_t" minOccurs="0" maxOccurs="unbounded"
    ncl:chiName="分類系統代碼" ncl:engName="Code of Classification
    System" />
  <xsd:element name="_v" minOccurs="0" maxOccurs="unbounded"
    ncl:chiName="版本" ncl:engName="Edition" />
  <xsd:element name="_y" minOccurs="0" maxOccurs="unbounded"
    ncl:chiName="日期(年、月)、冊次號、年代號" ncl:engName="Date (year,
    month)" />
  <xsd:element name="_1" minOccurs="0" maxOccurs="unbounded"
    ncl:chiName="卷期層次" ncl:engName="Level of Volume Number" />

```

```

<xsd:element name="_2" minOccurs="0" maxOccurs="unbounded"
  ncl:chiName="卷期層次" ncl:engName="Level of Volume Number" />
<xsd:element name="_3" minOccurs="0" maxOccurs="unbounded"
  ncl:chiName="卷期層次" ncl:engName="Level of Volume Number" />
<xsd:element name="_4" minOccurs="0" maxOccurs="unbounded"
  ncl:chiName="卷期層次" ncl:engName="Level of Volume Number" />
<xsd:element name="_5" minOccurs="0" maxOccurs="unbounded"
  ncl:chiName="卷期層次" ncl:engName="Level of Volume Number" />
<xsd:element name="_6" minOccurs="0" maxOccurs="unbounded"
  ncl:chiName="卷期層次" ncl:engName="Level of Volume Number" />
<xsd:element name="_7" minOccurs="0" maxOccurs="unbounded"
  ncl:chiName="卷期層次" ncl:engName="Level of Volume Number" />
</xsd:sequence>
<xsd:attribute name="ind1" use="required" fixed="" />
<xsd:attribute name="ind2" use="required" fixed="" />
</xsd:complexType>
- <!--

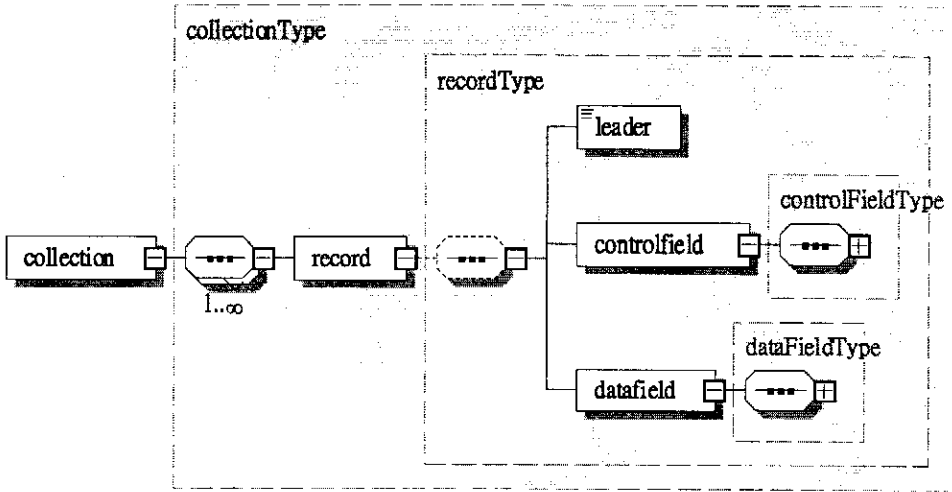
      @@
      通用定義區
      @@

-->
<!-- 各Tag欄位非空格之指標定義 -->
- <xsd:simpleType name="indicatorDataType" id="ind.st">
- <xsd:restriction base="xsd:string">
  <xsd:whiteSpace value="preserve" />
  <xsd:pattern value="[\d| ]{1}" />
</xsd:restriction>
</xsd:simpleType>
<!-- collection, record 元素使用 -->
- <xsd:simpleType name="idDataType" id="id.st">
  <xsd:restriction base="xsd:ID" />
</xsd:simpleType>
</xsd:schema>

```

二、XML Schema 架構圖

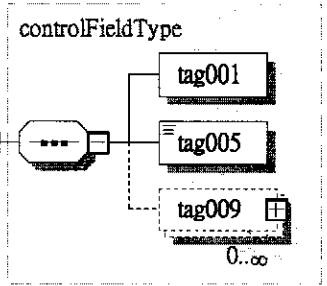
(一) 最外層架構圖



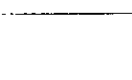
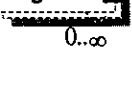
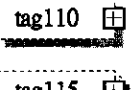
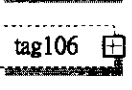
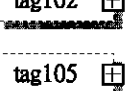
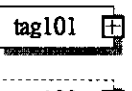
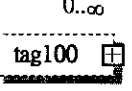
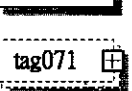
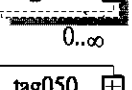
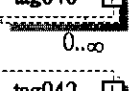
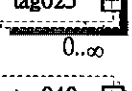
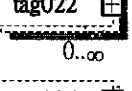
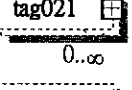
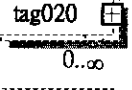
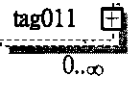
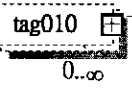
(二) 中間層架構圖

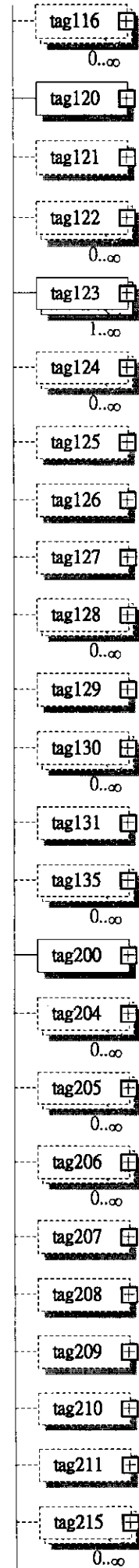
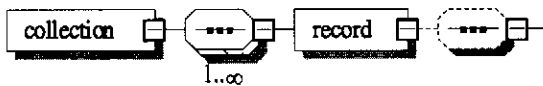
collectionType

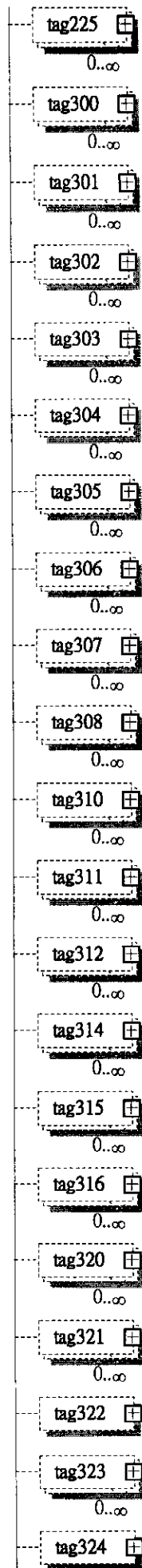
recordType

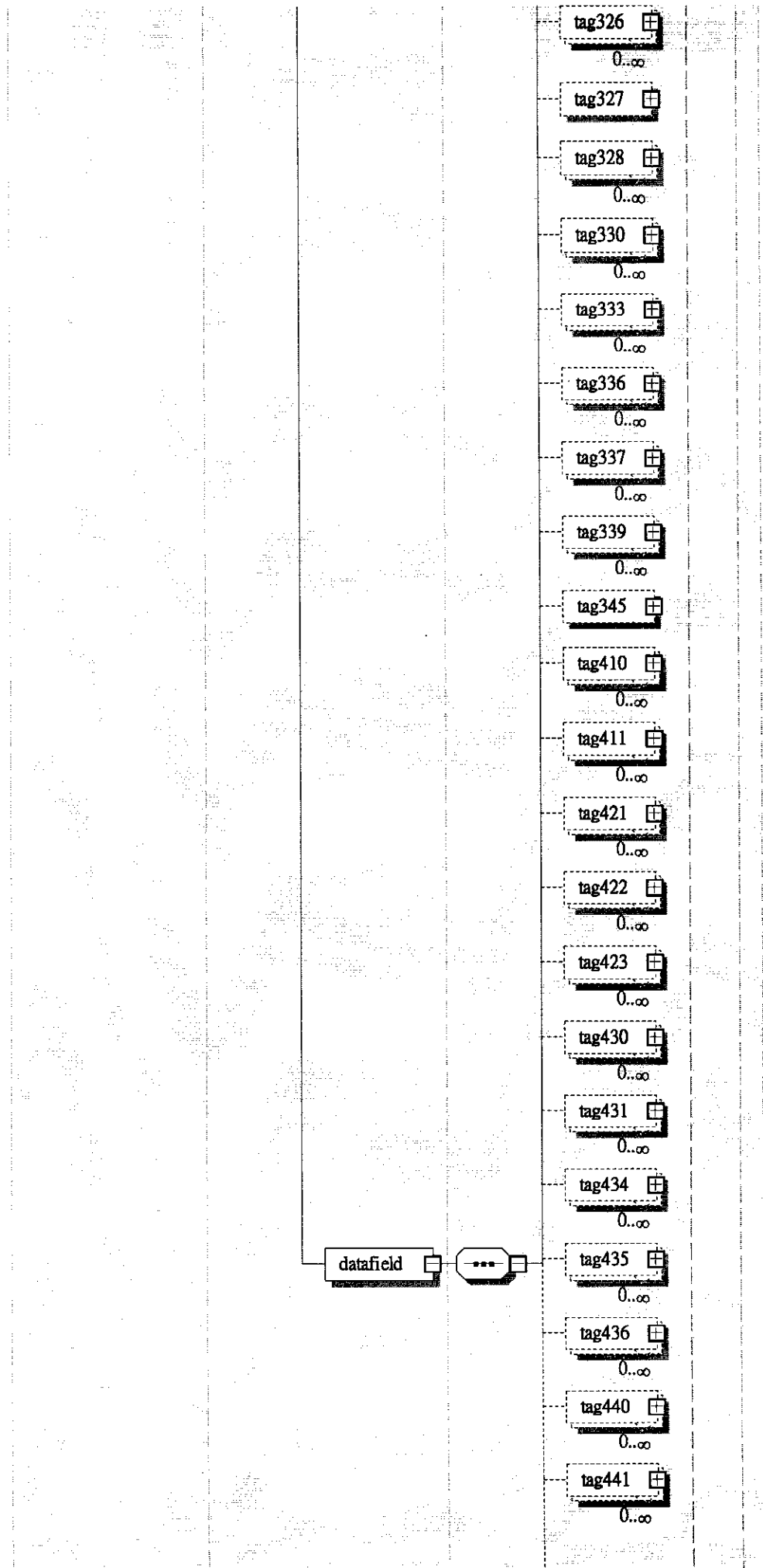


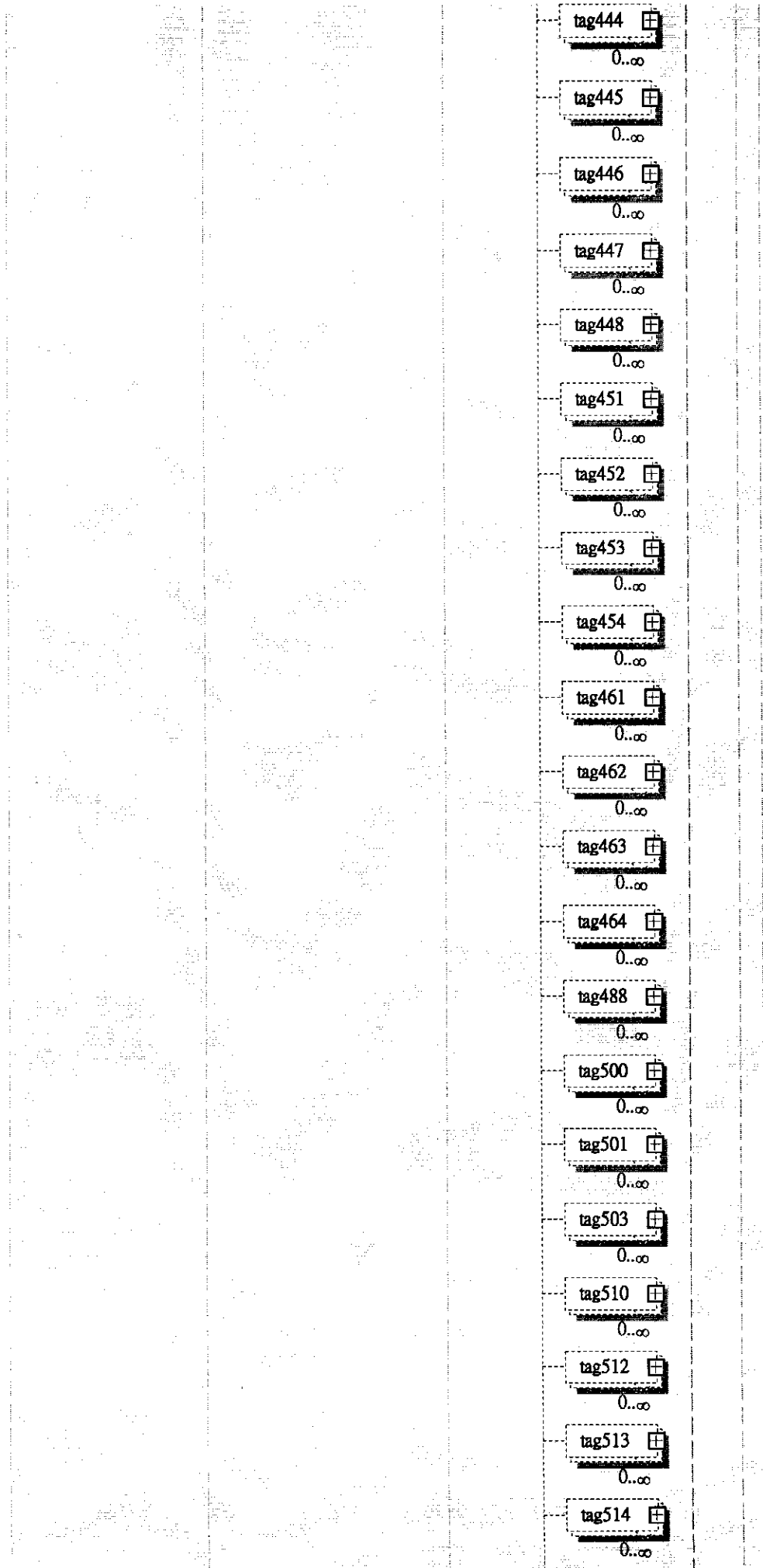
dataFieldType

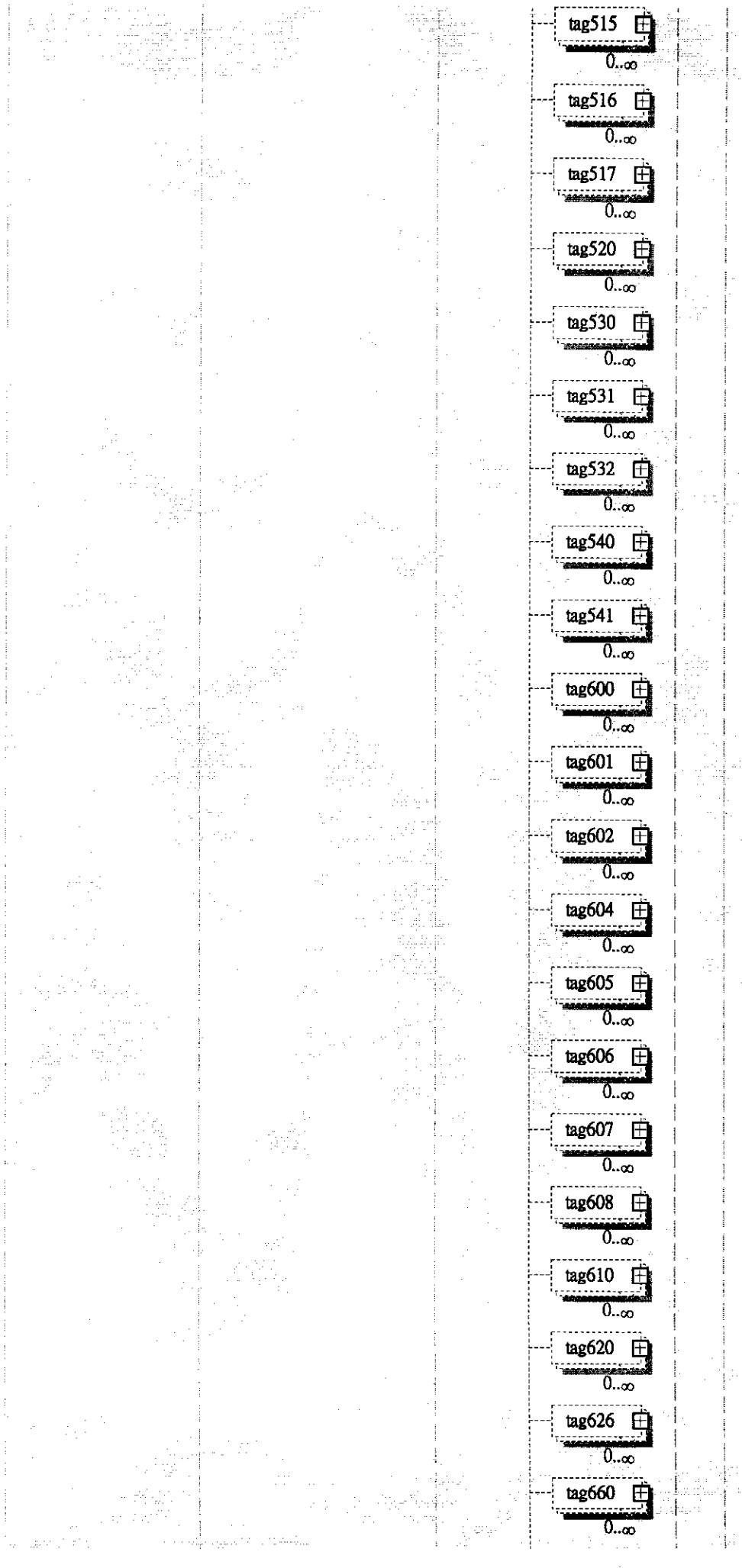


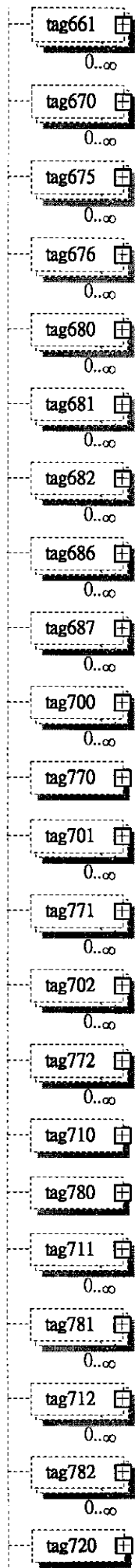


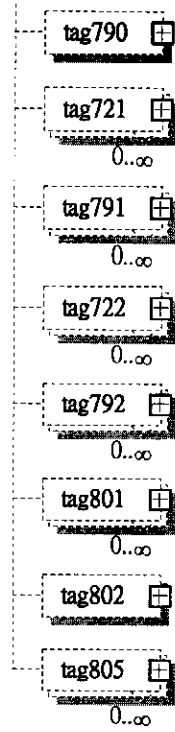




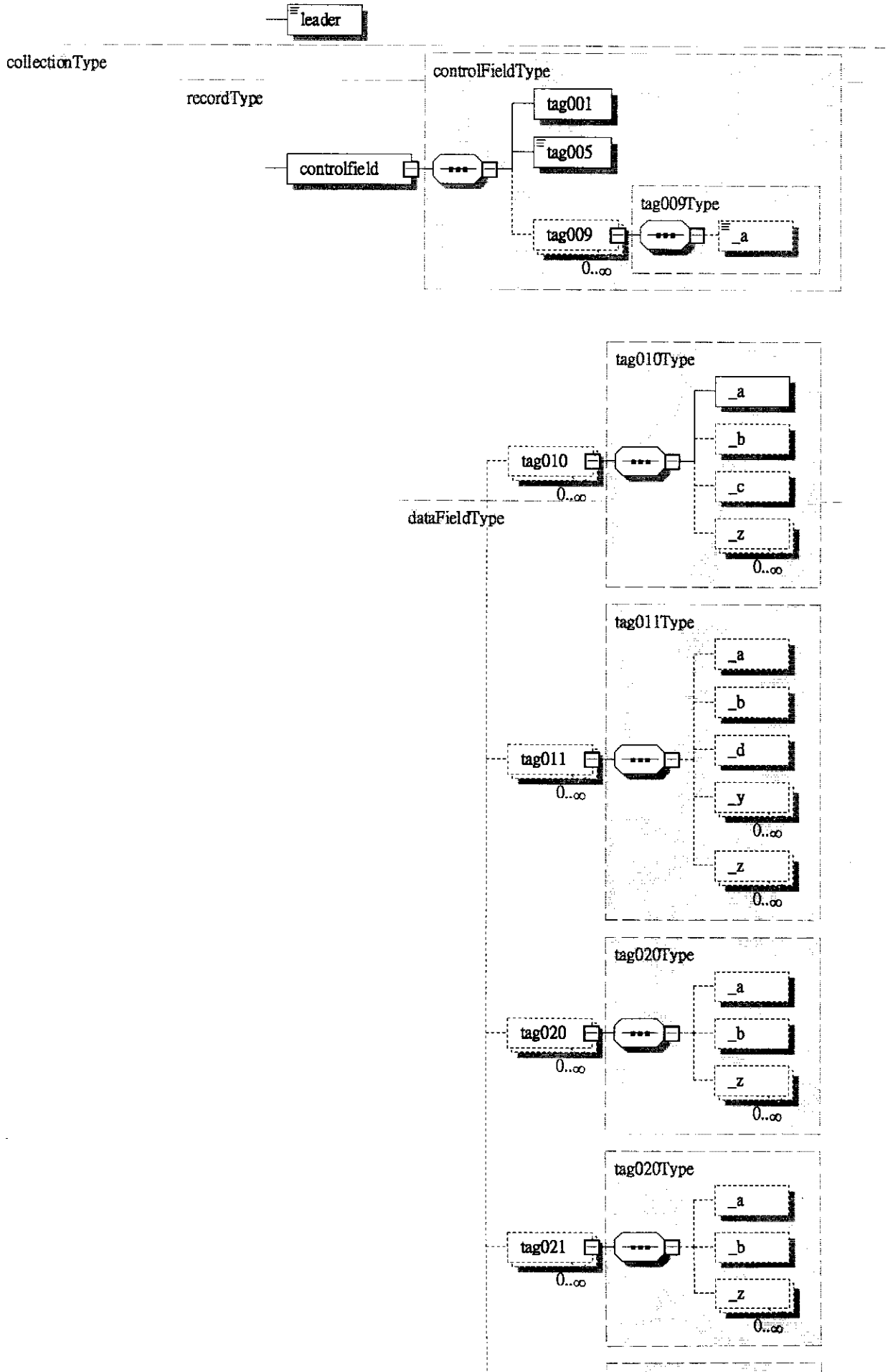


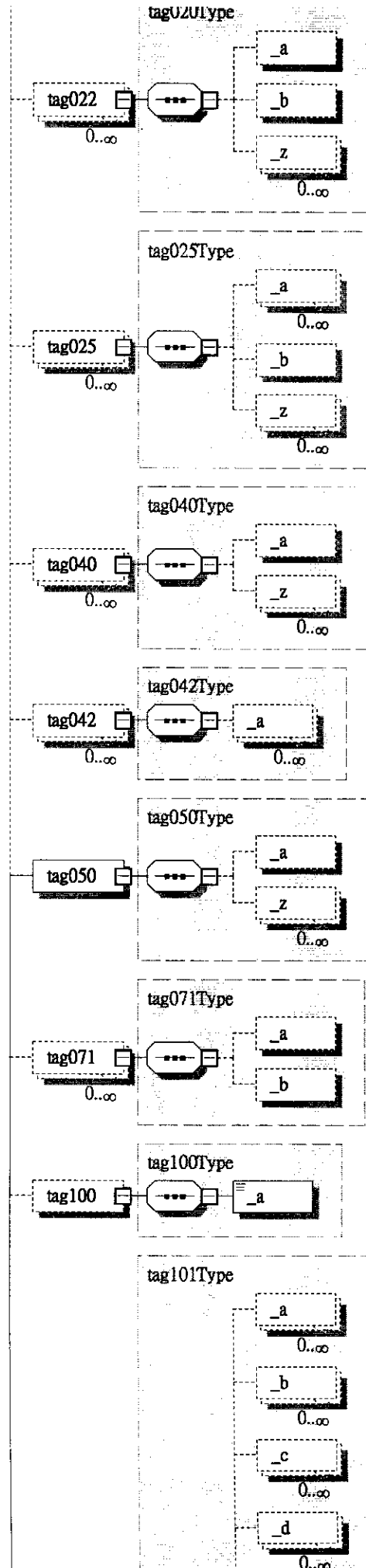


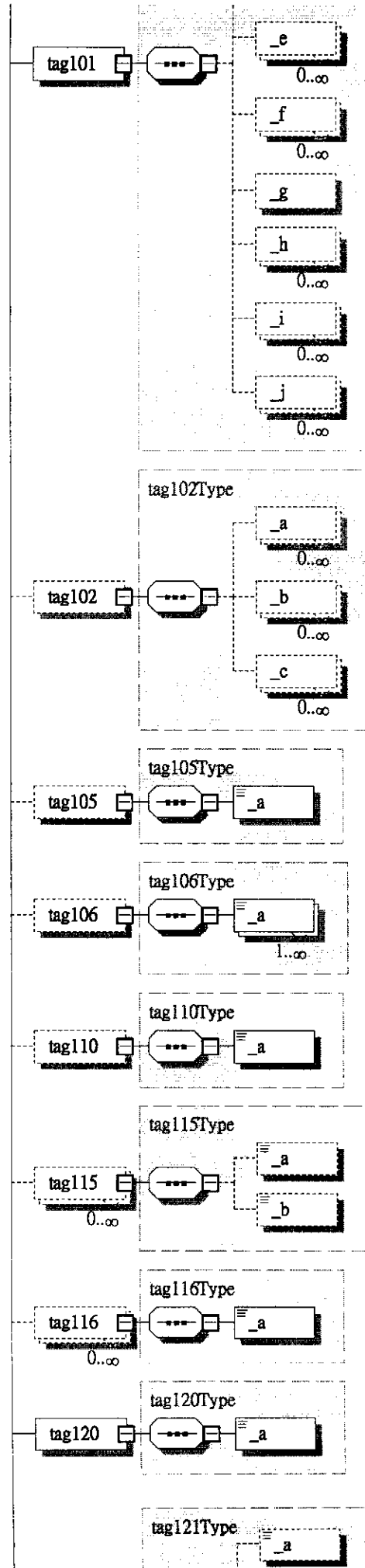


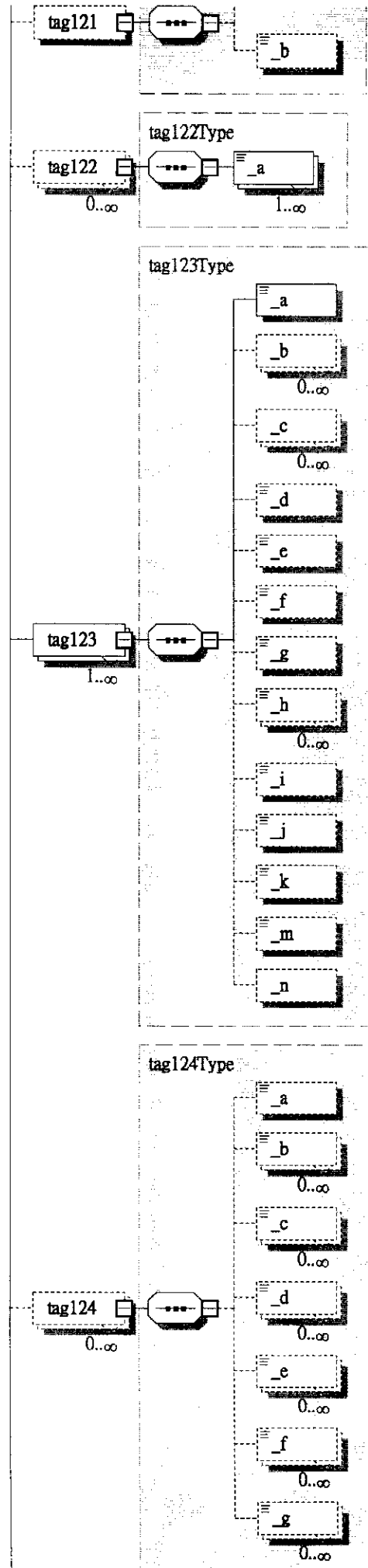


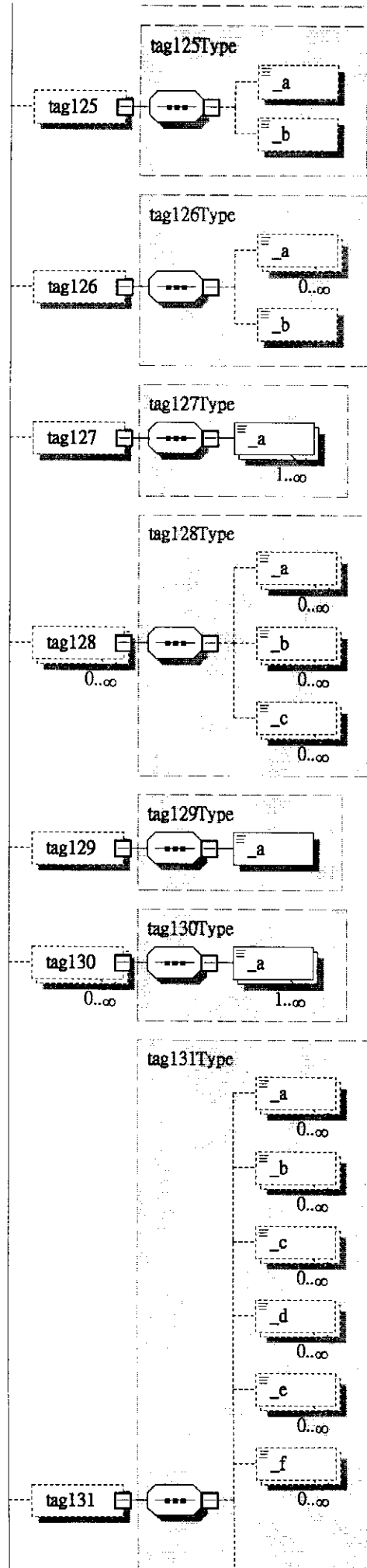
(三) 最內層架構圖

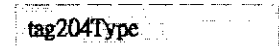
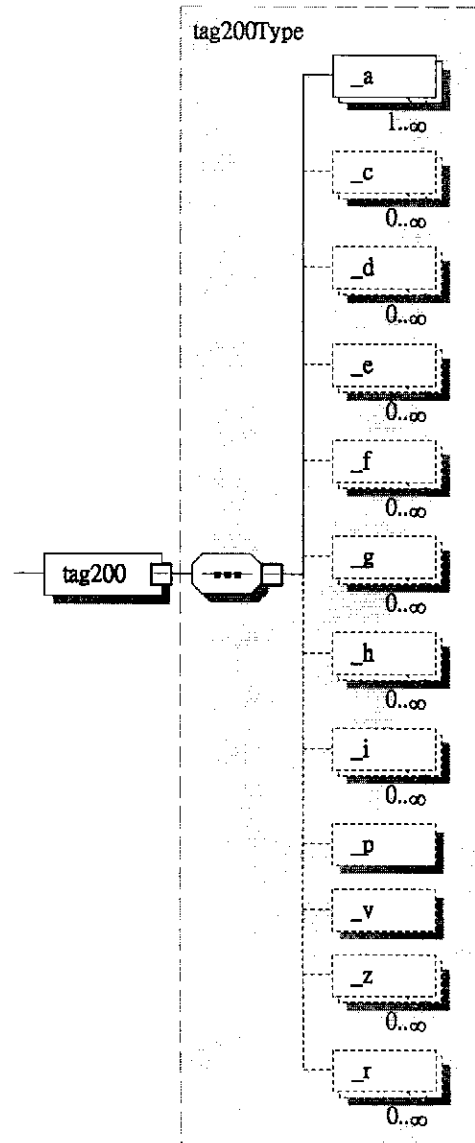
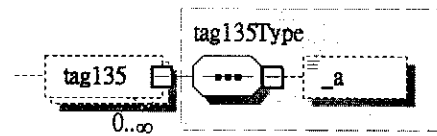
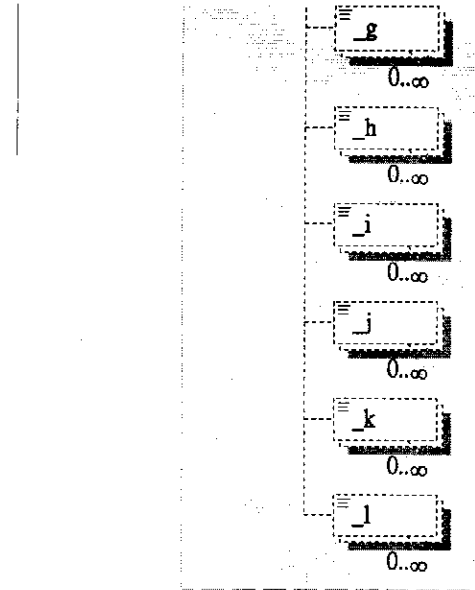


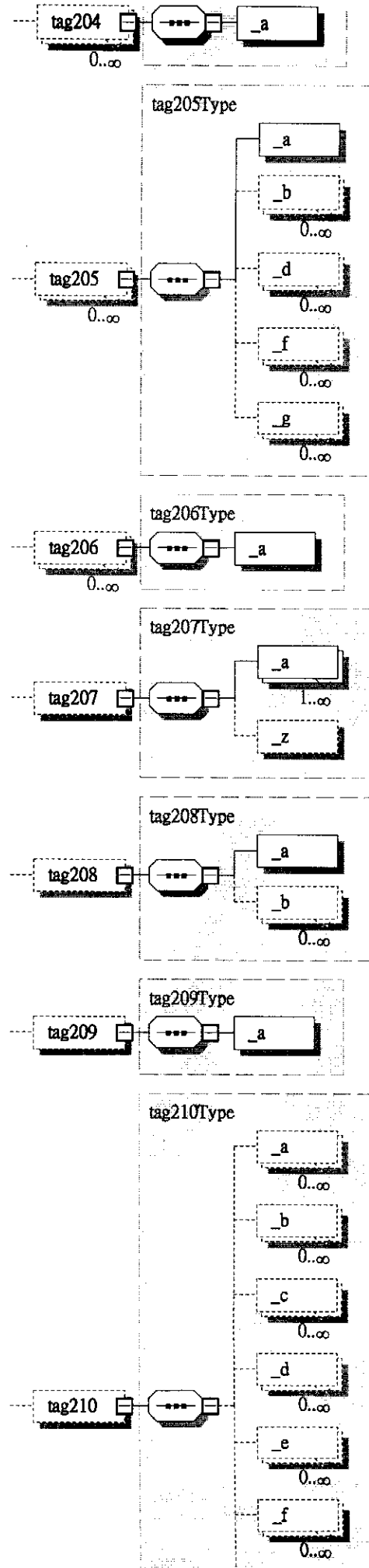


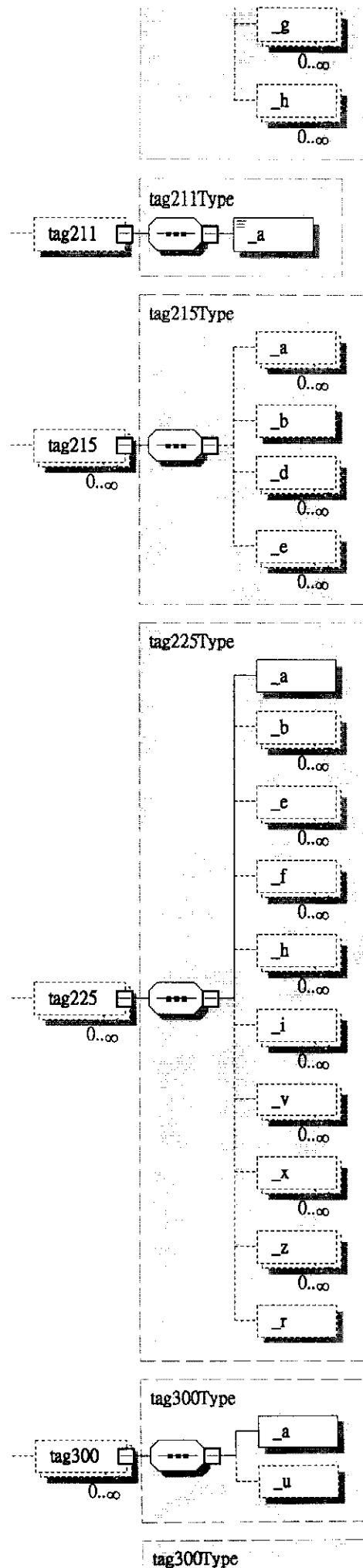
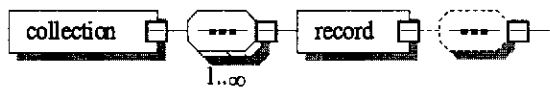


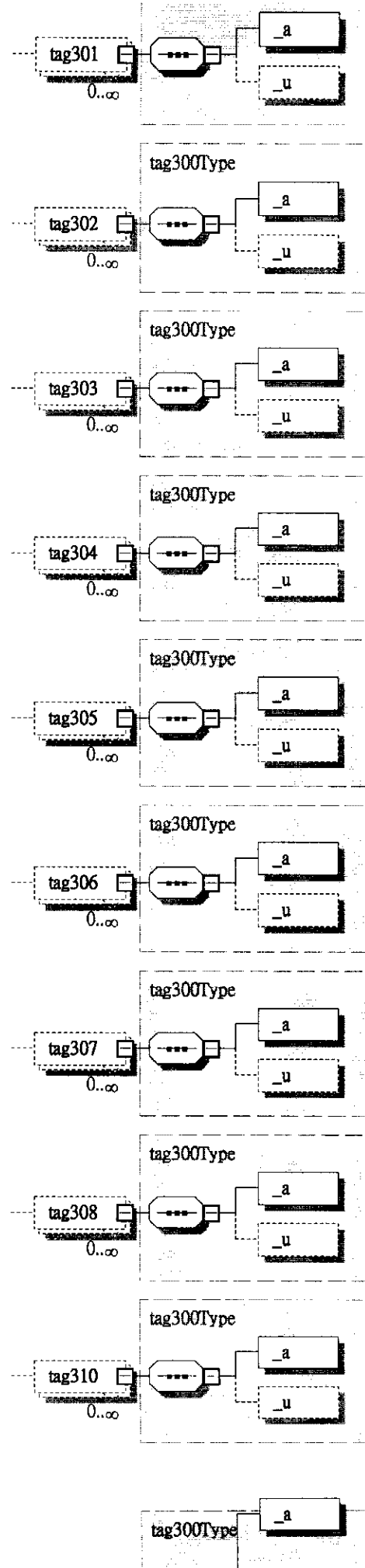


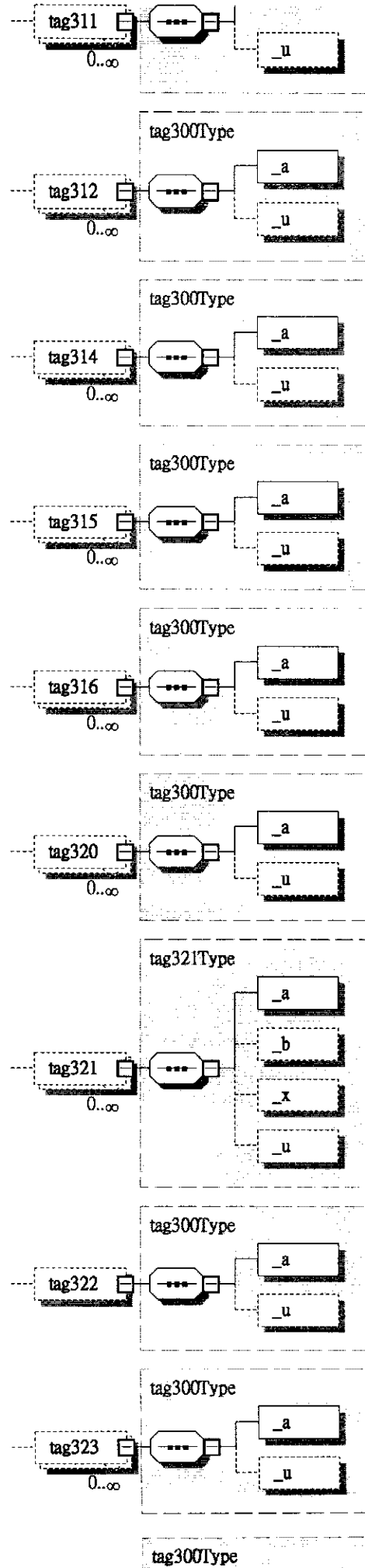


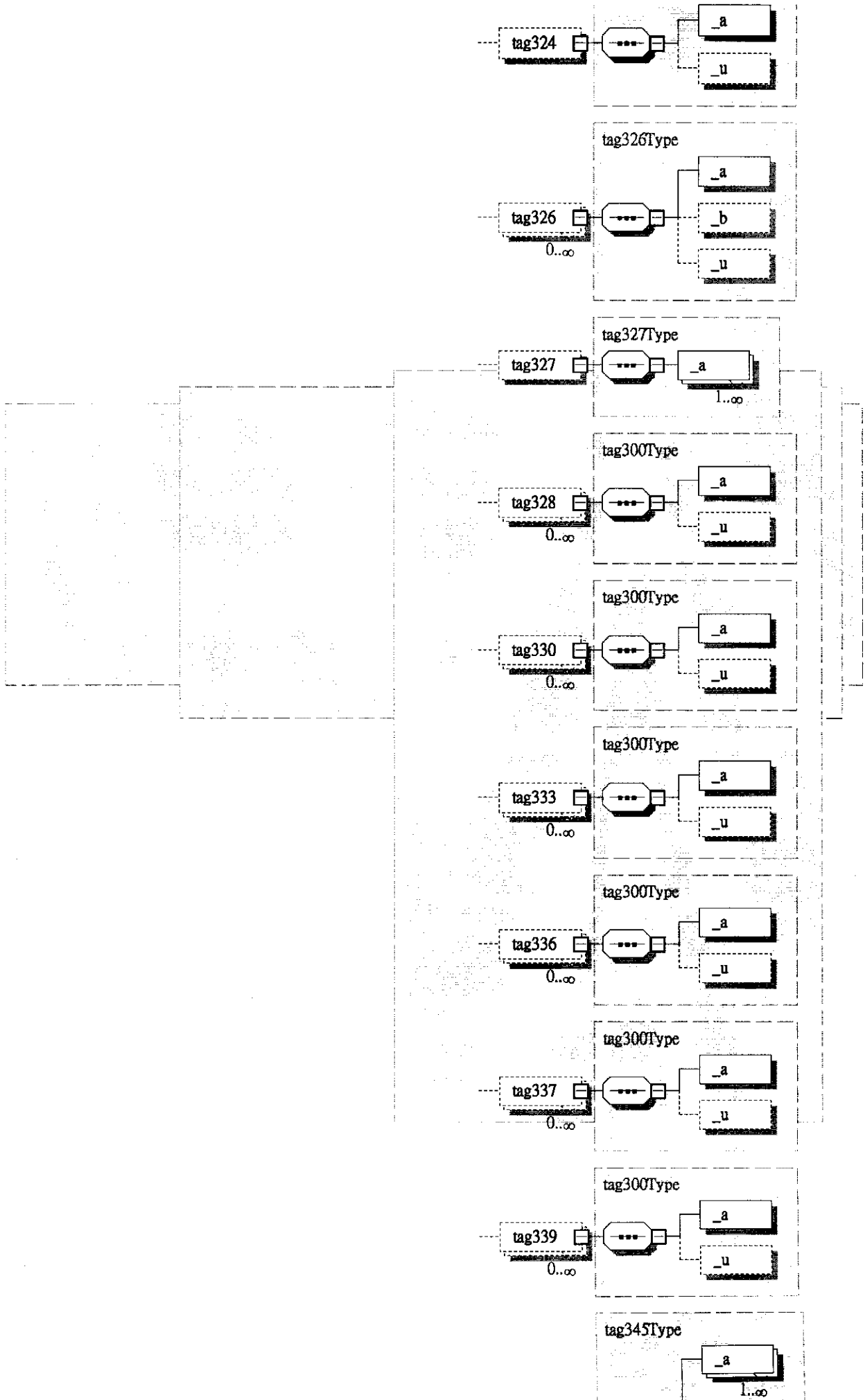


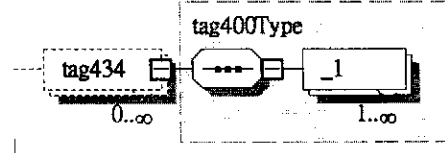
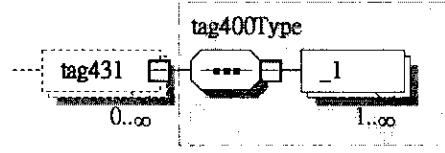
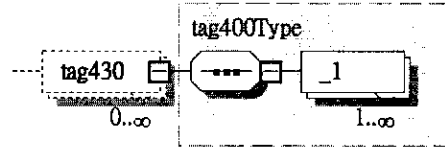
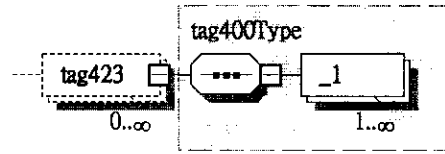
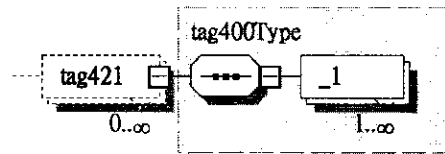
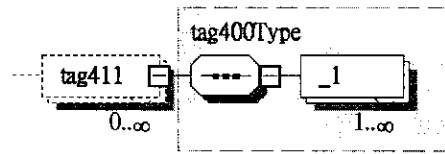
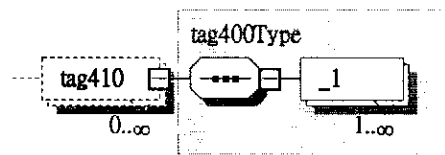
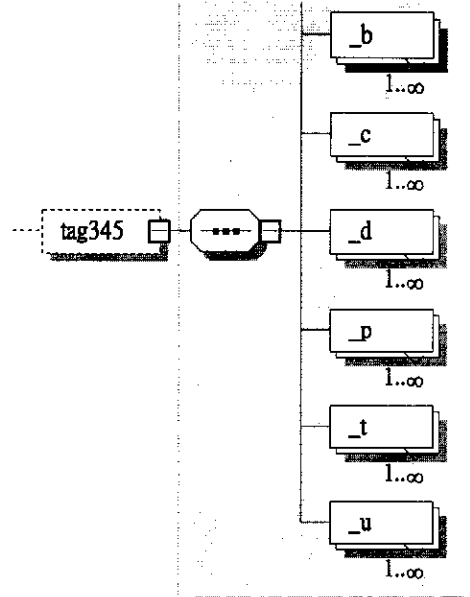




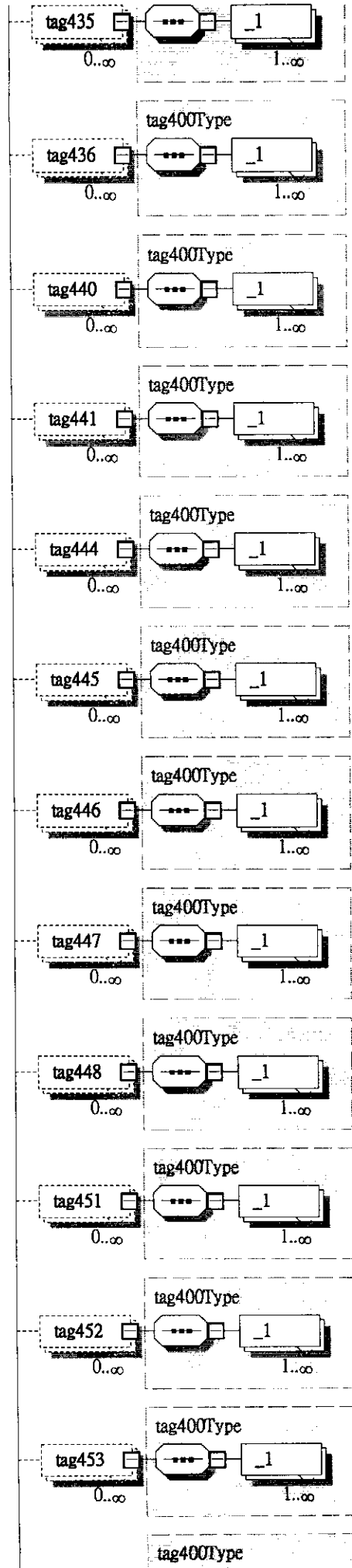


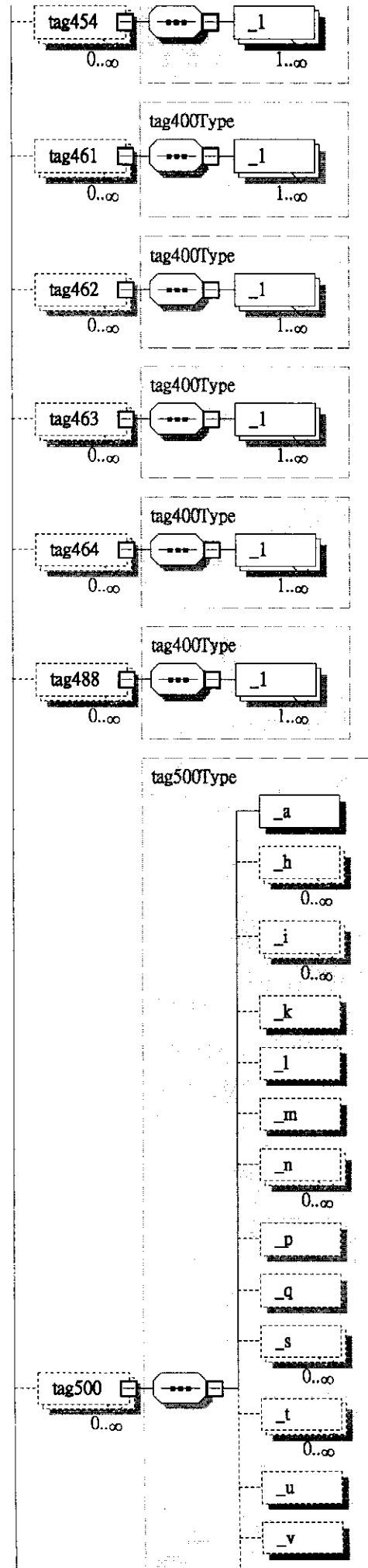


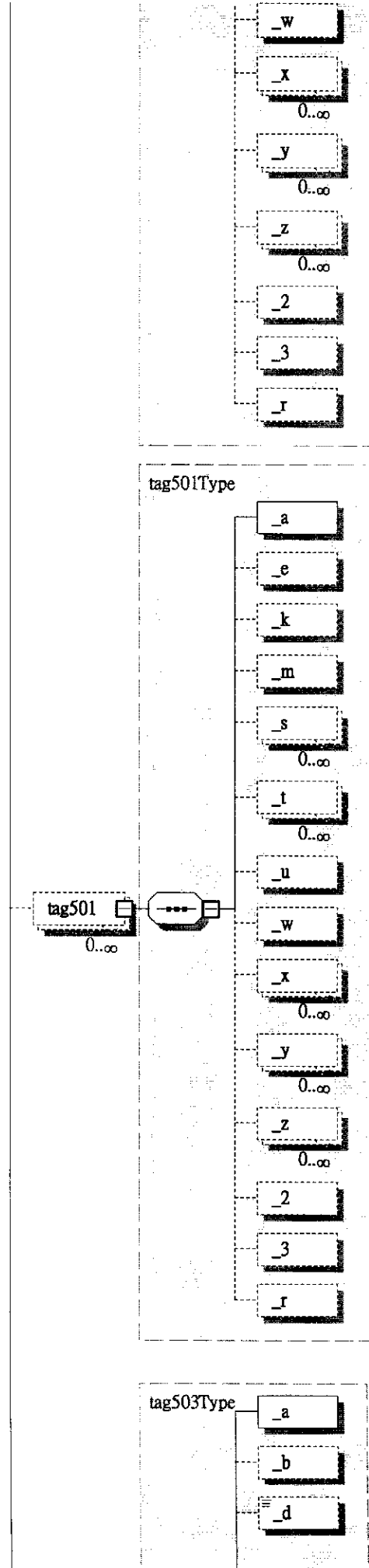


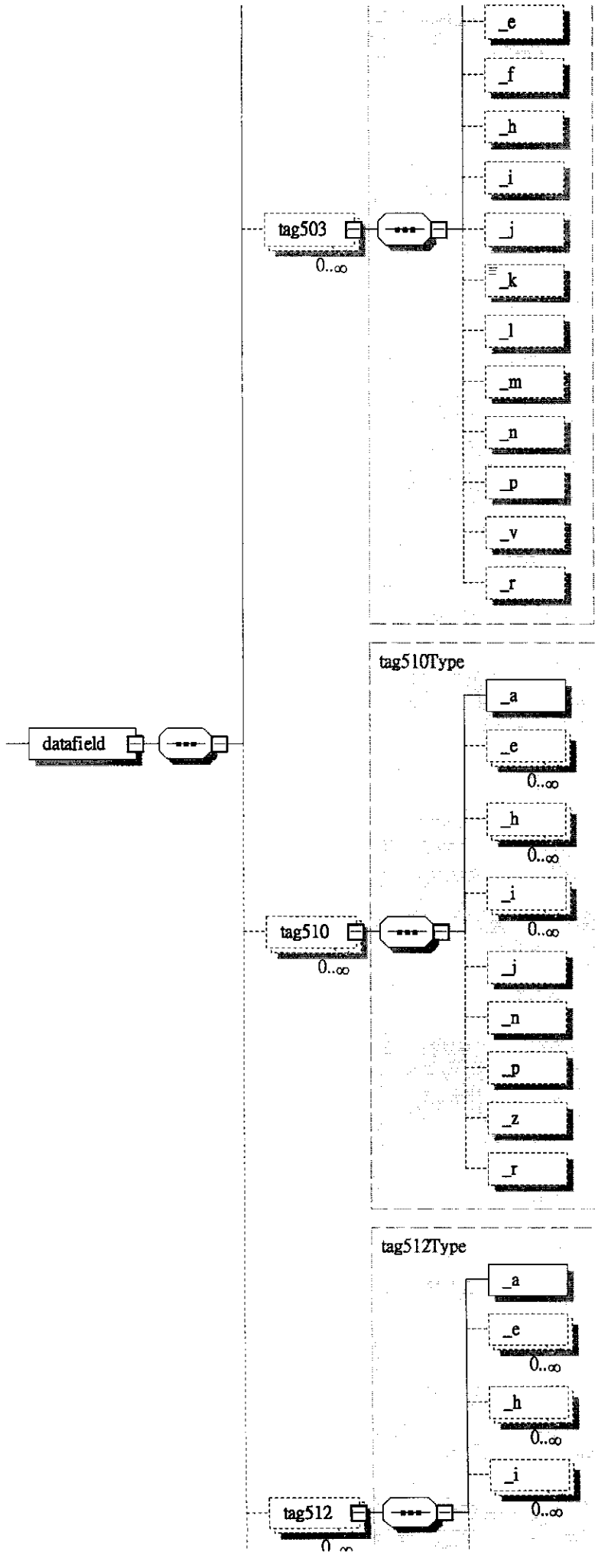


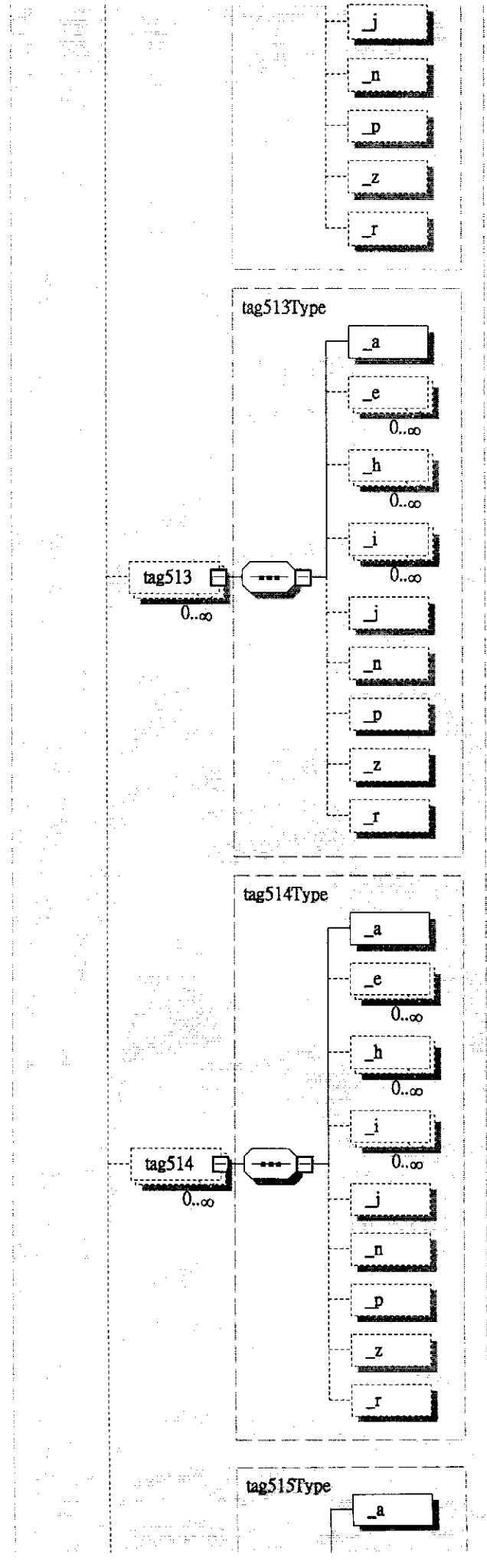
tag400Type

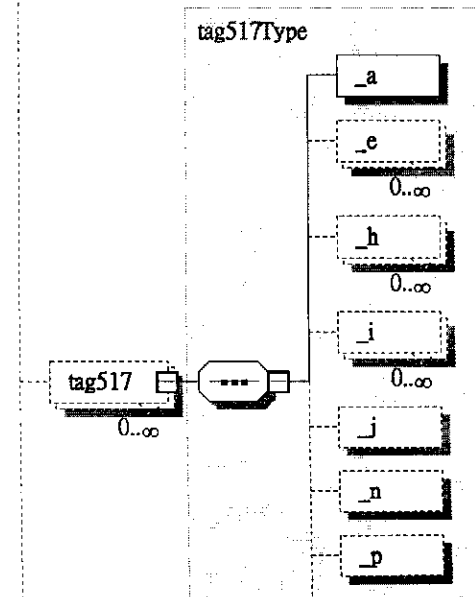
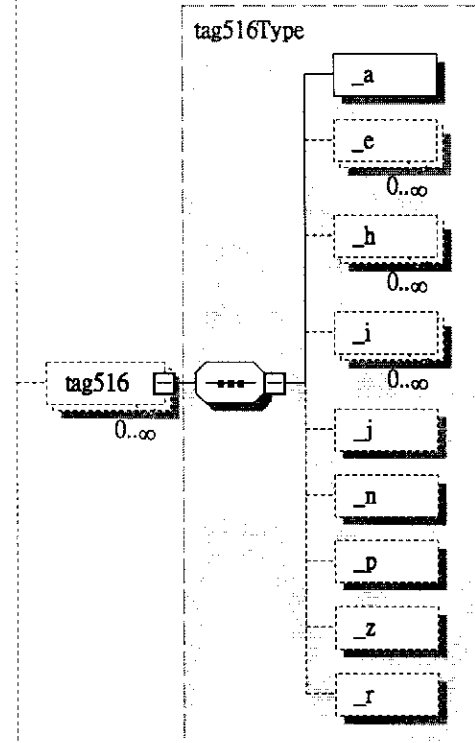
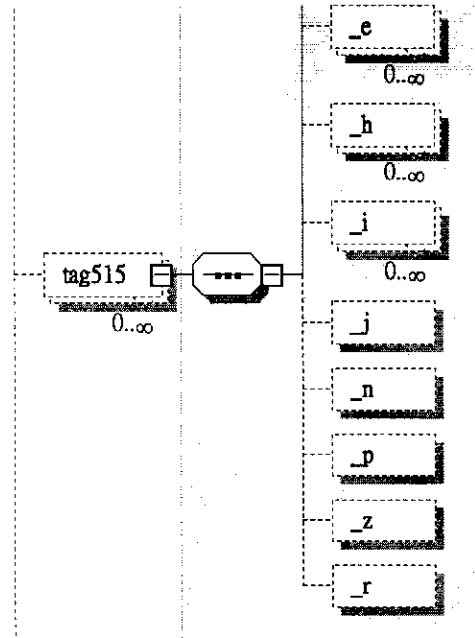


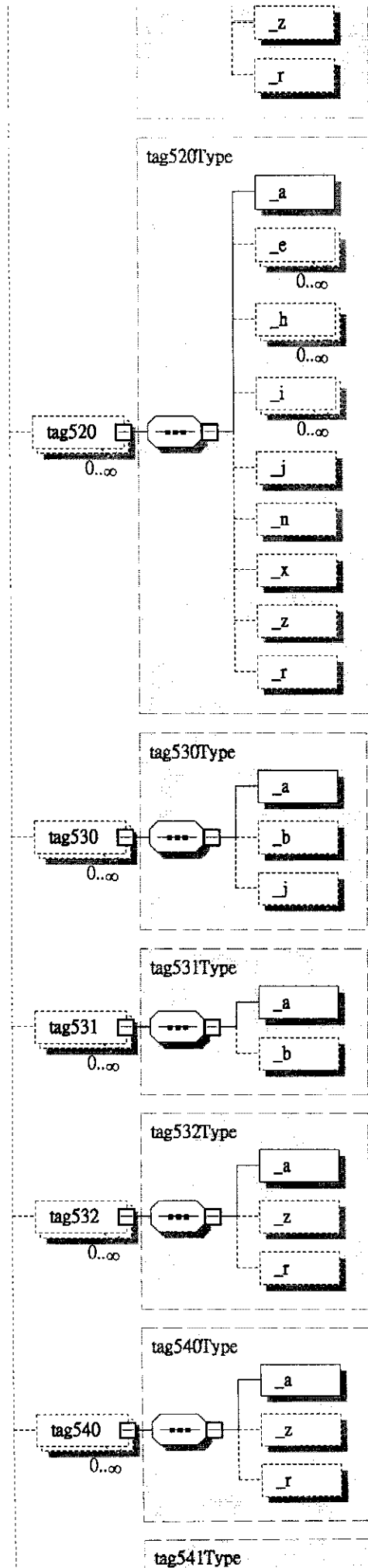


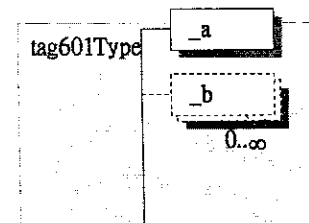
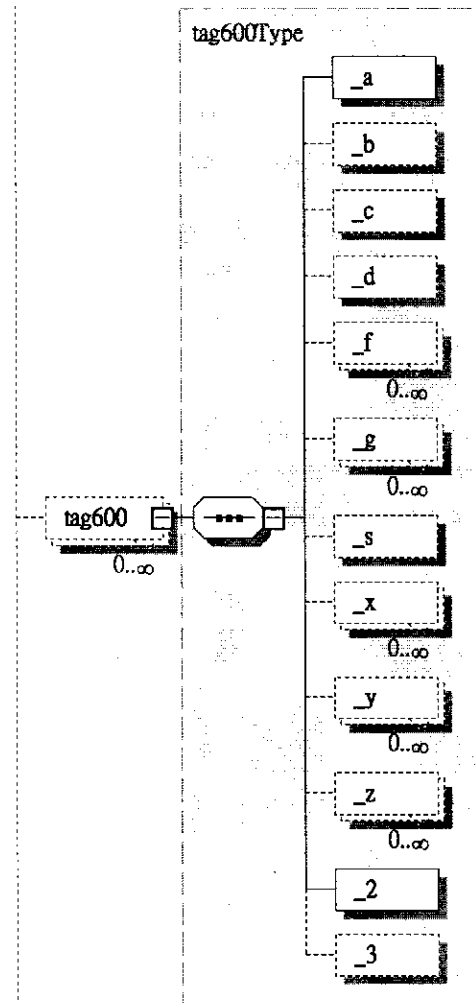
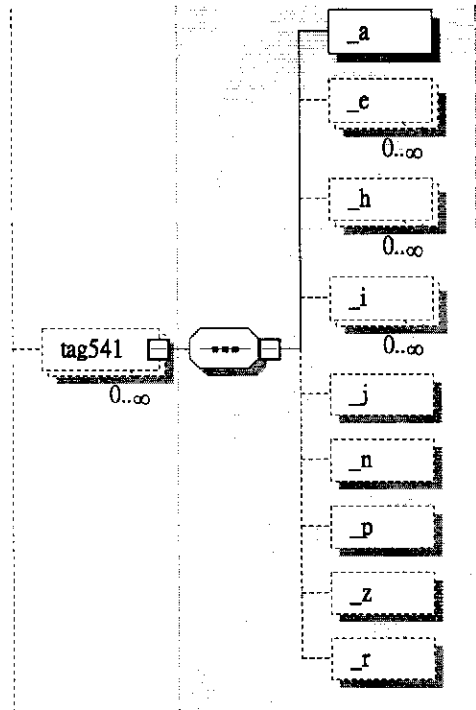


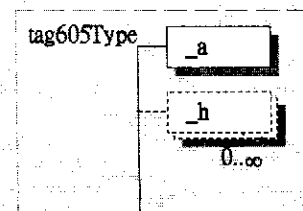
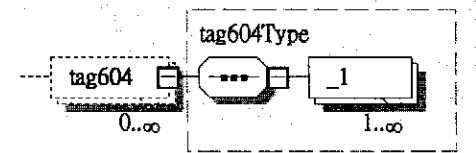
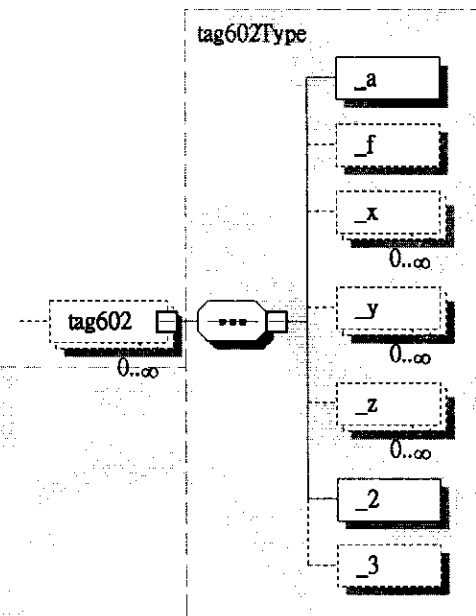
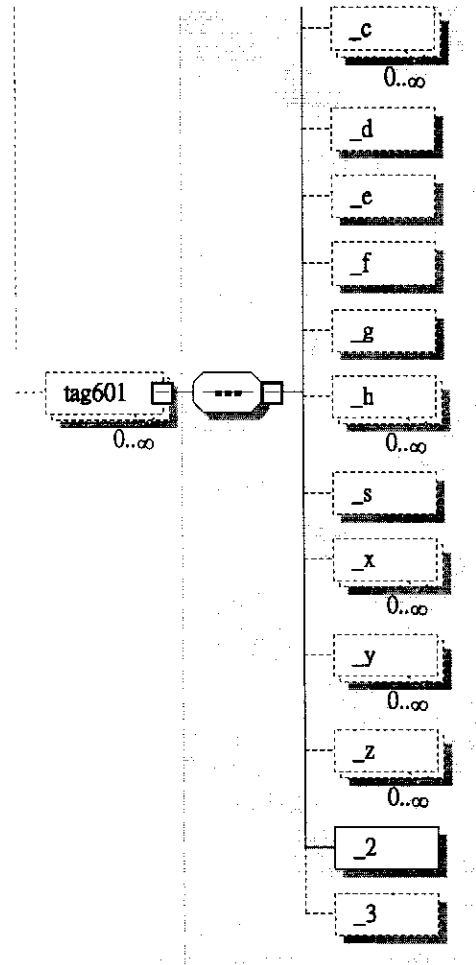


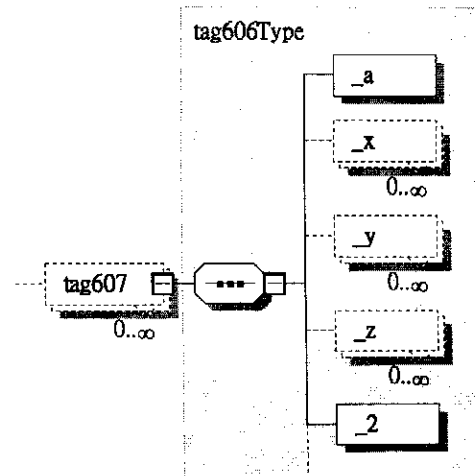
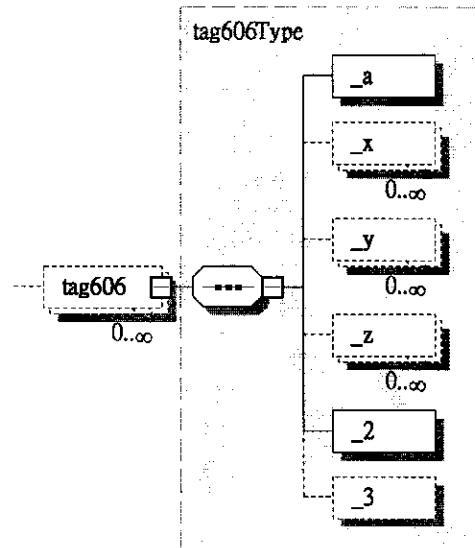
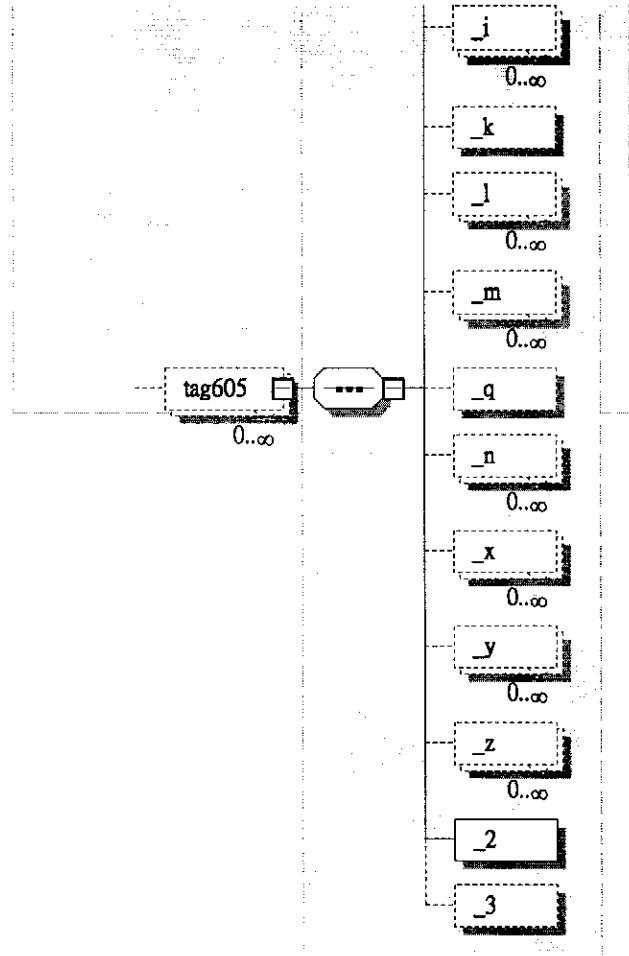


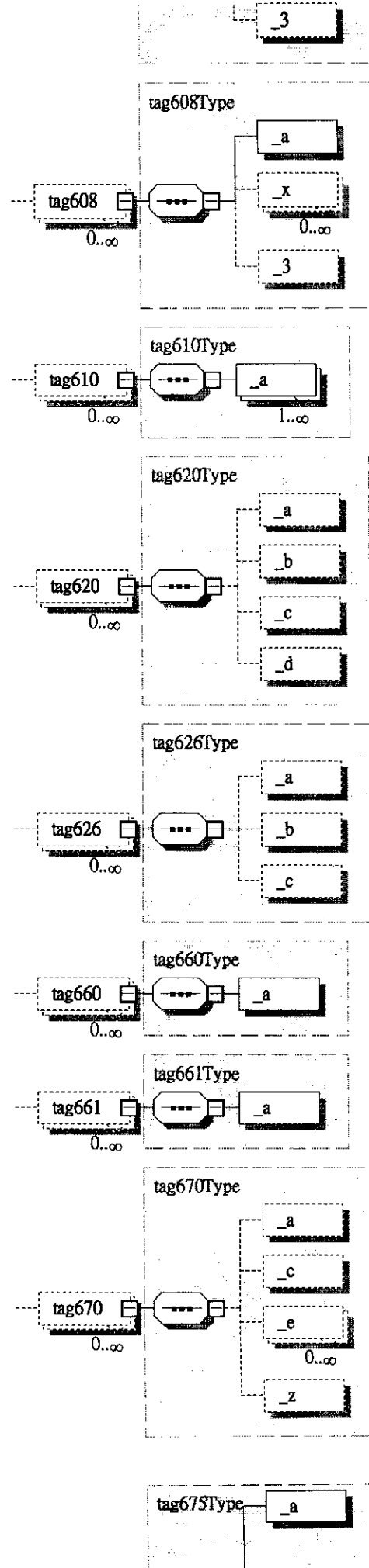


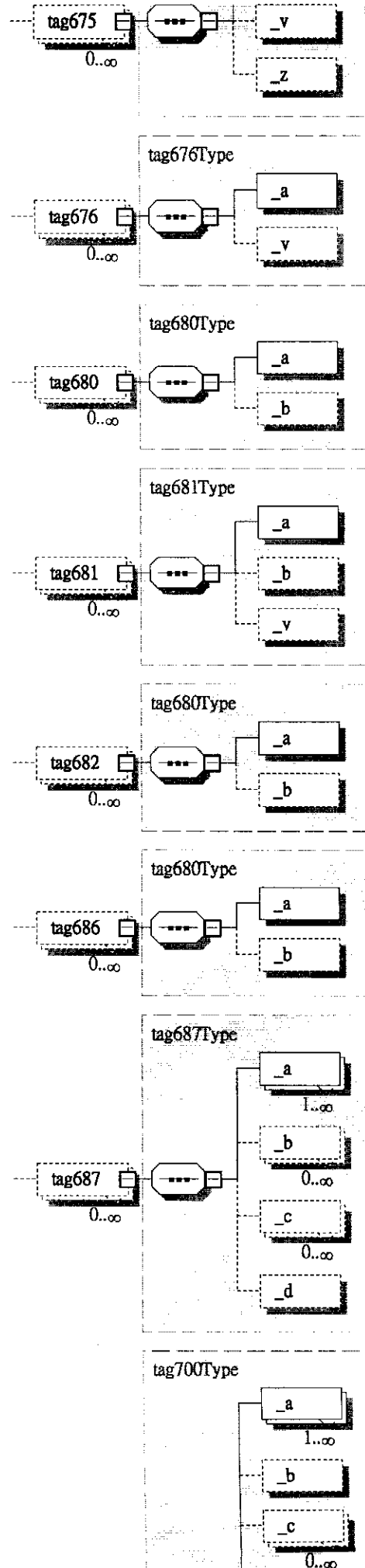


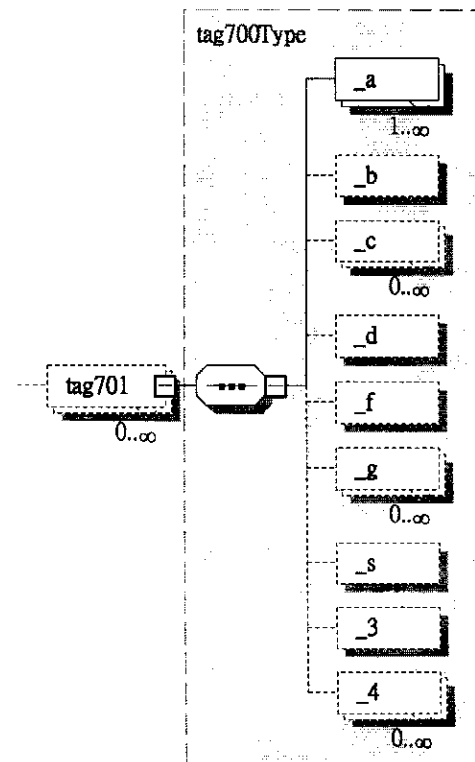
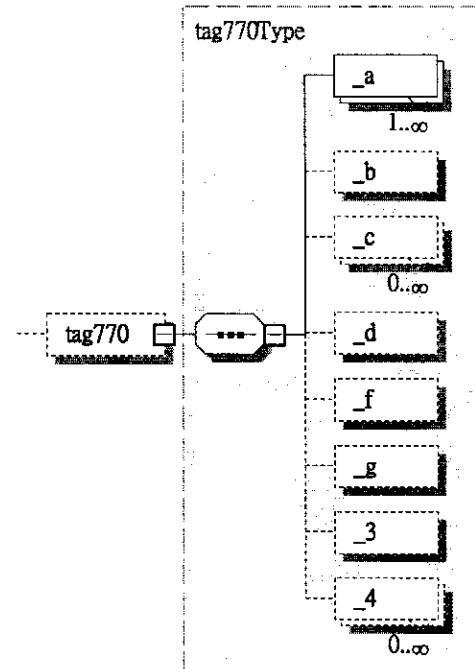
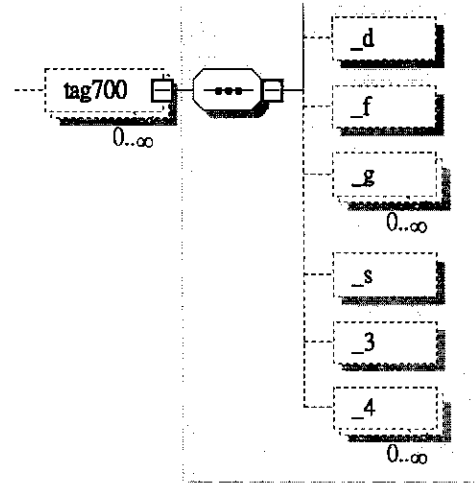




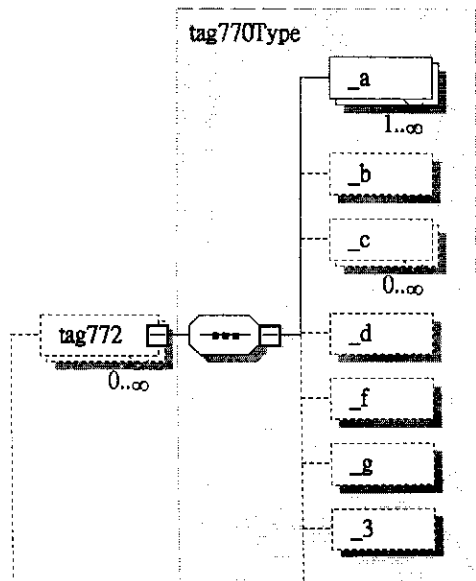
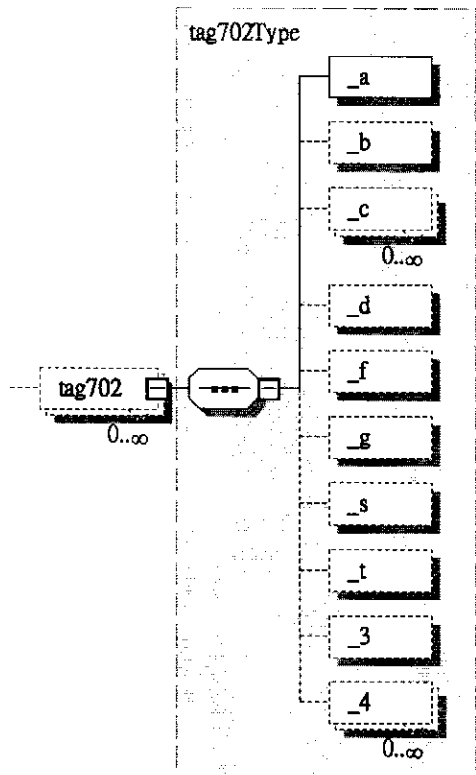
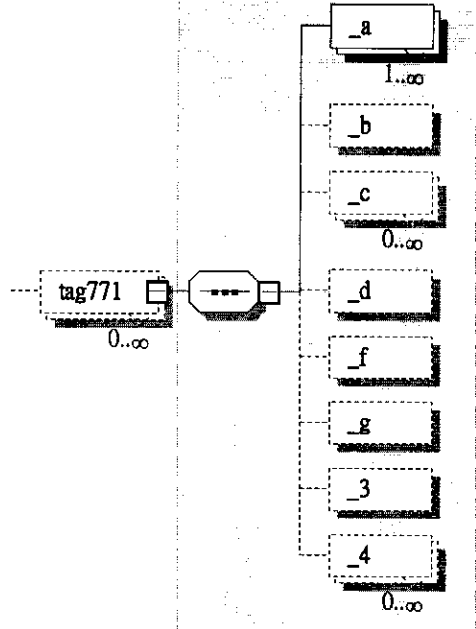


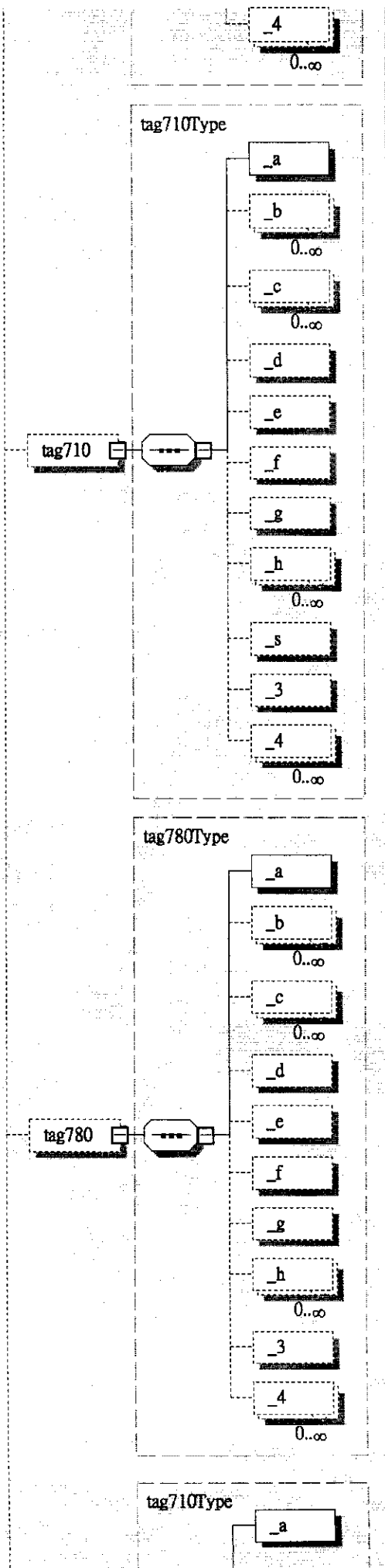


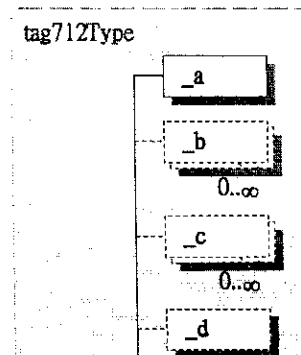
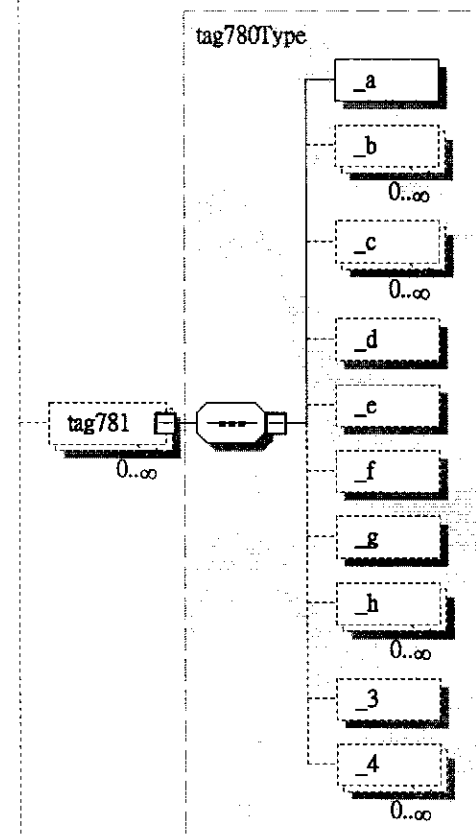
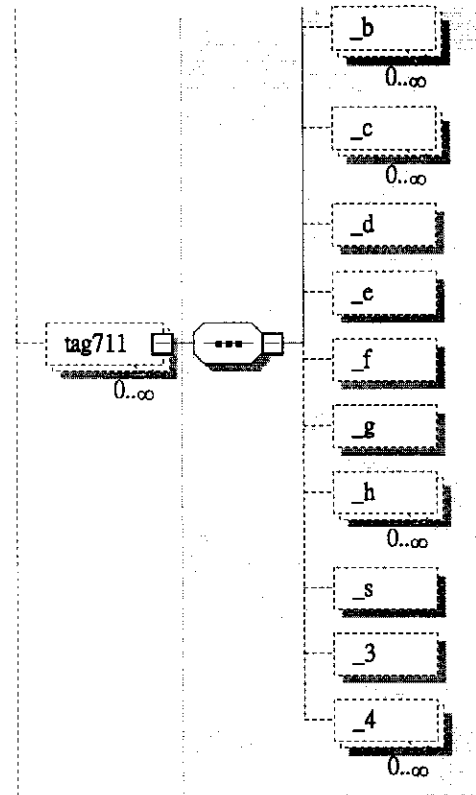


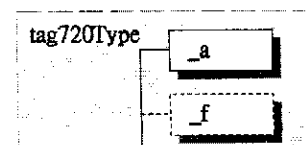
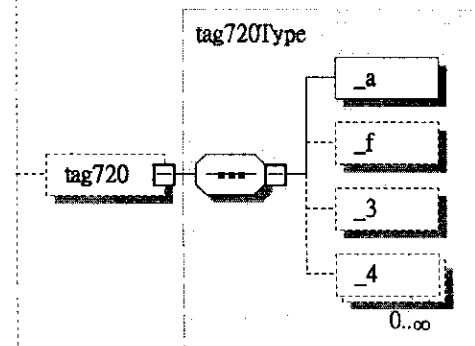
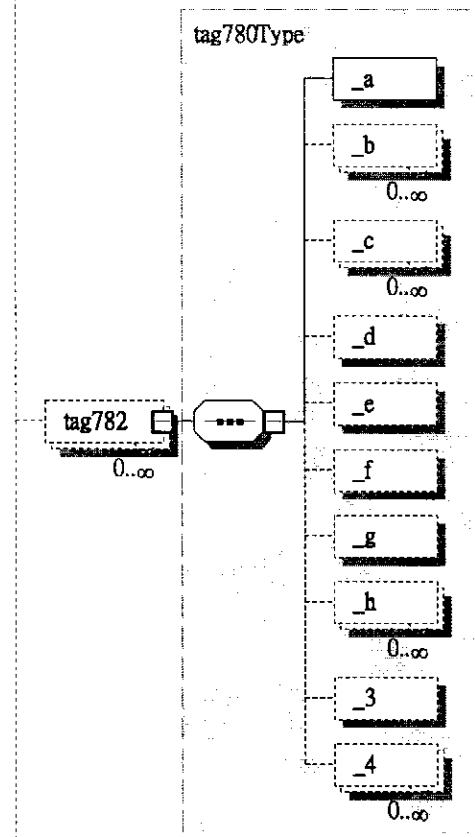
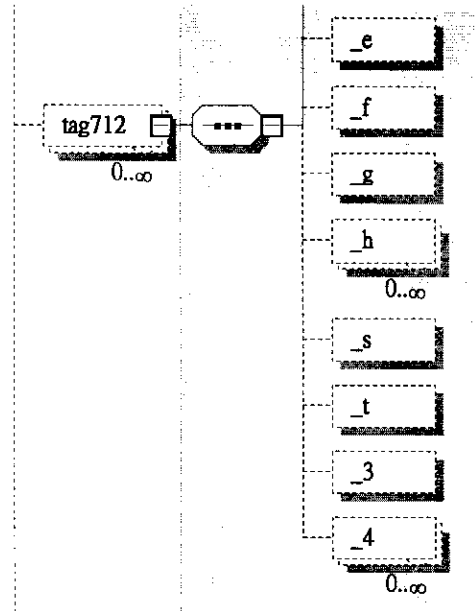


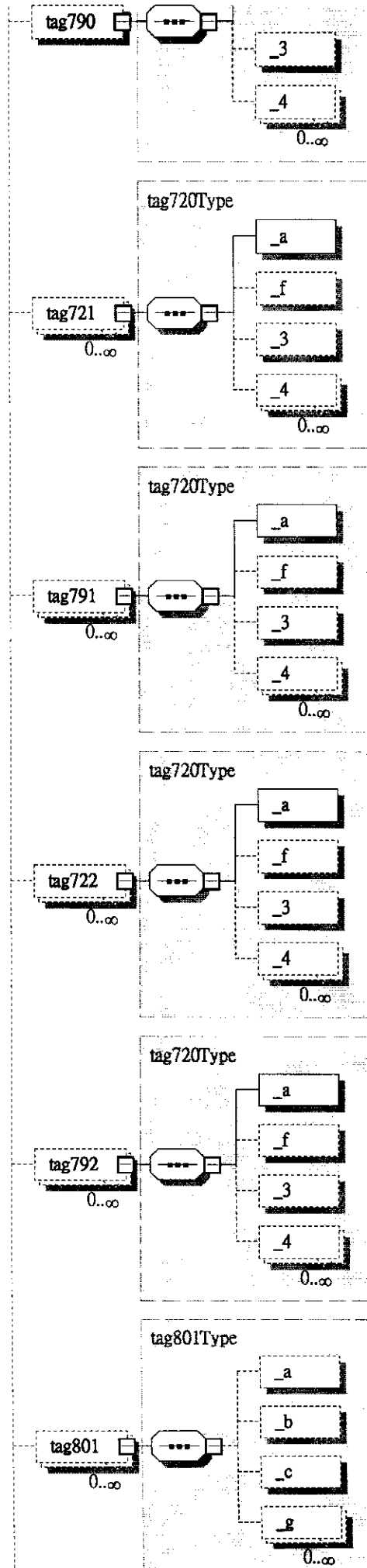
tag770Type

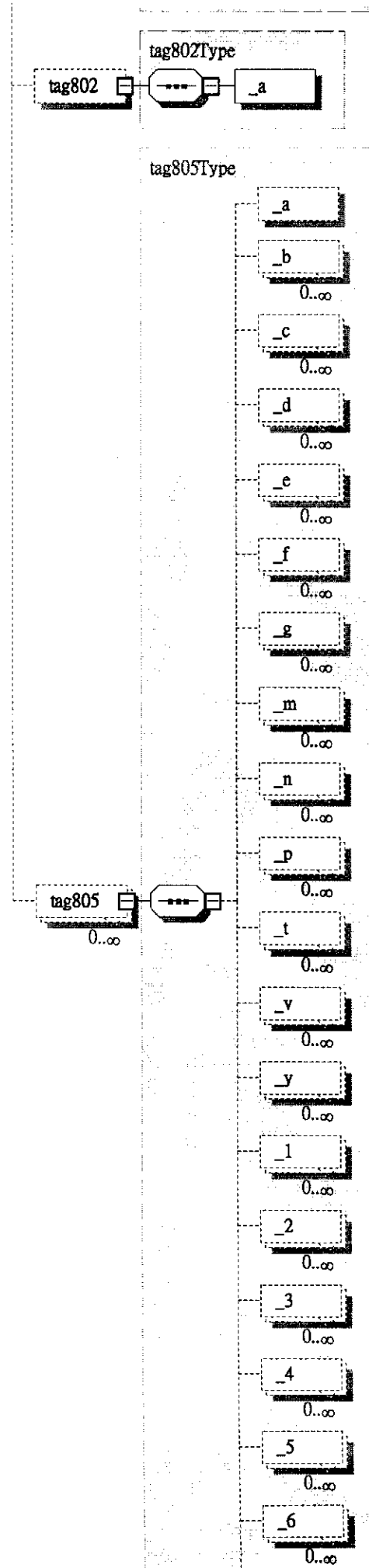














三、XML Schema 展開表

XML																					
version	1.0																				
encoding	UTF-8																				
Comment: edited with XMLSPY v2004 rel. 3 U (http://www.xmlspy.com) by Seljuk (SHU)																					
xsd:schema																					
elementFormDefault	qualified																				
attributeFormDefault	unqualified																				
version	1.0																				
xml:lang	zh																				
xmlns:xsd	http://www.w3.org/2001/XMLSchema																				
xmlns:ncl	http://www.ncl.edu.tw/ChineseMARC3/2004/7/1																				
xsd:annotation	<p>xsd:documentation</p> <p>Chinese MARC Schema Definition Prepared by Shien-chiang Yu July 1, 2004 - Version 1.0 - Coding first (Initial Release)</p> <p>方式一：詳細定義。包括各欄號(Tag)包含之指標與分欄 均逐一定義 方式二：完全參照MARC21之Schema定義，透過屬性id 紀錄欄號、分欄之編號</p> <p>命名規則：字首不可為數字，因此 1. 欄位前標記「Tag」以示區隔 2. 分欄前標記「_」以示區隔</p>																				
Comment: Collection : <<根元素>>包含所有書目紀錄																					
xsd:element																					
name	collection																				
type	collectionType																				
nillable	true																				
id	collection																				
xsd:complexType																					
name	collectionType																				
id	collection																				
xsd:sequence	<table border="1"> <tr> <td>maxOccurs</td> <td>unbounded</td> </tr> <tr> <td colspan="2">xsd:element</td> </tr> <tr> <td>name</td> <td>record</td> </tr> <tr> <td>type</td> <td>recordType</td> </tr> <tr> <td>nillable</td> <td>true</td> </tr> <tr> <td>id</td> <td>record</td> </tr> </table>	maxOccurs	unbounded	xsd:element		name	record	type	recordType	nillable	true	id	record								
maxOccurs	unbounded																				
xsd:element																					
name	record																				
type	recordType																				
nillable	true																				
id	record																				
xsd:attribute	<table border="1"> <tr> <td>name</td> <td>id</td> </tr> <tr> <td>type</td> <td>idDataType</td> </tr> <tr> <td>use</td> <td>optional</td> </tr> </table>	name	id	type	idDataType	use	optional														
name	id																				
type	idDataType																				
use	optional																				
Comment: Record : 包含單一書目紀錄之所有欄位內容，其下包含1. leader, 2. controlfield, 3. datafield 三部份																					
xsd:complexType																					
name	recordType																				
id	record																				
xsd:sequence	<table border="1"> <tr> <td>minOccurs</td> <td>0</td> </tr> <tr> <td colspan="2">xsd:element</td> </tr> <tr> <td>name</td> <td>leader</td> </tr> <tr> <td>type</td> <td>leaderFieldType</td> </tr> <tr> <td colspan="2">xsd:element</td> </tr> <tr> <td>name</td> <td>controlfield</td> </tr> <tr> <td>type</td> <td>controlFieldType</td> </tr> <tr> <td colspan="2">xsd:element</td> </tr> <tr> <td>name</td> <td>datafield</td> </tr> <tr> <td>type</td> <td>dataFieldType</td> </tr> </table>	minOccurs	0	xsd:element		name	leader	type	leaderFieldType	xsd:element		name	controlfield	type	controlFieldType	xsd:element		name	datafield	type	dataFieldType
minOccurs	0																				
xsd:element																					
name	leader																				
type	leaderFieldType																				
xsd:element																					
name	controlfield																				
type	controlFieldType																				
xsd:element																					
name	datafield																				
type	dataFieldType																				
xsd:attribute	<table border="1"> <tr> <td>name</td> <td>id</td> </tr> </table>	name	id																		
name	id																				

		type	idDataType
		use	optional
xsd:simpleType			
	name	leaderFieldType	
	ncl:chiName	記錄標示	
	ncl:engName	Record Label	
	xsd:restriction		
	base	xsd:string	
	xsd:length		value 24
	xsd:whiteSpace		value preserve
	xsd:pattern		value <code>[\\d]{5}(c d n o p)[a-npru]{1}(alchms){0-2}{1}(01)(2)(2)[\\d]{5}(112 3)(lnl)(450)(01)</code>
Comment	controlFieldType 特徵：不包含Indicator，tag001、005不具備分欄；tag009具備一分欄 命名規則：字首不可數字，因此欄號前標記「tag」以示區隔		
xsd:complexType			
	name	controlFieldType	
	id	controlFieldType	
	xsd:sequence		
	xsd:element		
	name	tag001	
	ncl:chiName	記錄識別欄	
	ncl:engName	Record Identifier	
	xsd:element		
	name	tag005	
	type	xsd:dateTime	
	ncl:chiName	最後更新時間	
	ncl:engName	Version Identifier	
	xsd:element		
	name	tag009	
	type	tag009Type	
	minOccurs	0	
	maxOccurs	unbounded	
	ncl:chiName	各館系統控制號	
	ncl:engName	Other System Control Numbers	
xsd:complexType			
	name	tag009Type	
	id	009Type	
	xsd:sequence		
	xsd:element		
	name	_a	
	type	xsd:string	
	minOccurs	0	
	ncl:chiName	各館系統控制號	
	ncl:engName	Other Systems Control Number	
Comment	dataFieldType (010-999)特徵：包含兩位元Indicator，具備分欄		
xsd:complexType			
	name	dataFieldType	
	id	dataFieldType	
	xsd:sequence		
	xsd:element		
	name	tag010	
	type	tag010Type	
	minOccurs	0	
	maxOccurs	unbounded	

	= ncl:chiName	國際標準書號
	= ncl:engName	International Standard Book Number (ISBN)
✚ xsd:element	= name	tag011
	= type	tag011Type
	= minOccurs	0
	= maxOccurs	unbounded
	= ncl:chiName	國際標準叢刊號
	= ncl:engName	International Standard Serial Number (ISSN)
✚ xsd:element	= name	tag020
	= type	tag020Type
	= minOccurs	0
	= maxOccurs	unbounded
	= ncl:chiName	國家書目號
	= ncl:engName	National Bibliography Number
✚ xsd:element	= name	tag021
	= type	tag020Type
	= minOccurs	0
	= maxOccurs	unbounded
	= ncl:chiName	送繳編號
	= ncl:engName	Legal Deposit Number
✚ xsd:element	= name	tag022
	= type	tag020Type
	= minOccurs	0
	= maxOccurs	unbounded
	= ncl:chiName	官書編號
	= ncl:engName	Government Publication Number
✚ xsd:element	= name	tag025
	= type	tag025Type
	= minOccurs	0
	= maxOccurs	unbounded
	= ncl:chiName	銷售號/庫存號
	= ncl:engName	Sales Number/Stock Number
✚ xsd:element	= name	tag040
	= type	tag040Type
	= minOccurs	0
	= maxOccurs	unbounded
	= ncl:chiName	叢刊代碼
	= ncl:engName	CODEN (Serials)
✚ xsd:element	= name	tag042
	= type	tag042Type
	= minOccurs	0
	= maxOccurs	unbounded
	= ncl:chiName	審查機構代碼
	= ncl:engName	Authentication Agency Code
✚ xsd:element	= name	tag050
	= type	tag050Type
	= ncl:chiName	國立中央圖書館卡片號
	= ncl:engName	National Central Library Card Number
✚ xsd:element		

	name	tag071
	type	tag071Type
	minOccurs	0
	maxOccurs	unbounded
	ncl:chiName	出版者資料編號 (適用於錄音資料與樂譜)
	ncl:engName	Publisher's Number (Sound Recordings and Music)
xsd:element	name	tag100
	type	tag100Type
	minOccurs	0
	ncl:chiName	一般性資料
	ncl:engName	General Processing Data
xsd:element	name	tag101
	type	tag101Type
	ncl:chiName	作品語文
	ncl:engName	Language of the Item
xsd:element	name	tag102
	type	tag102Type
	minOccurs	0
	ncl:chiName	出版國別
	ncl:engName	Country of Publication or Production
xsd:element	name	tag105
	type	tag105Type
	minOccurs	0
	ncl:chiName	資料代碼欄：圖書、善本書
	ncl:engName	Coded Data Field : Textual Material, Monographic, Chinese Rare Book
xsd:element	name	tag106
	type	tag106Type
	minOccurs	0
	ncl:chiName	資料代碼欄：文字資料形式特性
	ncl:engName	Coded Data Field : Textual Materials - Physical Attributes
xsd:element	name	tag110
	type	tag110Type
	minOccurs	0
	ncl:chiName	資料代碼欄：連續性出版品
	ncl:engName	Coded Data Field : Serials
xsd:element	name	tag115
	type	tag115Type
	minOccurs	0
	maxOccurs	unbounded
	ncl:chiName	資料代碼欄：投影資料、錄影資料、影片
	ncl:engName	Coded Data Fields : Visual Projections, Videorecordings and Motion Pictures
xsd:element	name	tag116

	<table border="1"> <tr><td>name</td><td>tag116</td></tr> <tr><td>type</td><td>tag116Type</td></tr> <tr><td>minOccurs</td><td>0</td></tr> <tr><td>maxOccurs</td><td>unbounded</td></tr> <tr><td>ncl:chiName</td><td>資料代碼欄：圖片</td></tr> <tr><td>ncl:engName</td><td>Coded Data Field : Graphics</td></tr> </table>	name	tag116	type	tag116Type	minOccurs	0	maxOccurs	unbounded	ncl:chiName	資料代碼欄：圖片	ncl:engName	Coded Data Field : Graphics
name	tag116												
type	tag116Type												
minOccurs	0												
maxOccurs	unbounded												
ncl:chiName	資料代碼欄：圖片												
ncl:engName	Coded Data Field : Graphics												
xsd:element	<table border="1"> <tr><td>name</td><td>tag120</td></tr> <tr><td>type</td><td>tag120Type</td></tr> <tr><td>minOccurs</td><td>0</td></tr> <tr><td>maxOccurs</td><td>unbounded</td></tr> <tr><td>ncl:chiName</td><td>資料代碼欄：地圖資料—一般性</td></tr> <tr><td>ncl:engName</td><td>Coded Data Field : Cartographic Materials - General</td></tr> </table>	name	tag120	type	tag120Type	minOccurs	0	maxOccurs	unbounded	ncl:chiName	資料代碼欄：地圖資料—一般性	ncl:engName	Coded Data Field : Cartographic Materials - General
name	tag120												
type	tag120Type												
minOccurs	0												
maxOccurs	unbounded												
ncl:chiName	資料代碼欄：地圖資料—一般性												
ncl:engName	Coded Data Field : Cartographic Materials - General												
xsd:element	<table border="1"> <tr><td>name</td><td>tag121</td></tr> <tr><td>type</td><td>tag121Type</td></tr> <tr><td>minOccurs</td><td>0</td></tr> <tr><td>maxOccurs</td><td>unbounded</td></tr> <tr><td>ncl:chiName</td><td>資料代碼欄：地圖資料形式特性</td></tr> <tr><td>ncl:engName</td><td>Coded Data Field : Cartographic Materials : Physical Attributes</td></tr> </table>	name	tag121	type	tag121Type	minOccurs	0	maxOccurs	unbounded	ncl:chiName	資料代碼欄：地圖資料形式特性	ncl:engName	Coded Data Field : Cartographic Materials : Physical Attributes
name	tag121												
type	tag121Type												
minOccurs	0												
maxOccurs	unbounded												
ncl:chiName	資料代碼欄：地圖資料形式特性												
ncl:engName	Coded Data Field : Cartographic Materials : Physical Attributes												
xsd:element	<table border="1"> <tr><td>name</td><td>tag122</td></tr> <tr><td>type</td><td>tag122Type</td></tr> <tr><td>minOccurs</td><td>0</td></tr> <tr><td>maxOccurs</td><td>unbounded</td></tr> <tr><td>ncl:chiName</td><td>資料代碼欄：作品涵蓋時間</td></tr> <tr><td>ncl:engName</td><td>Coded Data Field : Time Period of Item Content</td></tr> </table>	name	tag122	type	tag122Type	minOccurs	0	maxOccurs	unbounded	ncl:chiName	資料代碼欄：作品涵蓋時間	ncl:engName	Coded Data Field : Time Period of Item Content
name	tag122												
type	tag122Type												
minOccurs	0												
maxOccurs	unbounded												
ncl:chiName	資料代碼欄：作品涵蓋時間												
ncl:engName	Coded Data Field : Time Period of Item Content												
xsd:element	<table border="1"> <tr><td>name</td><td>tag123</td></tr> <tr><td>type</td><td>tag123Type</td></tr> <tr><td>minOccurs</td><td>0</td></tr> <tr><td>maxOccurs</td><td>unbounded</td></tr> <tr><td>ncl:chiName</td><td>資料代碼欄：地圖資料—比例尺與座標</td></tr> <tr><td>ncl:engName</td><td>Coded Data Field : Cartographic Materials - Scale and Co-ordinates</td></tr> </table>	name	tag123	type	tag123Type	minOccurs	0	maxOccurs	unbounded	ncl:chiName	資料代碼欄：地圖資料—比例尺與座標	ncl:engName	Coded Data Field : Cartographic Materials - Scale and Co-ordinates
name	tag123												
type	tag123Type												
minOccurs	0												
maxOccurs	unbounded												
ncl:chiName	資料代碼欄：地圖資料—比例尺與座標												
ncl:engName	Coded Data Field : Cartographic Materials - Scale and Co-ordinates												
xsd:element	<table border="1"> <tr><td>name</td><td>tag124</td></tr> <tr><td>type</td><td>tag124Type</td></tr> <tr><td>minOccurs</td><td>0</td></tr> <tr><td>maxOccurs</td><td>unbounded</td></tr> <tr><td>ncl:chiName</td><td>資料代碼欄：地圖資料—特殊資料類型</td></tr> <tr><td>ncl:engName</td><td>Coded Data Field : Cartographic Materials - Specific Material Designation Analysis</td></tr> </table>	name	tag124	type	tag124Type	minOccurs	0	maxOccurs	unbounded	ncl:chiName	資料代碼欄：地圖資料—特殊資料類型	ncl:engName	Coded Data Field : Cartographic Materials - Specific Material Designation Analysis
name	tag124												
type	tag124Type												
minOccurs	0												
maxOccurs	unbounded												
ncl:chiName	資料代碼欄：地圖資料—特殊資料類型												
ncl:engName	Coded Data Field : Cartographic Materials - Specific Material Designation Analysis												
xsd:element	<table border="1"> <tr><td>name</td><td>tag125</td></tr> <tr><td>type</td><td>tag125Type</td></tr> <tr><td>minOccurs</td><td>0</td></tr> <tr><td>maxOccurs</td><td>unbounded</td></tr> <tr><td>ncl:chiName</td><td>資料代碼欄：樂譜資料與非音樂性錄音資料</td></tr> <tr><td>ncl:engName</td><td>Coded Data Field : Sound Recordings and Printed Music</td></tr> </table>	name	tag125	type	tag125Type	minOccurs	0	maxOccurs	unbounded	ncl:chiName	資料代碼欄：樂譜資料與非音樂性錄音資料	ncl:engName	Coded Data Field : Sound Recordings and Printed Music
name	tag125												
type	tag125Type												
minOccurs	0												
maxOccurs	unbounded												
ncl:chiName	資料代碼欄：樂譜資料與非音樂性錄音資料												
ncl:engName	Coded Data Field : Sound Recordings and Printed Music												
xsd:element	<table border="1"> <tr><td>name</td><td>tag126</td></tr> <tr><td>type</td><td>tag126Type</td></tr> <tr><td>minOccurs</td><td>0</td></tr> <tr><td>maxOccurs</td><td>unbounded</td></tr> <tr><td>ncl:chiName</td><td>資料代碼欄：錄音資料形式特性</td></tr> </table>	name	tag126	type	tag126Type	minOccurs	0	maxOccurs	unbounded	ncl:chiName	資料代碼欄：錄音資料形式特性		
name	tag126												
type	tag126Type												
minOccurs	0												
maxOccurs	unbounded												
ncl:chiName	資料代碼欄：錄音資料形式特性												

	= <i>nclengName</i>	Coded Data Field : Sound Recordings— Physical Attributes
▲ <i>xsd:element</i>		
	= <i>name</i>	tag127
	= <i>type</i>	tag127Type
	= <i>minOccurs</i>	0
	= <i>nclchiName</i>	資料代碼欄：錄音資料 播放或樂譜演奏之 時間
	= <i>nclengName</i>	Coded Data Field : Duration of Sound Recordings and Printed Music
▲ <i>xsd:element</i>		
	= <i>name</i>	tag128
	= <i>type</i>	tag128Type
	= <i>minOccurs</i>	0
	= <i>maxOccurs</i>	unbounded
	= <i>nclchiName</i>	資料代碼欄：音樂演 奏作品
	= <i>nclengName</i>	Coded Data Field : Music Performances and Scores
▲ <i>xsd:element</i>		
	= <i>name</i>	tag129
	= <i>type</i>	tag129Type
	= <i>minOccurs</i>	0
	= <i>nclchiName</i>	資料代碼欄：拓片
	= <i>nclengName</i>	Coded Data Field : Rubblings
▲ <i>xsd:element</i>		
	= <i>name</i>	tag130
	= <i>type</i>	tag130Type
	= <i>minOccurs</i>	0
	= <i>maxOccurs</i>	unbounded
	= <i>nclchiName</i>	資料代碼欄：縮影資 料形式特性
	= <i>nclengName</i>	Coded Data Field : Microforms—Physical Attributes
▲ <i>xsd:element</i>		
	= <i>name</i>	tag131
	= <i>type</i>	tag131Type
	= <i>minOccurs</i>	0
	= <i>nclchiName</i>	資料代碼欄：地圖資 料—大地、網格、垂 直測量
	= <i>nclengName</i>	Coded Data Field : Cartographic Materials —Geodetic, Grid and Vertical Measurement
▲ <i>xsd:element</i>		
	= <i>name</i>	tag135
	= <i>type</i>	tag135Type
	= <i>minOccurs</i>	0
	= <i>maxOccurs</i>	unbounded
	= <i>nclchiName</i>	資料代碼欄：電腦檔
	= <i>nclengName</i>	Coded Data Field : Electronic Resources
▲ <i>xsd:element</i>		
	= <i>name</i>	tag200
	= <i>type</i>	tag200Type
	= <i>nclchiName</i>	題名及著者敘述項
	= <i>nclengName</i>	Title and Statement of Responsibility
▲ <i>xsd:element</i>		
	= <i>name</i>	tag204
	= <i>type</i>	tag204Type

	minOccurs	0
	maxOccurs	unbounded
	ncl:chiName	資料類型標示
	ncl:engName	General Material Designation
▲ xsd:element	name	tag205
	type	tag205Type
	minOccurs	0
	maxOccurs	unbounded
	ncl:chiName	版本項
	ncl:engName	Edition Statement
▲ xsd:element	name	tag206
	type	tag206Type
	minOccurs	0
	maxOccurs	unbounded
	ncl:chiName	資料特殊細節項：地圖資料—製圖細節
	ncl:engName	Material Specific Area : Cartographic Materials - Mathematical Data
▲ xsd:element	name	tag207
	type	tag207Type
	minOccurs	0
	ncl:chiName	資料特殊細節項：連續性出版品—卷期編次
	ncl:engName	Material Specific Area : Serials Numbering
▲ xsd:element	name	tag208
	type	tag208Type
	minOccurs	0
	ncl:chiName	資料特殊細節項：樂譜形式
	ncl:engName	Material Specific Area : Printed Music Specific Statement
▲ xsd:element	name	tag209
	type	tag209Type
	minOccurs	0
	ncl:chiName	資料特殊細節項：電腦檔
	ncl:engName	Material Specific Area : Electronic Resource
▲ xsd:element	name	tag210
	type	tag210Type
	minOccurs	0
	ncl:chiName	出版項
	ncl:engName	Publication, Distribution, etc.
▲ xsd:element	name	tag211
	type	tag211Type
	minOccurs	0
	ncl:chiName	預定出版日期
	ncl:engName	Projected Publication Date
▲ xsd:element	name	tag215
	type	tag215Type
	minOccurs	0
	maxOccurs	unbounded

	= <i>ncl:chiName</i>	稽核項
	= <i>ncl:engName</i>	Physical Description
xsd:element		
	= <i>name</i>	tag225
	= <i>type</i>	tag225Type
	= <i>minOccurs</i>	0
	= <i>maxOccurs</i>	unbounded
	= <i>ncl:chiName</i>	集叢項
	= <i>ncl:engName</i>	Series
xsd:element		
	= <i>name</i>	tag300
	= <i>type</i>	tag300Type
	= <i>minOccurs</i>	0
	= <i>maxOccurs</i>	unbounded
	= <i>ncl:chiName</i>	一般註
	= <i>ncl:engName</i>	General Notes
xsd:element		
	= <i>name</i>	tag301
	= <i>type</i>	tag300Type
	= <i>minOccurs</i>	0
	= <i>maxOccurs</i>	unbounded
	= <i>ncl:chiName</i>	識別號碼註
	= <i>ncl:engName</i>	Notes Pertaining to Identification Numbers
xsd:element		
	= <i>name</i>	tag302
	= <i>type</i>	tag300Type
	= <i>minOccurs</i>	0
	= <i>maxOccurs</i>	unbounded
	= <i>ncl:chiName</i>	代碼資料註
	= <i>ncl:engName</i>	Notes Pertaining to Coded Information
xsd:element		
	= <i>name</i>	tag303
	= <i>type</i>	tag300Type
	= <i>minOccurs</i>	0
	= <i>maxOccurs</i>	unbounded
	= <i>ncl:chiName</i>	著錄依據註
	= <i>ncl:engName</i>	General Notes Pertaining to Descriptive Information
xsd:element		
	= <i>name</i>	tag304
	= <i>type</i>	tag300Type
	= <i>minOccurs</i>	0
	= <i>maxOccurs</i>	unbounded
	= <i>ncl:chiName</i>	題名及著者敘述項註
	= <i>ncl:engName</i>	Notes Pertaining to Title and Statement of Responsibility
xsd:element		
	= <i>name</i>	tag305
	= <i>type</i>	tag300Type
	= <i>minOccurs</i>	0
	= <i>maxOccurs</i>	unbounded
	= <i>ncl:chiName</i>	版本項及書目歷史註
	= <i>ncl:engName</i>	Notes Pertaining to Edition and Bibliographic History
xsd:element		
	= <i>name</i>	tag306
	= <i>type</i>	tag300Type
	= <i>minOccurs</i>	0
	= <i>maxOccurs</i>	unbounded
	= <i>ncl:chiName</i>	出版項註

	= <i>ncl:engName</i>	Notes Pertaining to Publication, Distribution, etc.
▲ <i>xsd:element</i>		
	= <i>name</i>	tag307
	= <i>type</i>	tag300Type
	= <i>minOccurs</i>	0
	= <i>maxOccurs</i>	unbounded
	= <i>ncl:chiName</i>	稽核項註
	= <i>ncl:engName</i>	Notes Pertaining to Physical Description
▲ <i>xsd:element</i>		
	= <i>name</i>	tag308
	= <i>type</i>	tag300Type
	= <i>minOccurs</i>	0
	= <i>maxOccurs</i>	unbounded
	= <i>ncl:chiName</i>	集叢項註
	= <i>ncl:engName</i>	Notes Pertaining to Series
▲ <i>xsd:element</i>		
	= <i>name</i>	tag310
	= <i>type</i>	tag300Type
	= <i>minOccurs</i>	0
	= <i>maxOccurs</i>	unbounded
	= <i>ncl:chiName</i>	裝訂及發行性質註
	= <i>ncl:engName</i>	Notes Pertaining to Binding and Availability
▲ <i>xsd:element</i>		
	= <i>name</i>	tag311
	= <i>type</i>	tag300Type
	= <i>minOccurs</i>	0
	= <i>maxOccurs</i>	unbounded
	= <i>ncl:chiName</i>	連接欄註
	= <i>ncl:engName</i>	Notes Pertaining to Linking Fields
▲ <i>xsd:element</i>		
	= <i>name</i>	tag312
	= <i>type</i>	tag300Type
	= <i>minOccurs</i>	0
	= <i>maxOccurs</i>	unbounded
	= <i>ncl:chiName</i>	相關題名註
	= <i>ncl:engName</i>	Notes Pertaining to Related Titles
▲ <i>xsd:element</i>		
	= <i>name</i>	tag314
	= <i>type</i>	tag300Type
	= <i>minOccurs</i>	0
	= <i>maxOccurs</i>	unbounded
	= <i>ncl:chiName</i>	著者註
	= <i>ncl:engName</i>	Notes Pertaining to Intellectual Responsibility
▲ <i>xsd:element</i>		
	= <i>name</i>	tag315
	= <i>type</i>	tag300Type
	= <i>minOccurs</i>	0
	= <i>maxOccurs</i>	unbounded
	= <i>ncl:chiName</i>	特殊細節註
	= <i>ncl:engName</i>	Notes Pertaining to Material (or Type of Publication) Specific Information
▲ <i>xsd:element</i>		
	= <i>name</i>	tag316
	= <i>type</i>	tag300Type
	= <i>minOccurs</i>	0
	= <i>maxOccurs</i>	unbounded

	= ncl:chiName	卷數註
	= ncl:engName	Notes Pertaining to Number of Chuan
▲ xsd:element	= name	tag320
	= type	tag300Type
	= minOccurs	0
	= maxOccurs	unbounded
	= ncl:chiName	書目、索引、附錄等註
	= ncl:engName	Internal Bibliographies / Indexes Note
▲ xsd:element	= name	tag321
	= type	tag321Type
	= minOccurs	0
	= maxOccurs	unbounded
	= ncl:chiName	被索引、摘要及引用註
	= ncl:engName	External Indexes / Abstracts / References Note
▲ xsd:element	= name	tag322
	= type	tag300Type
	= minOccurs	0
	= ncl:chiName	演出者註 (適用於放映、錄影、錄音資料)
	= ncl:engName	Cast Note (Projected and Video Material and Sound Recordings)
▲ xsd:element	= name	tag323
	= type	tag300Type
	= minOccurs	0
	= maxOccurs	unbounded
	= ncl:chiName	演出者註 (適用於放映、錄影、錄音資料)
	= ncl:engName	Cast Note (Projected and Video Material and Sound Recordings)
▲ xsd:element	= name	tag324
	= type	tag300Type
	= minOccurs	0
	= ncl:chiName	影鈔註
	= ncl:engName	Facsimile Note
▲ xsd:element	= name	tag326
	= type	tag326Type
	= minOccurs	0
	= maxOccurs	unbounded
	= ncl:chiName	刊期註
	= ncl:engName	Frequency Statement Note (Serials)
▲ xsd:element	= name	tag327
	= type	tag327Type
	= minOccurs	0
	= ncl:chiName	內容註
	= ncl:engName	Contents Note
▲ xsd:element	= name	tag328
	= type	tag300Type
	= minOccurs	0

	maxOccurs	unbounded
	nclchiName	學位論文註
	nclengName	Dissertation (Thesis) Note
xsd:element	name	tag330
	type	tag300Type
	minOccurs	0
	maxOccurs	unbounded
	nclchiName	提要註
	nclengName	Summary or Abstract
xsd:element	name	tag333
	type	tag300Type
	minOccurs	0
	maxOccurs	unbounded
	nclchiName	使用者/適用對象註
	nclengName	Users/Intended Audience Note
xsd:element	name	tag336
	type	tag300Type
	minOccurs	0
	maxOccurs	unbounded
	nclchiName	電腦檔資料型式註
	nclengName	Type of Electronic Resource Note
xsd:element	name	tag337
	type	tag300Type
	minOccurs	0
	maxOccurs	unbounded
	nclchiName	技術細節註 (電腦檔)
	nclengName	Technical Details Note (Electronic Resource)
xsd:element	name	tag339
	type	tag300Type
	minOccurs	0
	maxOccurs	unbounded
	nclchiName	館藏註
	nclengName	Holdings Note
xsd:element	name	tag345
	type	tag345Type
	minOccurs	0
	nclchiName	探訪資料註
	nclengName	Acquisition Information Note
xsd:element	name	tag410
	type	tag400Type
	minOccurs	0
	maxOccurs	unbounded
	nclchiName	集叢
	nclengName	Series
xsd:element	name	tag411
	type	tag400Type
	minOccurs	0
	maxOccurs	unbounded
	nclchiName	附屬集叢
	nclengName	Subseries

xsd:element name type minOccurs maxOccurs ncl:chiName ncl:engName	tag421 tag400Type 0 unbounded 補篇 Supplement
xsd:element name type minOccurs maxOccurs ncl:chiName ncl:engName	tag422 tag400Type 0 unbounded 本篇 Parent of Supplement
xsd:element name type minOccurs maxOccurs ncl:chiName ncl:engName	tag423 tag400Type 0 unbounded 合刊・合訂 Issued with
xsd:element name type minOccurs maxOccurs ncl:chiName ncl:engName	tag430 tag400Type 0 unbounded 繼續 Continues
xsd:element name type minOccurs maxOccurs ncl:chiName ncl:engName	tag431 tag400Type 0 unbounded 衍自 Continues in Part
xsd:element name type minOccurs maxOccurs ncl:chiName ncl:engName	tag434 tag400Type 0 unbounded 合併 Absorbed
xsd:element name type minOccurs maxOccurs ncl:chiName ncl:engName	tag435 tag400Type 0 unbounded 部份合併 Absorbed in Part
xsd:element name type minOccurs maxOccurs ncl:chiName ncl:engName	tag436 tag400Type 0 unbounded 由 及 合併而成 Formed by Merger of ..., ..., and ...
xsd:element name type minOccurs maxOccurs ncl:chiName	tag440 tag400Type 0 unbounded 改名

	ncl:engName	Continued by
xs:element	name	tag441
	type	tag400Type
	minOccurs	0
	maxOccurs	unbounded
	ncl:chiName	部份衍成
	ncl:engName	Continued in Part by
xs:element	name	tag444
	type	tag400Type
	minOccurs	0
	maxOccurs	unbounded
	ncl:chiName	併入
	ncl:engName	Absorbed by
xs:element	name	tag445
	type	tag400Type
	minOccurs	0
	maxOccurs	unbounded
	ncl:chiName	部份併入
	ncl:engName	Absorbed in Part by
xs:element	name	tag446
	type	tag400Type
	minOccurs	0
	maxOccurs	unbounded
	ncl:chiName	衍成
	ncl:engName	Split into..., ..., and ...
xs:element	name	tag447
	type	tag400Type
	minOccurs	0
	maxOccurs	unbounded
	ncl:chiName	與 及 合併成
	ncl:engName	Merged with ... and ... to Form ...
xs:element	name	tag448
	type	tag400Type
	minOccurs	0
	maxOccurs	unbounded
	ncl:chiName	恢復原題名
	ncl:engName	Changed Back to
xs:element	name	tag451
	type	tag400Type
	minOccurs	0
	maxOccurs	unbounded
	ncl:chiName	同一媒體之其他版本
	ncl:engName	Other Edition in The Same Medium
xs:element	name	tag452
	type	tag400Type
	minOccurs	0
	maxOccurs	unbounded
	ncl:chiName	不同一媒體之其他版本
	ncl:engName	Other Edition in Another Medium
xs:element	name	tag453
	type	tag400Type

	minOccurs	0
	maxOccurs	unbounded
	ncName	譯作
	ncName	Translated as
xs:element		
	name	tag454
	type	tag400Type
	minOccurs	0
	maxOccurs	unbounded
	ncName	譯自
	ncName	Translation of
xs:element		
	name	tag461
	type	tag400Type
	minOccurs	0
	maxOccurs	unbounded
	ncName	總集
	ncName	Set
xs:element		
	name	tag462
	type	tag400Type
	minOccurs	0
	maxOccurs	unbounded
	ncName	分集
	ncName	Subset
xs:element		
	name	tag463
	type	tag400Type
	minOccurs	0
	maxOccurs	unbounded
	ncName	單冊
	ncName	Piece
xs:element		
	name	tag464
	type	tag400Type
	minOccurs	0
	maxOccurs	unbounded
	ncName	單冊分析
	ncName	Piece - Analytic
xs:element		
	name	tag488
	type	tag400Type
	minOccurs	0
	maxOccurs	unbounded
	ncName	其他相關作品
	ncName	Other Related Work
xs:element		
	name	tag500
	type	tag500Type
	minOccurs	0
	maxOccurs	unbounded
	ncName	劃一題名
	ncName	Uniform Title
xs:element		
	name	tag501
	type	tag501Type
	minOccurs	0
	maxOccurs	unbounded
	ncName	總集劃一題名
	ncName	Collective Uniform Title
xs:element		
	name	tag503
	type	tag503Type

	minOccurs	0
	maxOccurs	unbounded
	ncl:chiName	劃一習用標目
	ncl:engName	Uniform Conventional Heading
▲ xsd:element	name	tag510
	type	tag510Type
	minOccurs	0
	maxOccurs	unbounded
	ncl:chiName	並列題名
	ncl:engName	Parallel Title Proper
▲ xsd:element	name	tag512
	type	tag512Type
	minOccurs	0
	maxOccurs	unbounded
	ncl:chiName	封面題名
	ncl:engName	Cover Title
▲ xsd:element	name	tag513
	type	tag513Type
	minOccurs	0
	maxOccurs	unbounded
	ncl:chiName	附加書名頁題名
	ncl:engName	Added Title-page Title
▲ xsd:element	name	tag514
	type	tag514Type
	minOccurs	0
	maxOccurs	unbounded
	ncl:chiName	卷端題名
	ncl:engName	Caption Title
▲ xsd:element	name	tag515
	type	tag515Type
	minOccurs	0
	maxOccurs	unbounded
	ncl:chiName	逐頁題名
	ncl:engName	Running Title
▲ xsd:element	name	tag516
	type	tag516Type
	minOccurs	0
	maxOccurs	unbounded
	ncl:chiName	書背題名
	ncl:engName	Spine Title
▲ xsd:element	name	tag517
	type	tag517Type
	minOccurs	0
	maxOccurs	unbounded
	ncl:chiName	其他題名
	ncl:engName	Other Variant Titles
▲ xsd:element	name	tag520
	type	tag520Type
	minOccurs	0
	maxOccurs	unbounded
	ncl:chiName	舊題名 (適用於連續性出版品)
	ncl:engName	Former Title (Serials)
▲ xsd:element	name	tag530

	<table border="1"> <tr><td>≡ type</td><td>tag530Type</td></tr> <tr><td>≡ minOccurs</td><td>0</td></tr> <tr><td>≡ maxOccurs</td><td>unbounded</td></tr> <tr><td>≡ ncl:chiName</td><td>識別題名 (適用於連續性出版品)</td></tr> <tr><td>≡ ncl:engName</td><td>Key Title (Serials)</td></tr> </table>	≡ type	tag530Type	≡ minOccurs	0	≡ maxOccurs	unbounded	≡ ncl:chiName	識別題名 (適用於連續性出版品)	≡ ncl:engName	Key Title (Serials)		
≡ type	tag530Type												
≡ minOccurs	0												
≡ maxOccurs	unbounded												
≡ ncl:chiName	識別題名 (適用於連續性出版品)												
≡ ncl:engName	Key Title (Serials)												
▲ xsd:element	<table border="1"> <tr><td>≡ name</td><td>tag531</td></tr> <tr><td>≡ type</td><td>tag531Type</td></tr> <tr><td>≡ minOccurs</td><td>0</td></tr> <tr><td>≡ maxOccurs</td><td>unbounded</td></tr> <tr><td>≡ ncl:chiName</td><td>簡略題名 (適用於連續性出版品)</td></tr> <tr><td>≡ ncl:engName</td><td>Abbreviated Title (Serials)</td></tr> </table>	≡ name	tag531	≡ type	tag531Type	≡ minOccurs	0	≡ maxOccurs	unbounded	≡ ncl:chiName	簡略題名 (適用於連續性出版品)	≡ ncl:engName	Abbreviated Title (Serials)
≡ name	tag531												
≡ type	tag531Type												
≡ minOccurs	0												
≡ maxOccurs	unbounded												
≡ ncl:chiName	簡略題名 (適用於連續性出版品)												
≡ ncl:engName	Abbreviated Title (Serials)												
▲ xsd:element	<table border="1"> <tr><td>≡ name</td><td>tag532</td></tr> <tr><td>≡ type</td><td>tag532Type</td></tr> <tr><td>≡ minOccurs</td><td>0</td></tr> <tr><td>≡ maxOccurs</td><td>unbounded</td></tr> <tr><td>≡ ncl:chiName</td><td>完整題名</td></tr> <tr><td>≡ ncl:engName</td><td>Expanded Title</td></tr> </table>	≡ name	tag532	≡ type	tag532Type	≡ minOccurs	0	≡ maxOccurs	unbounded	≡ ncl:chiName	完整題名	≡ ncl:engName	Expanded Title
≡ name	tag532												
≡ type	tag532Type												
≡ minOccurs	0												
≡ maxOccurs	unbounded												
≡ ncl:chiName	完整題名												
≡ ncl:engName	Expanded Title												
▲ xsd:element	<table border="1"> <tr><td>≡ name</td><td>tag540</td></tr> <tr><td>≡ type</td><td>tag540Type</td></tr> <tr><td>≡ minOccurs</td><td>0</td></tr> <tr><td>≡ maxOccurs</td><td>unbounded</td></tr> <tr><td>≡ ncl:chiName</td><td>編目員附加題名</td></tr> <tr><td>≡ ncl:engName</td><td>Additional Title Supplied by Cataloguer</td></tr> </table>	≡ name	tag540	≡ type	tag540Type	≡ minOccurs	0	≡ maxOccurs	unbounded	≡ ncl:chiName	編目員附加題名	≡ ncl:engName	Additional Title Supplied by Cataloguer
≡ name	tag540												
≡ type	tag540Type												
≡ minOccurs	0												
≡ maxOccurs	unbounded												
≡ ncl:chiName	編目員附加題名												
≡ ncl:engName	Additional Title Supplied by Cataloguer												
▲ xsd:element	<table border="1"> <tr><td>≡ name</td><td>tag541</td></tr> <tr><td>≡ type</td><td>tag541Type</td></tr> <tr><td>≡ minOccurs</td><td>0</td></tr> <tr><td>≡ maxOccurs</td><td>unbounded</td></tr> <tr><td>≡ ncl:chiName</td><td>編目員翻譯題名</td></tr> <tr><td>≡ ncl:engName</td><td>Translated Title Supplied by Cataloguer</td></tr> </table>	≡ name	tag541	≡ type	tag541Type	≡ minOccurs	0	≡ maxOccurs	unbounded	≡ ncl:chiName	編目員翻譯題名	≡ ncl:engName	Translated Title Supplied by Cataloguer
≡ name	tag541												
≡ type	tag541Type												
≡ minOccurs	0												
≡ maxOccurs	unbounded												
≡ ncl:chiName	編目員翻譯題名												
≡ ncl:engName	Translated Title Supplied by Cataloguer												
▲ xsd:element	<table border="1"> <tr><td>≡ name</td><td>tag600</td></tr> <tr><td>≡ type</td><td>tag600Type</td></tr> <tr><td>≡ minOccurs</td><td>0</td></tr> <tr><td>≡ maxOccurs</td><td>unbounded</td></tr> <tr><td>≡ ncl:chiName</td><td>人名標題</td></tr> <tr><td>≡ ncl:engName</td><td>Personal Name Used as Subject</td></tr> </table>	≡ name	tag600	≡ type	tag600Type	≡ minOccurs	0	≡ maxOccurs	unbounded	≡ ncl:chiName	人名標題	≡ ncl:engName	Personal Name Used as Subject
≡ name	tag600												
≡ type	tag600Type												
≡ minOccurs	0												
≡ maxOccurs	unbounded												
≡ ncl:chiName	人名標題												
≡ ncl:engName	Personal Name Used as Subject												
▲ xsd:element	<table border="1"> <tr><td>≡ name</td><td>tag601</td></tr> <tr><td>≡ type</td><td>tag601Type</td></tr> <tr><td>≡ minOccurs</td><td>0</td></tr> <tr><td>≡ maxOccurs</td><td>unbounded</td></tr> <tr><td>≡ ncl:chiName</td><td>團體名稱標題</td></tr> <tr><td>≡ ncl:engName</td><td>Corporate Body Name Used as Subject</td></tr> </table>	≡ name	tag601	≡ type	tag601Type	≡ minOccurs	0	≡ maxOccurs	unbounded	≡ ncl:chiName	團體名稱標題	≡ ncl:engName	Corporate Body Name Used as Subject
≡ name	tag601												
≡ type	tag601Type												
≡ minOccurs	0												
≡ maxOccurs	unbounded												
≡ ncl:chiName	團體名稱標題												
≡ ncl:engName	Corporate Body Name Used as Subject												
▲ xsd:element	<table border="1"> <tr><td>≡ name</td><td>tag602</td></tr> <tr><td>≡ type</td><td>tag602Type</td></tr> <tr><td>≡ minOccurs</td><td>0</td></tr> <tr><td>≡ maxOccurs</td><td>unbounded</td></tr> <tr><td>≡ ncl:chiName</td><td>家族名稱標題</td></tr> <tr><td>≡ ncl:engName</td><td>Family Name Used as Subject</td></tr> </table>	≡ name	tag602	≡ type	tag602Type	≡ minOccurs	0	≡ maxOccurs	unbounded	≡ ncl:chiName	家族名稱標題	≡ ncl:engName	Family Name Used as Subject
≡ name	tag602												
≡ type	tag602Type												
≡ minOccurs	0												
≡ maxOccurs	unbounded												
≡ ncl:chiName	家族名稱標題												
≡ ncl:engName	Family Name Used as Subject												
▲ xsd:element	<table border="1"> <tr><td>≡ name</td><td>tag604</td></tr> <tr><td>≡ type</td><td>tag604Type</td></tr> <tr><td>≡ minOccurs</td><td>0</td></tr> </table>	≡ name	tag604	≡ type	tag604Type	≡ minOccurs	0						
≡ name	tag604												
≡ type	tag604Type												
≡ minOccurs	0												

	maxOccurs	unbounded
	ncl:chiName	著者/題名標題
	ncl:engName	Name and Title Used as Subject
xsd:element	name	tag605
	type	tag605Type
	minOccurs	0
	maxOccurs	unbounded
	ncl:chiName	題名標題
	ncl:engName	Title Used as Subject
xsd:element	name	tag606
	type	tag606Type
	minOccurs	0
	maxOccurs	unbounded
	ncl:chiName	主題標題
	ncl:engName	Topical Name Used as Subject
xsd:element	name	tag607
	type	tag606Type
	minOccurs	0
	maxOccurs	unbounded
	ncl:chiName	地名標題
	ncl:engName	Geographical Name Used as Subject
xsd:element	name	tag608
	type	tag608Type
	minOccurs	0
	maxOccurs	unbounded
	ncl:chiName	輔助檢索項 (善本書)
	ncl:engName	Auxiliary Access Field (for Chinese Rare Books Only)
xsd:element	name	tag610
	type	tag610Type
	minOccurs	0
	maxOccurs	unbounded
	ncl:chiName	非控制主題詞彙
	ncl:engName	Uncontrolled Subject Terms
xsd:element	name	tag620
	type	tag620Type
	minOccurs	0
	maxOccurs	unbounded
	ncl:chiName	輔助檢索項 (出版地、製作地等)
	ncl:engName	Place Access
xsd:element	name	tag626
	type	tag626Type
	minOccurs	0
	maxOccurs	unbounded
	ncl:chiName	技術細節檢索項 (電腦檔)
	ncl:engName	Technical Details Access (Electronic Resources)
xsd:element	name	tag660
	type	tag660Type

	minOccurs	0
	maxOccurs	unbounded
	ncl:chiName	地區代碼
	ncl:engName	Geographic Area Code (GAC)
xs:element	name	tag661
	type	tag661Type
	minOccurs	0
	maxOccurs	unbounded
	ncl:chiName	年代代碼
	ncl:engName	Time Period Code
xs:element	name	tag670
	type	tag670Type
	minOccurs	0
	maxOccurs	unbounded
	ncl:chiName	前後關係索引法
	ncl:engName	Precis
xs:element	name	tag675
	type	tag675Type
	minOccurs	0
	maxOccurs	unbounded
	ncl:chiName	國際十進分類號
	ncl:engName	Universal Decimal Classification (UDC)
xs:element	name	tag676
	type	tag676Type
	minOccurs	0
	maxOccurs	unbounded
	ncl:chiName	杜威十進分類號
	ncl:engName	Dewey Decimal Classification (DDC)
xs:element	name	tag680
	type	tag680Type
	minOccurs	0
	maxOccurs	unbounded
	ncl:chiName	美國國會圖書館分類號
	ncl:engName	Library of Congress Classification
xs:element	name	tag681
	type	tag681Type
	minOccurs	0
	maxOccurs	unbounded
	ncl:chiName	中國圖書館分類號
	ncl:engName	Chinese Classification Scheme (CCS)
xs:element	name	tag682
	type	tag680Type
	minOccurs	0
	maxOccurs	unbounded
	ncl:chiName	農業資料中心分類號
	ncl:engName	Agricultural Science Information Center (ASIC) Classification Scheme
xs:element	name	tag686
	type	tag680Type
	minOccurs	0

	maxOccurs	unbounded
	ncl:chiName	美國國立醫學圖書館分類號
	ncl:engName	National Library of Medicine Classification
✚ xsd:element	name	tag687
	type	tag687Type
	minOccurs	0
	maxOccurs	unbounded
	ncl:chiName	其他分類號
	ncl:engName	Other Class Numbers
✚ xsd:element	name	tag700
	type	tag700Type
	minOccurs	0
	maxOccurs	unbounded
	ncl:chiName	人名—主要著者
	ncl:engName	Personal Name—Primary Intellectual Responsibility
✚ xsd:element	name	tag770
	type	tag770Type
	minOccurs	0
	ncl:chiName	人名(羅馬拼音/中譯作品之著者原名)—主要著者
	ncl:engName	Personal Name (Romanzation/Original Name of Translated Works)—Primary Intellectual Responsibility
✚ xsd:element	name	tag701
	type	tag700Type
	minOccurs	0
	maxOccurs	unbounded
	ncl:chiName	人名—合著者或其他相當主要著者
	ncl:engName	Personal Name—Alternative Intellectual Responsibility
✚ xsd:element	name	tag771
	type	tag770Type
	minOccurs	0
	maxOccurs	unbounded
	ncl:chiName	人名(羅馬拼音/中譯作品之著者原名)—合著者或其他相當主要著者
	ncl:engName	Personal Name (Romanzation/Original Name of Translated Works)—Alternative Intellectual Responsibility
✚ xsd:element	name	tag702
	type	tag702Type
	minOccurs	0
	maxOccurs	unbounded
	ncl:chiName	人名—輔助著者
	ncl:engName	Personal Name—Secondary Intellectual Responsibility
✚ xsd:element	name	tag772

≡ type	tag770Type
≡ minOccurs	0
≡ maxOccurs	unbounded
≡ ncl:chiName	人名（羅馬拼音／中譯作品之著者原名）－輔助著者
≡ ncl:engName	Personal Name (Romanization/Original Name of Translated Works) – Secondary Intellectual Responsibility

▲ xsd:element

≡ name	tag710
≡ type	tag710Type
≡ minOccurs	0
≡ ncl:chiName	團體名稱－主要著者
≡ ncl:engName	

▲ xsd:element

≡ name	tag780
≡ type	tag780Type
≡ minOccurs	0
≡ ncl:chiName	團體名稱（羅馬拼音／中譯作品之著者原名）－主要著者
≡ ncl:engName	Corporate Body Name (Romanization/Original Name of Translated Works) – Primary Intellectual Responsibility

▲ xsd:element

≡ name	tag711
≡ type	tag710Type
≡ minOccurs	0
≡ maxOccurs	unbounded
≡ ncl:chiName	團體名稱－合著者或其他相當主要著者
≡ ncl:engName	Corporate Body Name – Alternative Intellectual Responsibility

▲ xsd:element

≡ name	tag781
≡ type	tag780Type
≡ minOccurs	0
≡ maxOccurs	unbounded
≡ ncl:chiName	團體名稱（羅馬拼音／中譯作品之著者原名）合著者或其他相當主要著者
≡ ncl:engName	Corporate Body Name (Romanization/Original Name of Translated Work) – Alternative Intellectual Responsibility

▲ xsd:element

≡ name	tag712
≡ type	tag712Type
≡ minOccurs	0
≡ maxOccurs	unbounded
≡ ncl:chiName	團體名稱－輔助著者
≡ ncl:engName	Corporate Body Name – Secondary Intellectual Responsibility

▲ xsd:element

≡ name	tag782
≡ type	tag780Type
≡ minOccurs	0

	maxOccurs	unbounded
	ncl:chiName	團體名稱 (羅馬拼音/中譯作品之著者原名) - 輔助著者
	ncl:engName	Corporate Body Name (Romanzation/Original Name of Translated Works) - Secondary Intellectual Responsibility
▲ xsd:element		
	name	tag720
	type	tag720Type
	minOccurs	0
	ncl:chiName	家族名稱 - 主要著者
	ncl:engName	Family Name - Primary Intellectual Responsibility
▲ xsd:element		
	name	tag790
	type	tag720Type
	minOccurs	0
	ncl:chiName	家族名稱 (羅馬拼音/中譯作品之著者原名) - 主要著者
	ncl:engName	Family Name (Romanzation/Original Name of Translated Works) - Primary Intellectual Responsibility
▲ xsd:element		
	name	tag721
	type	tag720Type
	minOccurs	0
	maxOccurs	unbounded
	ncl:chiName	家族名稱 - 合著者或其他相當主要著者
	ncl:engName	Family Name - Alternative Intellectual Responsibility
▲ xsd:element		
	name	tag791
	type	tag720Type
	minOccurs	0
	maxOccurs	unbounded
	ncl:chiName	家族名稱 (羅馬拼音/中譯作品之著者原名) - 合著者或其他相當主要著者
	ncl:engName	Family Name (Romanzation/Original Name of Translated Works) - Alternative Intellectual Responsibility
▲ xsd:element		
	name	tag722
	type	tag720Type
	minOccurs	0
	maxOccurs	unbounded
	ncl:chiName	家族名稱 - 輔助著者
	ncl:engName	Family Name - Secondary Intellectual Responsibility
▲ xsd:element		
	name	tag792
	type	tag720Type
	minOccurs	0
	maxOccurs	unbounded

	<table border="1"> <tr> <td>= ncl:chiName</td> <td>家族名稱 (羅馬拼音 / 中譯作品之著者原名) - 輔助著者</td> </tr> <tr> <td>= ncl:engName</td> <td>Family Name (Romanization / Original Name of Translated Works) - Secondary Intellectual Responsibility</td> </tr> </table>	= ncl:chiName	家族名稱 (羅馬拼音 / 中譯作品之著者原名) - 輔助著者	= ncl:engName	Family Name (Romanization / Original Name of Translated Works) - Secondary Intellectual Responsibility																																																																								
= ncl:chiName	家族名稱 (羅馬拼音 / 中譯作品之著者原名) - 輔助著者																																																																												
= ncl:engName	Family Name (Romanization / Original Name of Translated Works) - Secondary Intellectual Responsibility																																																																												
<table border="1"> <tr> <td colspan="2">xsd:element</td> </tr> <tr> <td>= name</td> <td>tag801</td> </tr> <tr> <td>= type</td> <td>tag801Type</td> </tr> <tr> <td>= minOccurs</td> <td>0</td> </tr> <tr> <td>= maxOccurs</td> <td>unbounded</td> </tr> <tr> <td>= ncl:chiName</td> <td>出處欄</td> </tr> <tr> <td>= ncl:engName</td> <td>Originating Source</td> </tr> </table>	xsd:element		= name	tag801	= type	tag801Type	= minOccurs	0	= maxOccurs	unbounded	= ncl:chiName	出處欄	= ncl:engName	Originating Source																																																															
xsd:element																																																																													
= name	tag801																																																																												
= type	tag801Type																																																																												
= minOccurs	0																																																																												
= maxOccurs	unbounded																																																																												
= ncl:chiName	出處欄																																																																												
= ncl:engName	Originating Source																																																																												
<table border="1"> <tr> <td colspan="2">xsd:element</td> </tr> <tr> <td>= name</td> <td>tag802</td> </tr> <tr> <td>= type</td> <td>tag802Type</td> </tr> <tr> <td>= minOccurs</td> <td>0</td> </tr> <tr> <td>= ncl:chiName</td> <td>國際叢刊資料系統中心</td> </tr> <tr> <td>= ncl:engName</td> <td>ISDS Centre</td> </tr> </table>	xsd:element		= name	tag802	= type	tag802Type	= minOccurs	0	= ncl:chiName	國際叢刊資料系統中心	= ncl:engName	ISDS Centre																																																																	
xsd:element																																																																													
= name	tag802																																																																												
= type	tag802Type																																																																												
= minOccurs	0																																																																												
= ncl:chiName	國際叢刊資料系統中心																																																																												
= ncl:engName	ISDS Centre																																																																												
<table border="1"> <tr> <td colspan="2">xsd:element</td> </tr> <tr> <td>= name</td> <td>tag805</td> </tr> <tr> <td>= type</td> <td>tag805Type</td> </tr> <tr> <td>= minOccurs</td> <td>0</td> </tr> <tr> <td>= maxOccurs</td> <td>unbounded</td> </tr> <tr> <td>= ncl:chiName</td> <td>館藏記錄</td> </tr> <tr> <td>= ncl:engName</td> <td>Local Library Holdings</td> </tr> </table>	xsd:element		= name	tag805	= type	tag805Type	= minOccurs	0	= maxOccurs	unbounded	= ncl:chiName	館藏記錄	= ncl:engName	Local Library Holdings																																																															
xsd:element																																																																													
= name	tag805																																																																												
= type	tag805Type																																																																												
= minOccurs	0																																																																												
= maxOccurs	unbounded																																																																												
= ncl:chiName	館藏記錄																																																																												
= ncl:engName	Local Library Holdings																																																																												
<p>Comment</p> <p style="text-align: center;">** 分欄定義 **</p>																																																																													
<table border="1"> <tr> <td colspan="2">xsd:complexType</td> </tr> <tr> <td>= name</td> <td>tag010Type</td> </tr> <tr> <td>= id</td> <td>010Type</td> </tr> <tr> <td colspan="2">xsd:sequence</td> </tr> <tr> <td colspan="2"> <table border="1"> <tr> <td colspan="2">xsd:element</td> </tr> <tr> <td>= name</td> <td>_a</td> </tr> <tr> <td>= ncl:chiName</td> <td>號碼</td> </tr> <tr> <td>= ncl:engName</td> <td>Number (ISBN)</td> </tr> </table> </td> </tr> <tr> <td colspan="2"> <table border="1"> <tr> <td colspan="2">xsd:element</td> </tr> <tr> <td>= name</td> <td>_b</td> </tr> <tr> <td>= minOccurs</td> <td>0</td> </tr> <tr> <td>= ncl:chiName</td> <td>裝訂及其他區別字樣</td> </tr> <tr> <td>= ncl:engName</td> <td>Qualification</td> </tr> </table> </td> </tr> <tr> <td colspan="2"> <table border="1"> <tr> <td colspan="2">xsd:element</td> </tr> <tr> <td>= name</td> <td>_c</td> </tr> <tr> <td>= minOccurs</td> <td>0</td> </tr> <tr> <td>= ncl:chiName</td> <td>發行性質 / 價格</td> </tr> <tr> <td>= ncl:engName</td> <td>Terms of Availability and / or Price</td> </tr> </table> </td> </tr> <tr> <td colspan="2"> <table border="1"> <tr> <td colspan="2">xsd:element</td> </tr> <tr> <td>= name</td> <td>_z</td> </tr> <tr> <td>= minOccurs</td> <td>0</td> </tr> <tr> <td>= maxOccurs</td> <td>unbounded</td> </tr> <tr> <td>= ncl:chiName</td> <td>取消 / 錯誤號碼</td> </tr> <tr> <td>= ncl:engName</td> <td>Erroneous ISBN</td> </tr> </table> </td> </tr> <tr> <td colspan="2"> <table border="1"> <tr> <td colspan="2">xsd:attribute</td> </tr> <tr> <td>= name</td> <td>ind1</td> </tr> <tr> <td>= type</td> <td>indicatorDataType</td> </tr> <tr> <td>= use</td> <td>required</td> </tr> </table> </td> </tr> <tr> <td colspan="2"> <table border="1"> <tr> <td colspan="2">xsd:attribute</td> </tr> <tr> <td>= name</td> <td>ind2</td> </tr> <tr> <td>= use</td> <td>required</td> </tr> <tr> <td>= fixed</td> <td></td> </tr> </table> </td> </tr> </table>	xsd:complexType		= name	tag010Type	= id	010Type	xsd:sequence		<table border="1"> <tr> <td colspan="2">xsd:element</td> </tr> <tr> <td>= name</td> <td>_a</td> </tr> <tr> <td>= ncl:chiName</td> <td>號碼</td> </tr> <tr> <td>= ncl:engName</td> <td>Number (ISBN)</td> </tr> </table>		xsd:element		= name	_a	= ncl:chiName	號碼	= ncl:engName	Number (ISBN)	<table border="1"> <tr> <td colspan="2">xsd:element</td> </tr> <tr> <td>= name</td> <td>_b</td> </tr> <tr> <td>= minOccurs</td> <td>0</td> </tr> <tr> <td>= ncl:chiName</td> <td>裝訂及其他區別字樣</td> </tr> <tr> <td>= ncl:engName</td> <td>Qualification</td> </tr> </table>		xsd:element		= name	_b	= minOccurs	0	= ncl:chiName	裝訂及其他區別字樣	= ncl:engName	Qualification	<table border="1"> <tr> <td colspan="2">xsd:element</td> </tr> <tr> <td>= name</td> <td>_c</td> </tr> <tr> <td>= minOccurs</td> <td>0</td> </tr> <tr> <td>= ncl:chiName</td> <td>發行性質 / 價格</td> </tr> <tr> <td>= ncl:engName</td> <td>Terms of Availability and / or Price</td> </tr> </table>		xsd:element		= name	_c	= minOccurs	0	= ncl:chiName	發行性質 / 價格	= ncl:engName	Terms of Availability and / or Price	<table border="1"> <tr> <td colspan="2">xsd:element</td> </tr> <tr> <td>= name</td> <td>_z</td> </tr> <tr> <td>= minOccurs</td> <td>0</td> </tr> <tr> <td>= maxOccurs</td> <td>unbounded</td> </tr> <tr> <td>= ncl:chiName</td> <td>取消 / 錯誤號碼</td> </tr> <tr> <td>= ncl:engName</td> <td>Erroneous ISBN</td> </tr> </table>		xsd:element		= name	_z	= minOccurs	0	= maxOccurs	unbounded	= ncl:chiName	取消 / 錯誤號碼	= ncl:engName	Erroneous ISBN	<table border="1"> <tr> <td colspan="2">xsd:attribute</td> </tr> <tr> <td>= name</td> <td>ind1</td> </tr> <tr> <td>= type</td> <td>indicatorDataType</td> </tr> <tr> <td>= use</td> <td>required</td> </tr> </table>		xsd:attribute		= name	ind1	= type	indicatorDataType	= use	required	<table border="1"> <tr> <td colspan="2">xsd:attribute</td> </tr> <tr> <td>= name</td> <td>ind2</td> </tr> <tr> <td>= use</td> <td>required</td> </tr> <tr> <td>= fixed</td> <td></td> </tr> </table>		xsd:attribute		= name	ind2	= use	required	= fixed		
xsd:complexType																																																																													
= name	tag010Type																																																																												
= id	010Type																																																																												
xsd:sequence																																																																													
<table border="1"> <tr> <td colspan="2">xsd:element</td> </tr> <tr> <td>= name</td> <td>_a</td> </tr> <tr> <td>= ncl:chiName</td> <td>號碼</td> </tr> <tr> <td>= ncl:engName</td> <td>Number (ISBN)</td> </tr> </table>		xsd:element		= name	_a	= ncl:chiName	號碼	= ncl:engName	Number (ISBN)																																																																				
xsd:element																																																																													
= name	_a																																																																												
= ncl:chiName	號碼																																																																												
= ncl:engName	Number (ISBN)																																																																												
<table border="1"> <tr> <td colspan="2">xsd:element</td> </tr> <tr> <td>= name</td> <td>_b</td> </tr> <tr> <td>= minOccurs</td> <td>0</td> </tr> <tr> <td>= ncl:chiName</td> <td>裝訂及其他區別字樣</td> </tr> <tr> <td>= ncl:engName</td> <td>Qualification</td> </tr> </table>		xsd:element		= name	_b	= minOccurs	0	= ncl:chiName	裝訂及其他區別字樣	= ncl:engName	Qualification																																																																		
xsd:element																																																																													
= name	_b																																																																												
= minOccurs	0																																																																												
= ncl:chiName	裝訂及其他區別字樣																																																																												
= ncl:engName	Qualification																																																																												
<table border="1"> <tr> <td colspan="2">xsd:element</td> </tr> <tr> <td>= name</td> <td>_c</td> </tr> <tr> <td>= minOccurs</td> <td>0</td> </tr> <tr> <td>= ncl:chiName</td> <td>發行性質 / 價格</td> </tr> <tr> <td>= ncl:engName</td> <td>Terms of Availability and / or Price</td> </tr> </table>		xsd:element		= name	_c	= minOccurs	0	= ncl:chiName	發行性質 / 價格	= ncl:engName	Terms of Availability and / or Price																																																																		
xsd:element																																																																													
= name	_c																																																																												
= minOccurs	0																																																																												
= ncl:chiName	發行性質 / 價格																																																																												
= ncl:engName	Terms of Availability and / or Price																																																																												
<table border="1"> <tr> <td colspan="2">xsd:element</td> </tr> <tr> <td>= name</td> <td>_z</td> </tr> <tr> <td>= minOccurs</td> <td>0</td> </tr> <tr> <td>= maxOccurs</td> <td>unbounded</td> </tr> <tr> <td>= ncl:chiName</td> <td>取消 / 錯誤號碼</td> </tr> <tr> <td>= ncl:engName</td> <td>Erroneous ISBN</td> </tr> </table>		xsd:element		= name	_z	= minOccurs	0	= maxOccurs	unbounded	= ncl:chiName	取消 / 錯誤號碼	= ncl:engName	Erroneous ISBN																																																																
xsd:element																																																																													
= name	_z																																																																												
= minOccurs	0																																																																												
= maxOccurs	unbounded																																																																												
= ncl:chiName	取消 / 錯誤號碼																																																																												
= ncl:engName	Erroneous ISBN																																																																												
<table border="1"> <tr> <td colspan="2">xsd:attribute</td> </tr> <tr> <td>= name</td> <td>ind1</td> </tr> <tr> <td>= type</td> <td>indicatorDataType</td> </tr> <tr> <td>= use</td> <td>required</td> </tr> </table>		xsd:attribute		= name	ind1	= type	indicatorDataType	= use	required																																																																				
xsd:attribute																																																																													
= name	ind1																																																																												
= type	indicatorDataType																																																																												
= use	required																																																																												
<table border="1"> <tr> <td colspan="2">xsd:attribute</td> </tr> <tr> <td>= name</td> <td>ind2</td> </tr> <tr> <td>= use</td> <td>required</td> </tr> <tr> <td>= fixed</td> <td></td> </tr> </table>		xsd:attribute		= name	ind2	= use	required	= fixed																																																																					
xsd:attribute																																																																													
= name	ind2																																																																												
= use	required																																																																												
= fixed																																																																													

xsd:complexType	
name	tag011Type
id	011Type
xsd:sequence	
xsd:element	
name	_a
minOccurs	0
ncl:chiName	號碼
ncl:engName	Number (ISSN)
xsd:element	
name	b
minOccurs	0
ncl:chiName	裝訂及其他區別字樣
ncl:engName	Qualification
xsd:element	
name	_d
minOccurs	0
ncl:chiName	發行性質/價格
ncl:engName	Terms of Availability and/or Price
xsd:element	
name	_y
minOccurs	0
maxOccurs	unbounded
ncl:chiName	取消之號碼
ncl:engName	Cancelled ISSN
xsd:element	
name	_z
minOccurs	0
maxOccurs	unbounded
ncl:chiName	錯誤號碼
ncl:engName	Erroneous ISSN
xsd:attribute	
name	ind1
type	indicatorDataType
use	required
xsd:attribute	
name	ind2
use	required
fixed	
Comment	
type tag020 提供欄號020、021、022共用	
xsd:complexType	
name	tag020Type
id	020Type
xsd:sequence	
xsd:element	
name	_a
minOccurs	0
ncl:chiName	國家代碼
ncl:engName	Country Code
xsd:element	
name	_b
minOccurs	0
ncl:chiName	號碼
ncl:engName	Number
xsd:element	
name	_z
minOccurs	0
maxOccurs	unbounded
ncl:chiName	取消/錯誤號碼
ncl:engName	Erroneous Number
xsd:attribute	
name	ind1
use	required

	= fixed	
xs:attribute		
= name	ind2	
= use	required	
= fixed		
xs:complexType		
= name	tag025Type	
= id	025Type	
xs:sequence		
xs:element		
= name	_a	
= minOccurs	0	
= maxOccurs	unbounded	
= ncl:chiName	銷售號、庫存號及其他字樣	
= ncl:engName	Sales Number / Stock Number	
xs:element		
= name	_b	
= minOccurs	0	
= ncl:chiName	來源(編號機構)	
= ncl:engName	Source (agency assigning number)	
xs:element		
= name	_z	
= minOccurs	0	
= maxOccurs	unbounded	
= ncl:chiName	取消 / 錯誤號碼	
= ncl:engName	Cancelled / invalid number	
xs:attribute		
= name	ind1	
= use	required	
= fixed		
xs:attribute		
= name	ind2	
= use	required	
= fixed		
xs:complexType		
= name	tag040Type	
= id	040Type	
xs:sequence		
xs:element		
= name	_a	
= minOccurs	0	
= ncl:chiName	叢刊代碼	
= ncl:engName	CODEN	
xs:element		
= name	_z	
= minOccurs	0	
= maxOccurs	unbounded	
= ncl:chiName	錯誤號碼	
= ncl:engName	Erroneous CODEN	
xs:attribute		
= name	ind1	
= use	required	
= fixed		
xs:attribute		
= name	ind2	
= use	required	
= fixed		
xs:complexType		
= name	tag042Type	
= id	042Type	
xs:sequence		

<table border="1"> <tr><td colspan="2">xsd:element</td></tr> <tr><td>name</td><td>_a</td></tr> <tr><td>minOccurs</td><td>0</td></tr> <tr><td>maxOccurs</td><td>unbounded</td></tr> <tr><td>ncl:chiName</td><td>機構代碼</td></tr> <tr><td>ncl:engName</td><td>Authentication Agency Code</td></tr> </table>		xsd:element		name	_a	minOccurs	0	maxOccurs	unbounded	ncl:chiName	機構代碼	ncl:engName	Authentication Agency Code																																										
xsd:element																																																							
name	_a																																																						
minOccurs	0																																																						
maxOccurs	unbounded																																																						
ncl:chiName	機構代碼																																																						
ncl:engName	Authentication Agency Code																																																						
<table border="1"> <tr><td colspan="2">xsd:attribute</td></tr> <tr><td>name</td><td>ind1</td></tr> <tr><td>use</td><td>required</td></tr> <tr><td>fixed</td><td></td></tr> </table>		xsd:attribute		name	ind1	use	required	fixed																																															
xsd:attribute																																																							
name	ind1																																																						
use	required																																																						
fixed																																																							
<table border="1"> <tr><td colspan="2">xsd:attribute</td></tr> <tr><td>name</td><td>ind2</td></tr> <tr><td>use</td><td>required</td></tr> <tr><td>fixed</td><td></td></tr> </table>		xsd:attribute		name	ind2	use	required	fixed																																															
xsd:attribute																																																							
name	ind2																																																						
use	required																																																						
fixed																																																							
<table border="1"> <tr><td colspan="2">xsd:complexType</td></tr> <tr><td>name</td><td>tag050Type</td></tr> <tr><td>id</td><td>050Type</td></tr> <tr><td colspan="2">xsd:sequence</td></tr> <tr><td colspan="2"> <table border="1"> <tr><td colspan="2">xsd:element</td></tr> <tr><td>name</td><td>_a</td></tr> <tr><td>minOccurs</td><td>0</td></tr> <tr><td>ncl:chiName</td><td>號碼</td></tr> <tr><td>ncl:engName</td><td>NCL Card Number</td></tr> </table> </td></tr> <tr><td colspan="2"> <table border="1"> <tr><td colspan="2">xsd:element</td></tr> <tr><td>name</td><td>_z</td></tr> <tr><td>minOccurs</td><td>0</td></tr> <tr><td>maxOccurs</td><td>unbounded</td></tr> <tr><td>ncl:chiName</td><td>取消/錯誤號碼</td></tr> <tr><td>ncl:engName</td><td>Erroneous Number</td></tr> </table> </td></tr> <tr><td colspan="2"> <table border="1"> <tr><td colspan="2">xsd:attribute</td></tr> <tr><td>name</td><td>ind1</td></tr> <tr><td>use</td><td>required</td></tr> <tr><td>fixed</td><td></td></tr> </table> </td></tr> <tr><td colspan="2"> <table border="1"> <tr><td colspan="2">xsd:attribute</td></tr> <tr><td>name</td><td>ind2</td></tr> <tr><td>use</td><td>required</td></tr> <tr><td>fixed</td><td></td></tr> </table> </td></tr> </table>		xsd:complexType		name	tag050Type	id	050Type	xsd:sequence		<table border="1"> <tr><td colspan="2">xsd:element</td></tr> <tr><td>name</td><td>_a</td></tr> <tr><td>minOccurs</td><td>0</td></tr> <tr><td>ncl:chiName</td><td>號碼</td></tr> <tr><td>ncl:engName</td><td>NCL Card Number</td></tr> </table>		xsd:element		name	_a	minOccurs	0	ncl:chiName	號碼	ncl:engName	NCL Card Number	<table border="1"> <tr><td colspan="2">xsd:element</td></tr> <tr><td>name</td><td>_z</td></tr> <tr><td>minOccurs</td><td>0</td></tr> <tr><td>maxOccurs</td><td>unbounded</td></tr> <tr><td>ncl:chiName</td><td>取消/錯誤號碼</td></tr> <tr><td>ncl:engName</td><td>Erroneous Number</td></tr> </table>		xsd:element		name	_z	minOccurs	0	maxOccurs	unbounded	ncl:chiName	取消/錯誤號碼	ncl:engName	Erroneous Number	<table border="1"> <tr><td colspan="2">xsd:attribute</td></tr> <tr><td>name</td><td>ind1</td></tr> <tr><td>use</td><td>required</td></tr> <tr><td>fixed</td><td></td></tr> </table>		xsd:attribute		name	ind1	use	required	fixed		<table border="1"> <tr><td colspan="2">xsd:attribute</td></tr> <tr><td>name</td><td>ind2</td></tr> <tr><td>use</td><td>required</td></tr> <tr><td>fixed</td><td></td></tr> </table>		xsd:attribute		name	ind2	use	required	fixed	
xsd:complexType																																																							
name	tag050Type																																																						
id	050Type																																																						
xsd:sequence																																																							
<table border="1"> <tr><td colspan="2">xsd:element</td></tr> <tr><td>name</td><td>_a</td></tr> <tr><td>minOccurs</td><td>0</td></tr> <tr><td>ncl:chiName</td><td>號碼</td></tr> <tr><td>ncl:engName</td><td>NCL Card Number</td></tr> </table>		xsd:element		name	_a	minOccurs	0	ncl:chiName	號碼	ncl:engName	NCL Card Number																																												
xsd:element																																																							
name	_a																																																						
minOccurs	0																																																						
ncl:chiName	號碼																																																						
ncl:engName	NCL Card Number																																																						
<table border="1"> <tr><td colspan="2">xsd:element</td></tr> <tr><td>name</td><td>_z</td></tr> <tr><td>minOccurs</td><td>0</td></tr> <tr><td>maxOccurs</td><td>unbounded</td></tr> <tr><td>ncl:chiName</td><td>取消/錯誤號碼</td></tr> <tr><td>ncl:engName</td><td>Erroneous Number</td></tr> </table>		xsd:element		name	_z	minOccurs	0	maxOccurs	unbounded	ncl:chiName	取消/錯誤號碼	ncl:engName	Erroneous Number																																										
xsd:element																																																							
name	_z																																																						
minOccurs	0																																																						
maxOccurs	unbounded																																																						
ncl:chiName	取消/錯誤號碼																																																						
ncl:engName	Erroneous Number																																																						
<table border="1"> <tr><td colspan="2">xsd:attribute</td></tr> <tr><td>name</td><td>ind1</td></tr> <tr><td>use</td><td>required</td></tr> <tr><td>fixed</td><td></td></tr> </table>		xsd:attribute		name	ind1	use	required	fixed																																															
xsd:attribute																																																							
name	ind1																																																						
use	required																																																						
fixed																																																							
<table border="1"> <tr><td colspan="2">xsd:attribute</td></tr> <tr><td>name</td><td>ind2</td></tr> <tr><td>use</td><td>required</td></tr> <tr><td>fixed</td><td></td></tr> </table>		xsd:attribute		name	ind2	use	required	fixed																																															
xsd:attribute																																																							
name	ind2																																																						
use	required																																																						
fixed																																																							
<table border="1"> <tr><td colspan="2">xsd:complexType</td></tr> <tr><td>name</td><td>tag071Type</td></tr> <tr><td>id</td><td>071Type</td></tr> <tr><td colspan="2">xsd:sequence</td></tr> <tr><td colspan="2"> <table border="1"> <tr><td colspan="2">xsd:element</td></tr> <tr><td>name</td><td>_a</td></tr> <tr><td>minOccurs</td><td>0</td></tr> <tr><td>ncl:chiName</td><td>出版者資料編號</td></tr> <tr><td>ncl:engName</td><td>Publisher's Number</td></tr> </table> </td></tr> <tr><td colspan="2"> <table border="1"> <tr><td colspan="2">xsd:element</td></tr> <tr><td>name</td><td>_b</td></tr> <tr><td>minOccurs</td><td>0</td></tr> <tr><td>ncl:chiName</td><td>來源</td></tr> <tr><td>ncl:engName</td><td>Source</td></tr> </table> </td></tr> <tr><td colspan="2"> <table border="1"> <tr><td colspan="2">xsd:attribute</td></tr> <tr><td>name</td><td>ind1</td></tr> <tr><td>type</td><td>indicatorDataType</td></tr> <tr><td>use</td><td>required</td></tr> </table> </td></tr> <tr><td colspan="2"> <table border="1"> <tr><td colspan="2">xsd:attribute</td></tr> <tr><td>name</td><td>ind2</td></tr> <tr><td>type</td><td>indicatorDataType</td></tr> <tr><td>use</td><td>required</td></tr> </table> </td></tr> </table>		xsd:complexType		name	tag071Type	id	071Type	xsd:sequence		<table border="1"> <tr><td colspan="2">xsd:element</td></tr> <tr><td>name</td><td>_a</td></tr> <tr><td>minOccurs</td><td>0</td></tr> <tr><td>ncl:chiName</td><td>出版者資料編號</td></tr> <tr><td>ncl:engName</td><td>Publisher's Number</td></tr> </table>		xsd:element		name	_a	minOccurs	0	ncl:chiName	出版者資料編號	ncl:engName	Publisher's Number	<table border="1"> <tr><td colspan="2">xsd:element</td></tr> <tr><td>name</td><td>_b</td></tr> <tr><td>minOccurs</td><td>0</td></tr> <tr><td>ncl:chiName</td><td>來源</td></tr> <tr><td>ncl:engName</td><td>Source</td></tr> </table>		xsd:element		name	_b	minOccurs	0	ncl:chiName	來源	ncl:engName	Source	<table border="1"> <tr><td colspan="2">xsd:attribute</td></tr> <tr><td>name</td><td>ind1</td></tr> <tr><td>type</td><td>indicatorDataType</td></tr> <tr><td>use</td><td>required</td></tr> </table>		xsd:attribute		name	ind1	type	indicatorDataType	use	required	<table border="1"> <tr><td colspan="2">xsd:attribute</td></tr> <tr><td>name</td><td>ind2</td></tr> <tr><td>type</td><td>indicatorDataType</td></tr> <tr><td>use</td><td>required</td></tr> </table>		xsd:attribute		name	ind2	type	indicatorDataType	use	required		
xsd:complexType																																																							
name	tag071Type																																																						
id	071Type																																																						
xsd:sequence																																																							
<table border="1"> <tr><td colspan="2">xsd:element</td></tr> <tr><td>name</td><td>_a</td></tr> <tr><td>minOccurs</td><td>0</td></tr> <tr><td>ncl:chiName</td><td>出版者資料編號</td></tr> <tr><td>ncl:engName</td><td>Publisher's Number</td></tr> </table>		xsd:element		name	_a	minOccurs	0	ncl:chiName	出版者資料編號	ncl:engName	Publisher's Number																																												
xsd:element																																																							
name	_a																																																						
minOccurs	0																																																						
ncl:chiName	出版者資料編號																																																						
ncl:engName	Publisher's Number																																																						
<table border="1"> <tr><td colspan="2">xsd:element</td></tr> <tr><td>name</td><td>_b</td></tr> <tr><td>minOccurs</td><td>0</td></tr> <tr><td>ncl:chiName</td><td>來源</td></tr> <tr><td>ncl:engName</td><td>Source</td></tr> </table>		xsd:element		name	_b	minOccurs	0	ncl:chiName	來源	ncl:engName	Source																																												
xsd:element																																																							
name	_b																																																						
minOccurs	0																																																						
ncl:chiName	來源																																																						
ncl:engName	Source																																																						
<table border="1"> <tr><td colspan="2">xsd:attribute</td></tr> <tr><td>name</td><td>ind1</td></tr> <tr><td>type</td><td>indicatorDataType</td></tr> <tr><td>use</td><td>required</td></tr> </table>		xsd:attribute		name	ind1	type	indicatorDataType	use	required																																														
xsd:attribute																																																							
name	ind1																																																						
type	indicatorDataType																																																						
use	required																																																						
<table border="1"> <tr><td colspan="2">xsd:attribute</td></tr> <tr><td>name</td><td>ind2</td></tr> <tr><td>type</td><td>indicatorDataType</td></tr> <tr><td>use</td><td>required</td></tr> </table>		xsd:attribute		name	ind2	type	indicatorDataType	use	required																																														
xsd:attribute																																																							
name	ind2																																																						
type	indicatorDataType																																																						
use	required																																																						
Comment	1 XX 「代碼資料段」欄位內容宣告																																																						
xsd:complexType																																																							

= name		tag100Type																																																																																																																																				
= id		100Type																																																																																																																																				
<table border="1"> <tr> <td colspan="2">xsd:sequence</td> <td> <table border="1"> <tr> <td colspan="2">xsd:element</td> <td> <table border="1"> <tr> <td>= name</td> <td>_a</td> </tr> <tr> <td>= type</td> <td>tag100aFieldType</td> </tr> <tr> <td>= ncl:chiName</td> <td>一般性資料</td> </tr> <tr> <td>= ncl:engName</td> <td>General Processing Data</td> </tr> </table> </td> </tr> <tr> <td colspan="2">xsd:attribute</td> <td> <table border="1"> <tr> <td>= name</td> <td>ind1</td> </tr> <tr> <td>= use</td> <td>required</td> </tr> <tr> <td>= fixed</td> <td></td> </tr> </table> </td> </tr> <tr> <td colspan="2">xsd:attribute</td> <td> <table border="1"> <tr> <td>= name</td> <td>ind2</td> </tr> <tr> <td>= use</td> <td>required</td> </tr> <tr> <td>= fixed</td> <td></td> </tr> </table> </td> </tr> </table> </td> </tr> <tr> <td colspan="3"> <table border="1"> <tr> <td colspan="2">xsd:simpleType</td> <td> <table border="1"> <tr> <td>= name</td> <td>tag100aFieldType</td> </tr> <tr> <td colspan="2">xsd:restriction</td> <td> <table border="1"> <tr> <td>= base</td> <td>xsd:string</td> </tr> <tr> <td colspan="2">xsd:length</td> <td> <table border="1"> <tr> <td>= value</td> <td>35</td> </tr> </table> </td> </tr> <tr> <td colspan="2">xsd:whiteSpace</td> <td> <table border="1"> <tr> <td>= value</td> <td>preserve</td> </tr> </table> </td> </tr> <tr> <td colspan="2">xsd:pattern</td> <td> <table border="1"> <tr> <td>= value</td> <td>[\d]{8}[a-gy]{1}[\d]{4}[\d]{4}[a-zA-z]{3}[a-huyz]{1}(01)[a-z]{3}(a b c y)(01 02 03 04 05 06 09)[\da-zA-Z]{4}[a-lz]{1}</td> </tr> </table> </td> </tr> </table> </td> </tr> </table> </td> </tr> <tr> <td colspan="3"> <table border="1"> <tr> <td colspan="2">xsd:complexType</td> <td> <table border="1"> <tr> <td>= name</td> <td>tag101Type</td> </tr> <tr> <td>= id</td> <td>101Type</td> </tr> <tr> <td colspan="2">xsd:sequence</td> <td> <table border="1"> <tr> <td colspan="2">xsd:element</td> <td> <table border="1"> <tr> <td>= name</td> <td>_a</td> </tr> <tr> <td>= minOccurs</td> <td>0</td> </tr> <tr> <td>= maxOccurs</td> <td>unbounded</td> </tr> <tr> <td>= ncl:chiName</td> <td>正文語文</td> </tr> <tr> <td>= ncl:engName</td> <td>Language of Text</td> </tr> </table> </td> </tr> <tr> <td colspan="2">xsd:element</td> <td> <table border="1"> <tr> <td>= name</td> <td>_b</td> </tr> <tr> <td>= minOccurs</td> <td>0</td> </tr> <tr> <td>= maxOccurs</td> <td>unbounded</td> </tr> <tr> <td>= ncl:chiName</td> <td>據以翻譯之譯文語文</td> </tr> <tr> <td>= ncl:engName</td> <td>Language of Intermediate Text when Item is Not Translated from Original</td> </tr> </table> </td> </tr> <tr> <td colspan="2">xsd:element</td> <td> <table border="1"> <tr> <td>= name</td> <td>_c</td> </tr> <tr> <td>= minOccurs</td> <td>0</td> </tr> <tr> <td>= maxOccurs</td> <td>unbounded</td> </tr> <tr> <td>= ncl:chiName</td> <td>原文</td> </tr> <tr> <td>= ncl:engName</td> <td>Language of Original Work</td> </tr> </table> </td> </tr> <tr> <td colspan="2">xsd:element</td> <td> <table border="1"> <tr> <td>= name</td> <td>_d</td> </tr> <tr> <td>= minOccurs</td> <td>0</td> </tr> <tr> <td>= maxOccurs</td> <td>unbounded</td> </tr> <tr> <td>= ncl:chiName</td> <td>提要語文</td> </tr> <tr> <td>= ncl:engName</td> <td>Language of Summary</td> </tr> </table> </td> </tr> <tr> <td colspan="2">xsd:element</td> <td> <table border="1"> <tr> <td>= name</td> <td>_e</td> </tr> <tr> <td>= minOccurs</td> <td>0</td> </tr> </table> </td> </tr> </table> </td> </tr> </table> </td> </tr> </table> </td></tr></table></td></tr></table>			xsd:sequence		<table border="1"> <tr> <td colspan="2">xsd:element</td> <td> <table border="1"> <tr> <td>= name</td> <td>_a</td> </tr> <tr> <td>= type</td> <td>tag100aFieldType</td> </tr> <tr> <td>= ncl:chiName</td> <td>一般性資料</td> </tr> <tr> <td>= ncl:engName</td> <td>General Processing Data</td> </tr> </table> </td> </tr> <tr> <td colspan="2">xsd:attribute</td> <td> <table border="1"> <tr> <td>= name</td> <td>ind1</td> </tr> <tr> <td>= use</td> <td>required</td> </tr> <tr> <td>= fixed</td> <td></td> </tr> </table> </td> </tr> <tr> <td colspan="2">xsd:attribute</td> <td> <table border="1"> <tr> <td>= name</td> <td>ind2</td> </tr> <tr> <td>= use</td> <td>required</td> </tr> <tr> <td>= fixed</td> <td></td> </tr> </table> </td> </tr> </table>	xsd:element		<table border="1"> <tr> <td>= name</td> <td>_a</td> </tr> <tr> <td>= type</td> <td>tag100aFieldType</td> </tr> <tr> <td>= ncl:chiName</td> <td>一般性資料</td> </tr> <tr> <td>= ncl:engName</td> <td>General Processing Data</td> </tr> </table>	= name	_a	= type	tag100aFieldType	= ncl:chiName	一般性資料	= ncl:engName	General Processing Data	xsd:attribute		<table border="1"> <tr> <td>= name</td> <td>ind1</td> </tr> <tr> <td>= use</td> <td>required</td> </tr> <tr> <td>= fixed</td> <td></td> </tr> </table>	= name	ind1	= use	required	= fixed		xsd:attribute		<table border="1"> <tr> <td>= name</td> <td>ind2</td> </tr> <tr> <td>= use</td> <td>required</td> </tr> <tr> <td>= fixed</td> <td></td> </tr> </table>	= name	ind2	= use	required	= fixed		<table border="1"> <tr> <td colspan="2">xsd:simpleType</td> <td> <table border="1"> <tr> <td>= name</td> <td>tag100aFieldType</td> </tr> <tr> <td colspan="2">xsd:restriction</td> <td> <table border="1"> <tr> <td>= base</td> <td>xsd:string</td> </tr> <tr> <td colspan="2">xsd:length</td> <td> <table border="1"> <tr> <td>= value</td> <td>35</td> </tr> </table> </td> </tr> <tr> <td colspan="2">xsd:whiteSpace</td> <td> <table border="1"> <tr> <td>= value</td> <td>preserve</td> </tr> </table> </td> </tr> <tr> <td colspan="2">xsd:pattern</td> <td> <table border="1"> <tr> <td>= value</td> <td>[\d]{8}[a-gy]{1}[\d]{4}[\d]{4}[a-zA-z]{3}[a-huyz]{1}(01)[a-z]{3}(a b c y)(01 02 03 04 05 06 09)[\da-zA-Z]{4}[a-lz]{1}</td> </tr> </table> </td> </tr> </table> </td> </tr> </table> </td> </tr> <tr> <td colspan="3"> <table border="1"> <tr> <td colspan="2">xsd:complexType</td> <td> <table border="1"> <tr> <td>= name</td> <td>tag101Type</td> </tr> <tr> <td>= id</td> <td>101Type</td> </tr> <tr> <td colspan="2">xsd:sequence</td> <td> <table border="1"> <tr> <td colspan="2">xsd:element</td> <td> <table border="1"> <tr> <td>= name</td> <td>_a</td> </tr> <tr> <td>= minOccurs</td> <td>0</td> </tr> <tr> <td>= maxOccurs</td> <td>unbounded</td> </tr> <tr> <td>= ncl:chiName</td> <td>正文語文</td> </tr> <tr> <td>= ncl:engName</td> <td>Language of Text</td> </tr> </table> </td> </tr> <tr> <td colspan="2">xsd:element</td> <td> <table border="1"> <tr> <td>= name</td> <td>_b</td> </tr> <tr> <td>= minOccurs</td> <td>0</td> </tr> <tr> <td>= maxOccurs</td> <td>unbounded</td> </tr> <tr> <td>= ncl:chiName</td> <td>據以翻譯之譯文語文</td> </tr> <tr> <td>= ncl:engName</td> <td>Language of Intermediate Text when Item is Not Translated from Original</td> </tr> </table> </td> </tr> <tr> <td colspan="2">xsd:element</td> <td> <table border="1"> <tr> <td>= name</td> <td>_c</td> </tr> <tr> <td>= minOccurs</td> <td>0</td> </tr> <tr> <td>= maxOccurs</td> <td>unbounded</td> </tr> <tr> <td>= ncl:chiName</td> <td>原文</td> </tr> <tr> <td>= ncl:engName</td> <td>Language of Original Work</td> </tr> </table> </td> </tr> <tr> <td colspan="2">xsd:element</td> <td> <table border="1"> <tr> <td>= name</td> <td>_d</td> </tr> <tr> <td>= minOccurs</td> <td>0</td> </tr> <tr> <td>= maxOccurs</td> <td>unbounded</td> </tr> <tr> <td>= ncl:chiName</td> <td>提要語文</td> </tr> <tr> <td>= ncl:engName</td> <td>Language of Summary</td> </tr> </table> </td> </tr> <tr> <td colspan="2">xsd:element</td> <td> <table border="1"> <tr> <td>= name</td> <td>_e</td> </tr> <tr> <td>= minOccurs</td> <td>0</td> </tr> </table> </td> </tr> </table> </td> </tr> </table> </td> </tr> </table> </td></tr></table>			xsd:simpleType		<table border="1"> <tr> <td>= name</td> <td>tag100aFieldType</td> </tr> <tr> <td colspan="2">xsd:restriction</td> <td> <table border="1"> <tr> <td>= base</td> <td>xsd:string</td> </tr> <tr> <td colspan="2">xsd:length</td> <td> <table border="1"> <tr> <td>= value</td> <td>35</td> </tr> </table> </td> </tr> <tr> <td colspan="2">xsd:whiteSpace</td> <td> <table border="1"> <tr> <td>= value</td> <td>preserve</td> </tr> </table> </td> </tr> <tr> <td colspan="2">xsd:pattern</td> <td> <table border="1"> <tr> <td>= value</td> <td>[\d]{8}[a-gy]{1}[\d]{4}[\d]{4}[a-zA-z]{3}[a-huyz]{1}(01)[a-z]{3}(a b c y)(01 02 03 04 05 06 09)[\da-zA-Z]{4}[a-lz]{1}</td> </tr> </table> </td> </tr> </table> </td> </tr> </table>	= name	tag100aFieldType	xsd:restriction		<table border="1"> <tr> <td>= base</td> <td>xsd:string</td> </tr> <tr> <td colspan="2">xsd:length</td> <td> <table border="1"> <tr> <td>= value</td> <td>35</td> </tr> </table> </td> </tr> <tr> <td colspan="2">xsd:whiteSpace</td> <td> <table border="1"> <tr> <td>= value</td> <td>preserve</td> </tr> </table> </td> </tr> <tr> <td colspan="2">xsd:pattern</td> <td> <table border="1"> <tr> <td>= value</td> <td>[\d]{8}[a-gy]{1}[\d]{4}[\d]{4}[a-zA-z]{3}[a-huyz]{1}(01)[a-z]{3}(a b c y)(01 02 03 04 05 06 09)[\da-zA-Z]{4}[a-lz]{1}</td> </tr> </table> </td> </tr> </table>	= base	xsd:string	xsd:length		<table border="1"> <tr> <td>= value</td> <td>35</td> </tr> </table>	= value	35	xsd:whiteSpace		<table border="1"> <tr> <td>= value</td> <td>preserve</td> </tr> </table>	= value	preserve	xsd:pattern		<table border="1"> <tr> <td>= value</td> <td>[\d]{8}[a-gy]{1}[\d]{4}[\d]{4}[a-zA-z]{3}[a-huyz]{1}(01)[a-z]{3}(a b c y)(01 02 03 04 05 06 09)[\da-zA-Z]{4}[a-lz]{1}</td> </tr> </table>	= value	[\d]{8}[a-gy]{1}[\d]{4}[\d]{4}[a-zA-z]{3}[a-huyz]{1}(01)[a-z]{3}(a b c y)(01 02 03 04 05 06 09)[\da-zA-Z]{4}[a-lz]{1}	<table border="1"> <tr> <td colspan="2">xsd:complexType</td> <td> <table border="1"> <tr> <td>= name</td> <td>tag101Type</td> </tr> <tr> <td>= id</td> <td>101Type</td> </tr> <tr> <td colspan="2">xsd:sequence</td> <td> <table border="1"> <tr> <td colspan="2">xsd:element</td> <td> <table border="1"> <tr> <td>= name</td> <td>_a</td> </tr> <tr> <td>= minOccurs</td> <td>0</td> </tr> <tr> <td>= maxOccurs</td> <td>unbounded</td> </tr> <tr> <td>= ncl:chiName</td> <td>正文語文</td> </tr> <tr> <td>= ncl:engName</td> <td>Language of Text</td> </tr> </table> </td> </tr> <tr> <td colspan="2">xsd:element</td> <td> <table border="1"> <tr> <td>= name</td> <td>_b</td> </tr> <tr> <td>= minOccurs</td> <td>0</td> </tr> <tr> <td>= maxOccurs</td> <td>unbounded</td> </tr> <tr> <td>= ncl:chiName</td> <td>據以翻譯之譯文語文</td> </tr> <tr> <td>= ncl:engName</td> <td>Language of Intermediate Text when Item is Not Translated from Original</td> </tr> </table> </td> </tr> <tr> <td colspan="2">xsd:element</td> <td> <table border="1"> <tr> <td>= name</td> <td>_c</td> </tr> <tr> <td>= minOccurs</td> <td>0</td> </tr> <tr> <td>= maxOccurs</td> <td>unbounded</td> </tr> <tr> <td>= ncl:chiName</td> <td>原文</td> </tr> <tr> <td>= ncl:engName</td> <td>Language of Original Work</td> </tr> </table> </td> </tr> <tr> <td colspan="2">xsd:element</td> <td> <table border="1"> <tr> <td>= name</td> <td>_d</td> </tr> <tr> <td>= minOccurs</td> <td>0</td> </tr> <tr> <td>= maxOccurs</td> <td>unbounded</td> </tr> <tr> <td>= ncl:chiName</td> <td>提要語文</td> </tr> <tr> <td>= ncl:engName</td> <td>Language of Summary</td> </tr> </table> </td> </tr> <tr> <td colspan="2">xsd:element</td> <td> <table border="1"> <tr> <td>= name</td> <td>_e</td> </tr> <tr> <td>= minOccurs</td> <td>0</td> </tr> </table> </td> </tr> </table> </td> </tr> </table> </td> </tr> </table>			xsd:complexType		<table border="1"> <tr> <td>= name</td> <td>tag101Type</td> </tr> <tr> <td>= id</td> <td>101Type</td> </tr> <tr> <td colspan="2">xsd:sequence</td> <td> <table border="1"> <tr> <td colspan="2">xsd:element</td> <td> <table border="1"> <tr> <td>= name</td> <td>_a</td> </tr> <tr> <td>= minOccurs</td> <td>0</td> </tr> <tr> <td>= maxOccurs</td> <td>unbounded</td> </tr> <tr> <td>= ncl:chiName</td> <td>正文語文</td> </tr> <tr> <td>= ncl:engName</td> <td>Language of Text</td> </tr> </table> </td> </tr> <tr> <td colspan="2">xsd:element</td> <td> <table border="1"> <tr> <td>= name</td> <td>_b</td> </tr> <tr> <td>= minOccurs</td> <td>0</td> </tr> <tr> <td>= maxOccurs</td> <td>unbounded</td> </tr> <tr> <td>= ncl:chiName</td> <td>據以翻譯之譯文語文</td> </tr> <tr> <td>= ncl:engName</td> <td>Language of Intermediate Text when Item is Not Translated from Original</td> </tr> </table> </td> </tr> <tr> <td colspan="2">xsd:element</td> <td> <table border="1"> <tr> <td>= name</td> <td>_c</td> </tr> <tr> <td>= minOccurs</td> <td>0</td> </tr> <tr> <td>= maxOccurs</td> <td>unbounded</td> </tr> <tr> <td>= ncl:chiName</td> <td>原文</td> </tr> <tr> <td>= ncl:engName</td> <td>Language of Original Work</td> </tr> </table> </td> </tr> <tr> <td colspan="2">xsd:element</td> <td> <table border="1"> <tr> <td>= name</td> <td>_d</td> </tr> <tr> <td>= minOccurs</td> <td>0</td> </tr> <tr> <td>= maxOccurs</td> <td>unbounded</td> </tr> <tr> <td>= ncl:chiName</td> <td>提要語文</td> </tr> <tr> <td>= ncl:engName</td> <td>Language of Summary</td> </tr> </table> </td> </tr> <tr> <td colspan="2">xsd:element</td> <td> <table border="1"> <tr> <td>= name</td> <td>_e</td> </tr> <tr> <td>= minOccurs</td> <td>0</td> </tr> </table> </td> </tr> </table> </td> </tr> </table>	= name	tag101Type	= id	101Type	xsd:sequence		<table border="1"> <tr> <td colspan="2">xsd:element</td> <td> <table border="1"> <tr> <td>= name</td> <td>_a</td> </tr> <tr> <td>= minOccurs</td> <td>0</td> </tr> <tr> <td>= maxOccurs</td> <td>unbounded</td> </tr> <tr> <td>= ncl:chiName</td> <td>正文語文</td> </tr> <tr> <td>= ncl:engName</td> <td>Language of Text</td> </tr> </table> </td> </tr> <tr> <td colspan="2">xsd:element</td> <td> <table border="1"> <tr> <td>= name</td> <td>_b</td> </tr> <tr> <td>= minOccurs</td> <td>0</td> </tr> <tr> <td>= maxOccurs</td> <td>unbounded</td> </tr> <tr> <td>= ncl:chiName</td> <td>據以翻譯之譯文語文</td> </tr> <tr> <td>= ncl:engName</td> <td>Language of Intermediate Text when Item is Not Translated from Original</td> </tr> </table> </td> </tr> <tr> <td colspan="2">xsd:element</td> <td> <table border="1"> <tr> <td>= name</td> <td>_c</td> </tr> <tr> <td>= minOccurs</td> <td>0</td> </tr> <tr> <td>= maxOccurs</td> <td>unbounded</td> </tr> <tr> <td>= ncl:chiName</td> <td>原文</td> </tr> <tr> <td>= ncl:engName</td> <td>Language of Original Work</td> </tr> </table> </td> </tr> <tr> <td colspan="2">xsd:element</td> <td> <table border="1"> <tr> <td>= name</td> <td>_d</td> </tr> <tr> <td>= minOccurs</td> <td>0</td> </tr> <tr> <td>= maxOccurs</td> <td>unbounded</td> </tr> <tr> <td>= ncl:chiName</td> <td>提要語文</td> </tr> <tr> <td>= ncl:engName</td> <td>Language of Summary</td> </tr> </table> </td> </tr> <tr> <td colspan="2">xsd:element</td> <td> <table border="1"> <tr> <td>= name</td> <td>_e</td> </tr> <tr> <td>= minOccurs</td> <td>0</td> </tr> </table> </td> </tr> </table>	xsd:element		<table border="1"> <tr> <td>= name</td> <td>_a</td> </tr> <tr> <td>= minOccurs</td> <td>0</td> </tr> <tr> <td>= maxOccurs</td> <td>unbounded</td> </tr> <tr> <td>= ncl:chiName</td> <td>正文語文</td> </tr> <tr> <td>= ncl:engName</td> <td>Language of Text</td> </tr> </table>	= name	_a	= minOccurs	0	= maxOccurs	unbounded	= ncl:chiName	正文語文	= ncl:engName	Language of Text	xsd:element		<table border="1"> <tr> <td>= name</td> <td>_b</td> </tr> <tr> <td>= minOccurs</td> <td>0</td> </tr> <tr> <td>= maxOccurs</td> <td>unbounded</td> </tr> <tr> <td>= ncl:chiName</td> <td>據以翻譯之譯文語文</td> </tr> <tr> <td>= ncl:engName</td> <td>Language of Intermediate Text when Item is Not Translated from Original</td> </tr> </table>	= name	_b	= minOccurs	0	= maxOccurs	unbounded	= ncl:chiName	據以翻譯之譯文語文	= ncl:engName	Language of Intermediate Text when Item is Not Translated from Original	xsd:element		<table border="1"> <tr> <td>= name</td> <td>_c</td> </tr> <tr> <td>= minOccurs</td> <td>0</td> </tr> <tr> <td>= maxOccurs</td> <td>unbounded</td> </tr> <tr> <td>= ncl:chiName</td> <td>原文</td> </tr> <tr> <td>= ncl:engName</td> <td>Language of Original Work</td> </tr> </table>	= name	_c	= minOccurs	0	= maxOccurs	unbounded	= ncl:chiName	原文	= ncl:engName	Language of Original Work	xsd:element		<table border="1"> <tr> <td>= name</td> <td>_d</td> </tr> <tr> <td>= minOccurs</td> <td>0</td> </tr> <tr> <td>= maxOccurs</td> <td>unbounded</td> </tr> <tr> <td>= ncl:chiName</td> <td>提要語文</td> </tr> <tr> <td>= ncl:engName</td> <td>Language of Summary</td> </tr> </table>	= name	_d	= minOccurs	0	= maxOccurs	unbounded	= ncl:chiName	提要語文	= ncl:engName	Language of Summary	xsd:element		<table border="1"> <tr> <td>= name</td> <td>_e</td> </tr> <tr> <td>= minOccurs</td> <td>0</td> </tr> </table>	= name	_e	= minOccurs	0
xsd:sequence		<table border="1"> <tr> <td colspan="2">xsd:element</td> <td> <table border="1"> <tr> <td>= name</td> <td>_a</td> </tr> <tr> <td>= type</td> <td>tag100aFieldType</td> </tr> <tr> <td>= ncl:chiName</td> <td>一般性資料</td> </tr> <tr> <td>= ncl:engName</td> <td>General Processing Data</td> </tr> </table> </td> </tr> <tr> <td colspan="2">xsd:attribute</td> <td> <table border="1"> <tr> <td>= name</td> <td>ind1</td> </tr> <tr> <td>= use</td> <td>required</td> </tr> <tr> <td>= fixed</td> <td></td> </tr> </table> </td> </tr> <tr> <td colspan="2">xsd:attribute</td> <td> <table border="1"> <tr> <td>= name</td> <td>ind2</td> </tr> <tr> <td>= use</td> <td>required</td> </tr> <tr> <td>= fixed</td> <td></td> </tr> </table> </td> </tr> </table>	xsd:element		<table border="1"> <tr> <td>= name</td> <td>_a</td> </tr> <tr> <td>= type</td> <td>tag100aFieldType</td> </tr> <tr> <td>= ncl:chiName</td> <td>一般性資料</td> </tr> <tr> <td>= ncl:engName</td> <td>General Processing Data</td> </tr> </table>	= name	_a	= type	tag100aFieldType	= ncl:chiName	一般性資料	= ncl:engName	General Processing Data	xsd:attribute		<table border="1"> <tr> <td>= name</td> <td>ind1</td> </tr> <tr> <td>= use</td> <td>required</td> </tr> <tr> <td>= fixed</td> <td></td> </tr> </table>	= name	ind1	= use	required	= fixed		xsd:attribute		<table border="1"> <tr> <td>= name</td> <td>ind2</td> </tr> <tr> <td>= use</td> <td>required</td> </tr> <tr> <td>= fixed</td> <td></td> </tr> </table>	= name	ind2	= use	required	= fixed																																																																																																								
xsd:element		<table border="1"> <tr> <td>= name</td> <td>_a</td> </tr> <tr> <td>= type</td> <td>tag100aFieldType</td> </tr> <tr> <td>= ncl:chiName</td> <td>一般性資料</td> </tr> <tr> <td>= ncl:engName</td> <td>General Processing Data</td> </tr> </table>	= name	_a	= type	tag100aFieldType	= ncl:chiName	一般性資料	= ncl:engName	General Processing Data																																																																																																																												
= name	_a																																																																																																																																					
= type	tag100aFieldType																																																																																																																																					
= ncl:chiName	一般性資料																																																																																																																																					
= ncl:engName	General Processing Data																																																																																																																																					
xsd:attribute		<table border="1"> <tr> <td>= name</td> <td>ind1</td> </tr> <tr> <td>= use</td> <td>required</td> </tr> <tr> <td>= fixed</td> <td></td> </tr> </table>	= name	ind1	= use	required	= fixed																																																																																																																															
= name	ind1																																																																																																																																					
= use	required																																																																																																																																					
= fixed																																																																																																																																						
xsd:attribute		<table border="1"> <tr> <td>= name</td> <td>ind2</td> </tr> <tr> <td>= use</td> <td>required</td> </tr> <tr> <td>= fixed</td> <td></td> </tr> </table>	= name	ind2	= use	required	= fixed																																																																																																																															
= name	ind2																																																																																																																																					
= use	required																																																																																																																																					
= fixed																																																																																																																																						
<table border="1"> <tr> <td colspan="2">xsd:simpleType</td> <td> <table border="1"> <tr> <td>= name</td> <td>tag100aFieldType</td> </tr> <tr> <td colspan="2">xsd:restriction</td> <td> <table border="1"> <tr> <td>= base</td> <td>xsd:string</td> </tr> <tr> <td colspan="2">xsd:length</td> <td> <table border="1"> <tr> <td>= value</td> <td>35</td> </tr> </table> </td> </tr> <tr> <td colspan="2">xsd:whiteSpace</td> <td> <table border="1"> <tr> <td>= value</td> <td>preserve</td> </tr> </table> </td> </tr> <tr> <td colspan="2">xsd:pattern</td> <td> <table border="1"> <tr> <td>= value</td> <td>[\d]{8}[a-gy]{1}[\d]{4}[\d]{4}[a-zA-z]{3}[a-huyz]{1}(01)[a-z]{3}(a b c y)(01 02 03 04 05 06 09)[\da-zA-Z]{4}[a-lz]{1}</td> </tr> </table> </td> </tr> </table> </td> </tr> </table> </td> </tr> <tr> <td colspan="3"> <table border="1"> <tr> <td colspan="2">xsd:complexType</td> <td> <table border="1"> <tr> <td>= name</td> <td>tag101Type</td> </tr> <tr> <td>= id</td> <td>101Type</td> </tr> <tr> <td colspan="2">xsd:sequence</td> <td> <table border="1"> <tr> <td colspan="2">xsd:element</td> <td> <table border="1"> <tr> <td>= name</td> <td>_a</td> </tr> <tr> <td>= minOccurs</td> <td>0</td> </tr> <tr> <td>= maxOccurs</td> <td>unbounded</td> </tr> <tr> <td>= ncl:chiName</td> <td>正文語文</td> </tr> <tr> <td>= ncl:engName</td> <td>Language of Text</td> </tr> </table> </td> </tr> <tr> <td colspan="2">xsd:element</td> <td> <table border="1"> <tr> <td>= name</td> <td>_b</td> </tr> <tr> <td>= minOccurs</td> <td>0</td> </tr> <tr> <td>= maxOccurs</td> <td>unbounded</td> </tr> <tr> <td>= ncl:chiName</td> <td>據以翻譯之譯文語文</td> </tr> <tr> <td>= ncl:engName</td> <td>Language of Intermediate Text when Item is Not Translated from Original</td> </tr> </table> </td> </tr> <tr> <td colspan="2">xsd:element</td> <td> <table border="1"> <tr> <td>= name</td> <td>_c</td> </tr> <tr> <td>= minOccurs</td> <td>0</td> </tr> <tr> <td>= maxOccurs</td> <td>unbounded</td> </tr> <tr> <td>= ncl:chiName</td> <td>原文</td> </tr> <tr> <td>= ncl:engName</td> <td>Language of Original Work</td> </tr> </table> </td> </tr> <tr> <td colspan="2">xsd:element</td> <td> <table border="1"> <tr> <td>= name</td> <td>_d</td> </tr> <tr> <td>= minOccurs</td> <td>0</td> </tr> <tr> <td>= maxOccurs</td> <td>unbounded</td> </tr> <tr> <td>= ncl:chiName</td> <td>提要語文</td> </tr> <tr> <td>= ncl:engName</td> <td>Language of Summary</td> </tr> </table> </td> </tr> <tr> <td colspan="2">xsd:element</td> <td> <table border="1"> <tr> <td>= name</td> <td>_e</td> </tr> <tr> <td>= minOccurs</td> <td>0</td> </tr> </table> </td> </tr> </table> </td> </tr> </table> </td> </tr> </table> </td></tr></table>			xsd:simpleType		<table border="1"> <tr> <td>= name</td> <td>tag100aFieldType</td> </tr> <tr> <td colspan="2">xsd:restriction</td> <td> <table border="1"> <tr> <td>= base</td> <td>xsd:string</td> </tr> <tr> <td colspan="2">xsd:length</td> <td> <table border="1"> <tr> <td>= value</td> <td>35</td> </tr> </table> </td> </tr> <tr> <td colspan="2">xsd:whiteSpace</td> <td> <table border="1"> <tr> <td>= value</td> <td>preserve</td> </tr> </table> </td> </tr> <tr> <td colspan="2">xsd:pattern</td> <td> <table border="1"> <tr> <td>= value</td> <td>[\d]{8}[a-gy]{1}[\d]{4}[\d]{4}[a-zA-z]{3}[a-huyz]{1}(01)[a-z]{3}(a b c y)(01 02 03 04 05 06 09)[\da-zA-Z]{4}[a-lz]{1}</td> </tr> </table> </td> </tr> </table> </td> </tr> </table>	= name	tag100aFieldType	xsd:restriction		<table border="1"> <tr> <td>= base</td> <td>xsd:string</td> </tr> <tr> <td colspan="2">xsd:length</td> <td> <table border="1"> <tr> <td>= value</td> <td>35</td> </tr> </table> </td> </tr> <tr> <td colspan="2">xsd:whiteSpace</td> <td> <table border="1"> <tr> <td>= value</td> <td>preserve</td> </tr> </table> </td> </tr> <tr> <td colspan="2">xsd:pattern</td> <td> <table border="1"> <tr> <td>= value</td> <td>[\d]{8}[a-gy]{1}[\d]{4}[\d]{4}[a-zA-z]{3}[a-huyz]{1}(01)[a-z]{3}(a b c y)(01 02 03 04 05 06 09)[\da-zA-Z]{4}[a-lz]{1}</td> </tr> </table> </td> </tr> </table>	= base	xsd:string	xsd:length		<table border="1"> <tr> <td>= value</td> <td>35</td> </tr> </table>	= value	35	xsd:whiteSpace		<table border="1"> <tr> <td>= value</td> <td>preserve</td> </tr> </table>	= value	preserve	xsd:pattern		<table border="1"> <tr> <td>= value</td> <td>[\d]{8}[a-gy]{1}[\d]{4}[\d]{4}[a-zA-z]{3}[a-huyz]{1}(01)[a-z]{3}(a b c y)(01 02 03 04 05 06 09)[\da-zA-Z]{4}[a-lz]{1}</td> </tr> </table>	= value	[\d]{8}[a-gy]{1}[\d]{4}[\d]{4}[a-zA-z]{3}[a-huyz]{1}(01)[a-z]{3}(a b c y)(01 02 03 04 05 06 09)[\da-zA-Z]{4}[a-lz]{1}	<table border="1"> <tr> <td colspan="2">xsd:complexType</td> <td> <table border="1"> <tr> <td>= name</td> <td>tag101Type</td> </tr> <tr> <td>= id</td> <td>101Type</td> </tr> <tr> <td colspan="2">xsd:sequence</td> <td> <table border="1"> <tr> <td colspan="2">xsd:element</td> <td> <table border="1"> <tr> <td>= name</td> <td>_a</td> </tr> <tr> <td>= minOccurs</td> <td>0</td> </tr> <tr> <td>= maxOccurs</td> <td>unbounded</td> </tr> <tr> <td>= ncl:chiName</td> <td>正文語文</td> </tr> <tr> <td>= ncl:engName</td> <td>Language of Text</td> </tr> </table> </td> </tr> <tr> <td colspan="2">xsd:element</td> <td> <table border="1"> <tr> <td>= name</td> <td>_b</td> </tr> <tr> <td>= minOccurs</td> <td>0</td> </tr> <tr> <td>= maxOccurs</td> <td>unbounded</td> </tr> <tr> <td>= ncl:chiName</td> <td>據以翻譯之譯文語文</td> </tr> <tr> <td>= ncl:engName</td> <td>Language of Intermediate Text when Item is Not Translated from Original</td> </tr> </table> </td> </tr> <tr> <td colspan="2">xsd:element</td> <td> <table border="1"> <tr> <td>= name</td> <td>_c</td> </tr> <tr> <td>= minOccurs</td> <td>0</td> </tr> <tr> <td>= maxOccurs</td> <td>unbounded</td> </tr> <tr> <td>= ncl:chiName</td> <td>原文</td> </tr> <tr> <td>= ncl:engName</td> <td>Language of Original Work</td> </tr> </table> </td> </tr> <tr> <td colspan="2">xsd:element</td> <td> <table border="1"> <tr> <td>= name</td> <td>_d</td> </tr> <tr> <td>= minOccurs</td> <td>0</td> </tr> <tr> <td>= maxOccurs</td> <td>unbounded</td> </tr> <tr> <td>= ncl:chiName</td> <td>提要語文</td> </tr> <tr> <td>= ncl:engName</td> <td>Language of Summary</td> </tr> </table> </td> </tr> <tr> <td colspan="2">xsd:element</td> <td> <table border="1"> <tr> <td>= name</td> <td>_e</td> </tr> <tr> <td>= minOccurs</td> <td>0</td> </tr> </table> </td> </tr> </table> </td> </tr> </table> </td> </tr> </table>			xsd:complexType		<table border="1"> <tr> <td>= name</td> <td>tag101Type</td> </tr> <tr> <td>= id</td> <td>101Type</td> </tr> <tr> <td colspan="2">xsd:sequence</td> <td> <table border="1"> <tr> <td colspan="2">xsd:element</td> <td> <table border="1"> <tr> <td>= name</td> <td>_a</td> </tr> <tr> <td>= minOccurs</td> <td>0</td> </tr> <tr> <td>= maxOccurs</td> <td>unbounded</td> </tr> <tr> <td>= ncl:chiName</td> <td>正文語文</td> </tr> <tr> <td>= ncl:engName</td> <td>Language of Text</td> </tr> </table> </td> </tr> <tr> <td colspan="2">xsd:element</td> <td> <table border="1"> <tr> <td>= name</td> <td>_b</td> </tr> <tr> <td>= minOccurs</td> <td>0</td> </tr> <tr> <td>= maxOccurs</td> <td>unbounded</td> </tr> <tr> <td>= ncl:chiName</td> <td>據以翻譯之譯文語文</td> </tr> <tr> <td>= ncl:engName</td> <td>Language of Intermediate Text when Item is Not Translated from Original</td> </tr> </table> </td> </tr> <tr> <td colspan="2">xsd:element</td> <td> <table border="1"> <tr> <td>= name</td> <td>_c</td> </tr> <tr> <td>= minOccurs</td> <td>0</td> </tr> <tr> <td>= maxOccurs</td> <td>unbounded</td> </tr> <tr> <td>= ncl:chiName</td> <td>原文</td> </tr> <tr> <td>= ncl:engName</td> <td>Language of Original Work</td> </tr> </table> </td> </tr> <tr> <td colspan="2">xsd:element</td> <td> <table border="1"> <tr> <td>= name</td> <td>_d</td> </tr> <tr> <td>= minOccurs</td> <td>0</td> </tr> <tr> <td>= maxOccurs</td> <td>unbounded</td> </tr> <tr> <td>= ncl:chiName</td> <td>提要語文</td> </tr> <tr> <td>= ncl:engName</td> <td>Language of Summary</td> </tr> </table> </td> </tr> <tr> <td colspan="2">xsd:element</td> <td> <table border="1"> <tr> <td>= name</td> <td>_e</td> </tr> <tr> <td>= minOccurs</td> <td>0</td> </tr> </table> </td> </tr> </table> </td> </tr> </table>	= name	tag101Type	= id	101Type	xsd:sequence		<table border="1"> <tr> <td colspan="2">xsd:element</td> <td> <table border="1"> <tr> <td>= name</td> <td>_a</td> </tr> <tr> <td>= minOccurs</td> <td>0</td> </tr> <tr> <td>= maxOccurs</td> <td>unbounded</td> </tr> <tr> <td>= ncl:chiName</td> <td>正文語文</td> </tr> <tr> <td>= ncl:engName</td> <td>Language of Text</td> </tr> </table> </td> </tr> <tr> <td colspan="2">xsd:element</td> <td> <table border="1"> <tr> <td>= name</td> <td>_b</td> </tr> <tr> <td>= minOccurs</td> <td>0</td> </tr> <tr> <td>= maxOccurs</td> <td>unbounded</td> </tr> <tr> <td>= ncl:chiName</td> <td>據以翻譯之譯文語文</td> </tr> <tr> <td>= ncl:engName</td> <td>Language of Intermediate Text when Item is Not Translated from Original</td> </tr> </table> </td> </tr> <tr> <td colspan="2">xsd:element</td> <td> <table border="1"> <tr> <td>= name</td> <td>_c</td> </tr> <tr> <td>= minOccurs</td> <td>0</td> </tr> <tr> <td>= maxOccurs</td> <td>unbounded</td> </tr> <tr> <td>= ncl:chiName</td> <td>原文</td> </tr> <tr> <td>= ncl:engName</td> <td>Language of Original Work</td> </tr> </table> </td> </tr> <tr> <td colspan="2">xsd:element</td> <td> <table border="1"> <tr> <td>= name</td> <td>_d</td> </tr> <tr> <td>= minOccurs</td> <td>0</td> </tr> <tr> <td>= maxOccurs</td> <td>unbounded</td> </tr> <tr> <td>= ncl:chiName</td> <td>提要語文</td> </tr> <tr> <td>= ncl:engName</td> <td>Language of Summary</td> </tr> </table> </td> </tr> <tr> <td colspan="2">xsd:element</td> <td> <table border="1"> <tr> <td>= name</td> <td>_e</td> </tr> <tr> <td>= minOccurs</td> <td>0</td> </tr> </table> </td> </tr> </table>	xsd:element		<table border="1"> <tr> <td>= name</td> <td>_a</td> </tr> <tr> <td>= minOccurs</td> <td>0</td> </tr> <tr> <td>= maxOccurs</td> <td>unbounded</td> </tr> <tr> <td>= ncl:chiName</td> <td>正文語文</td> </tr> <tr> <td>= ncl:engName</td> <td>Language of Text</td> </tr> </table>	= name	_a	= minOccurs	0	= maxOccurs	unbounded	= ncl:chiName	正文語文	= ncl:engName	Language of Text	xsd:element		<table border="1"> <tr> <td>= name</td> <td>_b</td> </tr> <tr> <td>= minOccurs</td> <td>0</td> </tr> <tr> <td>= maxOccurs</td> <td>unbounded</td> </tr> <tr> <td>= ncl:chiName</td> <td>據以翻譯之譯文語文</td> </tr> <tr> <td>= ncl:engName</td> <td>Language of Intermediate Text when Item is Not Translated from Original</td> </tr> </table>	= name	_b	= minOccurs	0	= maxOccurs	unbounded	= ncl:chiName	據以翻譯之譯文語文	= ncl:engName	Language of Intermediate Text when Item is Not Translated from Original	xsd:element		<table border="1"> <tr> <td>= name</td> <td>_c</td> </tr> <tr> <td>= minOccurs</td> <td>0</td> </tr> <tr> <td>= maxOccurs</td> <td>unbounded</td> </tr> <tr> <td>= ncl:chiName</td> <td>原文</td> </tr> <tr> <td>= ncl:engName</td> <td>Language of Original Work</td> </tr> </table>	= name	_c	= minOccurs	0	= maxOccurs	unbounded	= ncl:chiName	原文	= ncl:engName	Language of Original Work	xsd:element		<table border="1"> <tr> <td>= name</td> <td>_d</td> </tr> <tr> <td>= minOccurs</td> <td>0</td> </tr> <tr> <td>= maxOccurs</td> <td>unbounded</td> </tr> <tr> <td>= ncl:chiName</td> <td>提要語文</td> </tr> <tr> <td>= ncl:engName</td> <td>Language of Summary</td> </tr> </table>	= name	_d	= minOccurs	0	= maxOccurs	unbounded	= ncl:chiName	提要語文	= ncl:engName	Language of Summary	xsd:element		<table border="1"> <tr> <td>= name</td> <td>_e</td> </tr> <tr> <td>= minOccurs</td> <td>0</td> </tr> </table>	= name	_e	= minOccurs	0																																			
xsd:simpleType		<table border="1"> <tr> <td>= name</td> <td>tag100aFieldType</td> </tr> <tr> <td colspan="2">xsd:restriction</td> <td> <table border="1"> <tr> <td>= base</td> <td>xsd:string</td> </tr> <tr> <td colspan="2">xsd:length</td> <td> <table border="1"> <tr> <td>= value</td> <td>35</td> </tr> </table> </td> </tr> <tr> <td colspan="2">xsd:whiteSpace</td> <td> <table border="1"> <tr> <td>= value</td> <td>preserve</td> </tr> </table> </td> </tr> <tr> <td colspan="2">xsd:pattern</td> <td> <table border="1"> <tr> <td>= value</td> <td>[\d]{8}[a-gy]{1}[\d]{4}[\d]{4}[a-zA-z]{3}[a-huyz]{1}(01)[a-z]{3}(a b c y)(01 02 03 04 05 06 09)[\da-zA-Z]{4}[a-lz]{1}</td> </tr> </table> </td> </tr> </table> </td> </tr> </table>	= name	tag100aFieldType	xsd:restriction		<table border="1"> <tr> <td>= base</td> <td>xsd:string</td> </tr> <tr> <td colspan="2">xsd:length</td> <td> <table border="1"> <tr> <td>= value</td> <td>35</td> </tr> </table> </td> </tr> <tr> <td colspan="2">xsd:whiteSpace</td> <td> <table border="1"> <tr> <td>= value</td> <td>preserve</td> </tr> </table> </td> </tr> <tr> <td colspan="2">xsd:pattern</td> <td> <table border="1"> <tr> <td>= value</td> <td>[\d]{8}[a-gy]{1}[\d]{4}[\d]{4}[a-zA-z]{3}[a-huyz]{1}(01)[a-z]{3}(a b c y)(01 02 03 04 05 06 09)[\da-zA-Z]{4}[a-lz]{1}</td> </tr> </table> </td> </tr> </table>	= base	xsd:string	xsd:length		<table border="1"> <tr> <td>= value</td> <td>35</td> </tr> </table>	= value	35	xsd:whiteSpace		<table border="1"> <tr> <td>= value</td> <td>preserve</td> </tr> </table>	= value	preserve	xsd:pattern		<table border="1"> <tr> <td>= value</td> <td>[\d]{8}[a-gy]{1}[\d]{4}[\d]{4}[a-zA-z]{3}[a-huyz]{1}(01)[a-z]{3}(a b c y)(01 02 03 04 05 06 09)[\da-zA-Z]{4}[a-lz]{1}</td> </tr> </table>	= value	[\d]{8}[a-gy]{1}[\d]{4}[\d]{4}[a-zA-z]{3}[a-huyz]{1}(01)[a-z]{3}(a b c y)(01 02 03 04 05 06 09)[\da-zA-Z]{4}[a-lz]{1}																																																																																																														
= name	tag100aFieldType																																																																																																																																					
xsd:restriction		<table border="1"> <tr> <td>= base</td> <td>xsd:string</td> </tr> <tr> <td colspan="2">xsd:length</td> <td> <table border="1"> <tr> <td>= value</td> <td>35</td> </tr> </table> </td> </tr> <tr> <td colspan="2">xsd:whiteSpace</td> <td> <table border="1"> <tr> <td>= value</td> <td>preserve</td> </tr> </table> </td> </tr> <tr> <td colspan="2">xsd:pattern</td> <td> <table border="1"> <tr> <td>= value</td> <td>[\d]{8}[a-gy]{1}[\d]{4}[\d]{4}[a-zA-z]{3}[a-huyz]{1}(01)[a-z]{3}(a b c y)(01 02 03 04 05 06 09)[\da-zA-Z]{4}[a-lz]{1}</td> </tr> </table> </td> </tr> </table>	= base	xsd:string	xsd:length		<table border="1"> <tr> <td>= value</td> <td>35</td> </tr> </table>	= value	35	xsd:whiteSpace		<table border="1"> <tr> <td>= value</td> <td>preserve</td> </tr> </table>	= value	preserve	xsd:pattern		<table border="1"> <tr> <td>= value</td> <td>[\d]{8}[a-gy]{1}[\d]{4}[\d]{4}[a-zA-z]{3}[a-huyz]{1}(01)[a-z]{3}(a b c y)(01 02 03 04 05 06 09)[\da-zA-Z]{4}[a-lz]{1}</td> </tr> </table>	= value	[\d]{8}[a-gy]{1}[\d]{4}[\d]{4}[a-zA-z]{3}[a-huyz]{1}(01)[a-z]{3}(a b c y)(01 02 03 04 05 06 09)[\da-zA-Z]{4}[a-lz]{1}																																																																																																																			
= base	xsd:string																																																																																																																																					
xsd:length		<table border="1"> <tr> <td>= value</td> <td>35</td> </tr> </table>	= value	35																																																																																																																																		
= value	35																																																																																																																																					
xsd:whiteSpace		<table border="1"> <tr> <td>= value</td> <td>preserve</td> </tr> </table>	= value	preserve																																																																																																																																		
= value	preserve																																																																																																																																					
xsd:pattern		<table border="1"> <tr> <td>= value</td> <td>[\d]{8}[a-gy]{1}[\d]{4}[\d]{4}[a-zA-z]{3}[a-huyz]{1}(01)[a-z]{3}(a b c y)(01 02 03 04 05 06 09)[\da-zA-Z]{4}[a-lz]{1}</td> </tr> </table>	= value	[\d]{8}[a-gy]{1}[\d]{4}[\d]{4}[a-zA-z]{3}[a-huyz]{1}(01)[a-z]{3}(a b c y)(01 02 03 04 05 06 09)[\da-zA-Z]{4}[a-lz]{1}																																																																																																																																		
= value	[\d]{8}[a-gy]{1}[\d]{4}[\d]{4}[a-zA-z]{3}[a-huyz]{1}(01)[a-z]{3}(a b c y)(01 02 03 04 05 06 09)[\da-zA-Z]{4}[a-lz]{1}																																																																																																																																					
<table border="1"> <tr> <td colspan="2">xsd:complexType</td> <td> <table border="1"> <tr> <td>= name</td> <td>tag101Type</td> </tr> <tr> <td>= id</td> <td>101Type</td> </tr> <tr> <td colspan="2">xsd:sequence</td> <td> <table border="1"> <tr> <td colspan="2">xsd:element</td> <td> <table border="1"> <tr> <td>= name</td> <td>_a</td> </tr> <tr> <td>= minOccurs</td> <td>0</td> </tr> <tr> <td>= maxOccurs</td> <td>unbounded</td> </tr> <tr> <td>= ncl:chiName</td> <td>正文語文</td> </tr> <tr> <td>= ncl:engName</td> <td>Language of Text</td> </tr> </table> </td> </tr> <tr> <td colspan="2">xsd:element</td> <td> <table border="1"> <tr> <td>= name</td> <td>_b</td> </tr> <tr> <td>= minOccurs</td> <td>0</td> </tr> <tr> <td>= maxOccurs</td> <td>unbounded</td> </tr> <tr> <td>= ncl:chiName</td> <td>據以翻譯之譯文語文</td> </tr> <tr> <td>= ncl:engName</td> <td>Language of Intermediate Text when Item is Not Translated from Original</td> </tr> </table> </td> </tr> <tr> <td colspan="2">xsd:element</td> <td> <table border="1"> <tr> <td>= name</td> <td>_c</td> </tr> <tr> <td>= minOccurs</td> <td>0</td> </tr> <tr> <td>= maxOccurs</td> <td>unbounded</td> </tr> <tr> <td>= ncl:chiName</td> <td>原文</td> </tr> <tr> <td>= ncl:engName</td> <td>Language of Original Work</td> </tr> </table> </td> </tr> <tr> <td colspan="2">xsd:element</td> <td> <table border="1"> <tr> <td>= name</td> <td>_d</td> </tr> <tr> <td>= minOccurs</td> <td>0</td> </tr> <tr> <td>= maxOccurs</td> <td>unbounded</td> </tr> <tr> <td>= ncl:chiName</td> <td>提要語文</td> </tr> <tr> <td>= ncl:engName</td> <td>Language of Summary</td> </tr> </table> </td> </tr> <tr> <td colspan="2">xsd:element</td> <td> <table border="1"> <tr> <td>= name</td> <td>_e</td> </tr> <tr> <td>= minOccurs</td> <td>0</td> </tr> </table> </td> </tr> </table> </td> </tr> </table> </td> </tr> </table>			xsd:complexType		<table border="1"> <tr> <td>= name</td> <td>tag101Type</td> </tr> <tr> <td>= id</td> <td>101Type</td> </tr> <tr> <td colspan="2">xsd:sequence</td> <td> <table border="1"> <tr> <td colspan="2">xsd:element</td> <td> <table border="1"> <tr> <td>= name</td> <td>_a</td> </tr> <tr> <td>= minOccurs</td> <td>0</td> </tr> <tr> <td>= maxOccurs</td> <td>unbounded</td> </tr> <tr> <td>= ncl:chiName</td> <td>正文語文</td> </tr> <tr> <td>= ncl:engName</td> <td>Language of Text</td> </tr> </table> </td> </tr> <tr> <td colspan="2">xsd:element</td> <td> <table border="1"> <tr> <td>= name</td> <td>_b</td> </tr> <tr> <td>= minOccurs</td> <td>0</td> </tr> <tr> <td>= maxOccurs</td> <td>unbounded</td> </tr> <tr> <td>= ncl:chiName</td> <td>據以翻譯之譯文語文</td> </tr> <tr> <td>= ncl:engName</td> <td>Language of Intermediate Text when Item is Not Translated from Original</td> </tr> </table> </td> </tr> <tr> <td colspan="2">xsd:element</td> <td> <table border="1"> <tr> <td>= name</td> <td>_c</td> </tr> <tr> <td>= minOccurs</td> <td>0</td> </tr> <tr> <td>= maxOccurs</td> <td>unbounded</td> </tr> <tr> <td>= ncl:chiName</td> <td>原文</td> </tr> <tr> <td>= ncl:engName</td> <td>Language of Original Work</td> </tr> </table> </td> </tr> <tr> <td colspan="2">xsd:element</td> <td> <table border="1"> <tr> <td>= name</td> <td>_d</td> </tr> <tr> <td>= minOccurs</td> <td>0</td> </tr> <tr> <td>= maxOccurs</td> <td>unbounded</td> </tr> <tr> <td>= ncl:chiName</td> <td>提要語文</td> </tr> <tr> <td>= ncl:engName</td> <td>Language of Summary</td> </tr> </table> </td> </tr> <tr> <td colspan="2">xsd:element</td> <td> <table border="1"> <tr> <td>= name</td> <td>_e</td> </tr> <tr> <td>= minOccurs</td> <td>0</td> </tr> </table> </td> </tr> </table> </td> </tr> </table>	= name	tag101Type	= id	101Type	xsd:sequence		<table border="1"> <tr> <td colspan="2">xsd:element</td> <td> <table border="1"> <tr> <td>= name</td> <td>_a</td> </tr> <tr> <td>= minOccurs</td> <td>0</td> </tr> <tr> <td>= maxOccurs</td> <td>unbounded</td> </tr> <tr> <td>= ncl:chiName</td> <td>正文語文</td> </tr> <tr> <td>= ncl:engName</td> <td>Language of Text</td> </tr> </table> </td> </tr> <tr> <td colspan="2">xsd:element</td> <td> <table border="1"> <tr> <td>= name</td> <td>_b</td> </tr> <tr> <td>= minOccurs</td> <td>0</td> </tr> <tr> <td>= maxOccurs</td> <td>unbounded</td> </tr> <tr> <td>= ncl:chiName</td> <td>據以翻譯之譯文語文</td> </tr> <tr> <td>= ncl:engName</td> <td>Language of Intermediate Text when Item is Not Translated from Original</td> </tr> </table> </td> </tr> <tr> <td colspan="2">xsd:element</td> <td> <table border="1"> <tr> <td>= name</td> <td>_c</td> </tr> <tr> <td>= minOccurs</td> <td>0</td> </tr> <tr> <td>= maxOccurs</td> <td>unbounded</td> </tr> <tr> <td>= ncl:chiName</td> <td>原文</td> </tr> <tr> <td>= ncl:engName</td> <td>Language of Original Work</td> </tr> </table> </td> </tr> <tr> <td colspan="2">xsd:element</td> <td> <table border="1"> <tr> <td>= name</td> <td>_d</td> </tr> <tr> <td>= minOccurs</td> <td>0</td> </tr> <tr> <td>= maxOccurs</td> <td>unbounded</td> </tr> <tr> <td>= ncl:chiName</td> <td>提要語文</td> </tr> <tr> <td>= ncl:engName</td> <td>Language of Summary</td> </tr> </table> </td> </tr> <tr> <td colspan="2">xsd:element</td> <td> <table border="1"> <tr> <td>= name</td> <td>_e</td> </tr> <tr> <td>= minOccurs</td> <td>0</td> </tr> </table> </td> </tr> </table>	xsd:element		<table border="1"> <tr> <td>= name</td> <td>_a</td> </tr> <tr> <td>= minOccurs</td> <td>0</td> </tr> <tr> <td>= maxOccurs</td> <td>unbounded</td> </tr> <tr> <td>= ncl:chiName</td> <td>正文語文</td> </tr> <tr> <td>= ncl:engName</td> <td>Language of Text</td> </tr> </table>	= name	_a	= minOccurs	0	= maxOccurs	unbounded	= ncl:chiName	正文語文	= ncl:engName	Language of Text	xsd:element		<table border="1"> <tr> <td>= name</td> <td>_b</td> </tr> <tr> <td>= minOccurs</td> <td>0</td> </tr> <tr> <td>= maxOccurs</td> <td>unbounded</td> </tr> <tr> <td>= ncl:chiName</td> <td>據以翻譯之譯文語文</td> </tr> <tr> <td>= ncl:engName</td> <td>Language of Intermediate Text when Item is Not Translated from Original</td> </tr> </table>	= name	_b	= minOccurs	0	= maxOccurs	unbounded	= ncl:chiName	據以翻譯之譯文語文	= ncl:engName	Language of Intermediate Text when Item is Not Translated from Original	xsd:element		<table border="1"> <tr> <td>= name</td> <td>_c</td> </tr> <tr> <td>= minOccurs</td> <td>0</td> </tr> <tr> <td>= maxOccurs</td> <td>unbounded</td> </tr> <tr> <td>= ncl:chiName</td> <td>原文</td> </tr> <tr> <td>= ncl:engName</td> <td>Language of Original Work</td> </tr> </table>	= name	_c	= minOccurs	0	= maxOccurs	unbounded	= ncl:chiName	原文	= ncl:engName	Language of Original Work	xsd:element		<table border="1"> <tr> <td>= name</td> <td>_d</td> </tr> <tr> <td>= minOccurs</td> <td>0</td> </tr> <tr> <td>= maxOccurs</td> <td>unbounded</td> </tr> <tr> <td>= ncl:chiName</td> <td>提要語文</td> </tr> <tr> <td>= ncl:engName</td> <td>Language of Summary</td> </tr> </table>	= name	_d	= minOccurs	0	= maxOccurs	unbounded	= ncl:chiName	提要語文	= ncl:engName	Language of Summary	xsd:element		<table border="1"> <tr> <td>= name</td> <td>_e</td> </tr> <tr> <td>= minOccurs</td> <td>0</td> </tr> </table>	= name	_e	= minOccurs	0																																																															
xsd:complexType		<table border="1"> <tr> <td>= name</td> <td>tag101Type</td> </tr> <tr> <td>= id</td> <td>101Type</td> </tr> <tr> <td colspan="2">xsd:sequence</td> <td> <table border="1"> <tr> <td colspan="2">xsd:element</td> <td> <table border="1"> <tr> <td>= name</td> <td>_a</td> </tr> <tr> <td>= minOccurs</td> <td>0</td> </tr> <tr> <td>= maxOccurs</td> <td>unbounded</td> </tr> <tr> <td>= ncl:chiName</td> <td>正文語文</td> </tr> <tr> <td>= ncl:engName</td> <td>Language of Text</td> </tr> </table> </td> </tr> <tr> <td colspan="2">xsd:element</td> <td> <table border="1"> <tr> <td>= name</td> <td>_b</td> </tr> <tr> <td>= minOccurs</td> <td>0</td> </tr> <tr> <td>= maxOccurs</td> <td>unbounded</td> </tr> <tr> <td>= ncl:chiName</td> <td>據以翻譯之譯文語文</td> </tr> <tr> <td>= ncl:engName</td> <td>Language of Intermediate Text when Item is Not Translated from Original</td> </tr> </table> </td> </tr> <tr> <td colspan="2">xsd:element</td> <td> <table border="1"> <tr> <td>= name</td> <td>_c</td> </tr> <tr> <td>= minOccurs</td> <td>0</td> </tr> <tr> <td>= maxOccurs</td> <td>unbounded</td> </tr> <tr> <td>= ncl:chiName</td> <td>原文</td> </tr> <tr> <td>= ncl:engName</td> <td>Language of Original Work</td> </tr> </table> </td> </tr> <tr> <td colspan="2">xsd:element</td> <td> <table border="1"> <tr> <td>= name</td> <td>_d</td> </tr> <tr> <td>= minOccurs</td> <td>0</td> </tr> <tr> <td>= maxOccurs</td> <td>unbounded</td> </tr> <tr> <td>= ncl:chiName</td> <td>提要語文</td> </tr> <tr> <td>= ncl:engName</td> <td>Language of Summary</td> </tr> </table> </td> </tr> <tr> <td colspan="2">xsd:element</td> <td> <table border="1"> <tr> <td>= name</td> <td>_e</td> </tr> <tr> <td>= minOccurs</td> <td>0</td> </tr> </table> </td> </tr> </table> </td> </tr> </table>	= name	tag101Type	= id	101Type	xsd:sequence		<table border="1"> <tr> <td colspan="2">xsd:element</td> <td> <table border="1"> <tr> <td>= name</td> <td>_a</td> </tr> <tr> <td>= minOccurs</td> <td>0</td> </tr> <tr> <td>= maxOccurs</td> <td>unbounded</td> </tr> <tr> <td>= ncl:chiName</td> <td>正文語文</td> </tr> <tr> <td>= ncl:engName</td> <td>Language of Text</td> </tr> </table> </td> </tr> <tr> <td colspan="2">xsd:element</td> <td> <table border="1"> <tr> <td>= name</td> <td>_b</td> </tr> <tr> <td>= minOccurs</td> <td>0</td> </tr> <tr> <td>= maxOccurs</td> <td>unbounded</td> </tr> <tr> <td>= ncl:chiName</td> <td>據以翻譯之譯文語文</td> </tr> <tr> <td>= ncl:engName</td> <td>Language of Intermediate Text when Item is Not Translated from Original</td> </tr> </table> </td> </tr> <tr> <td colspan="2">xsd:element</td> <td> <table border="1"> <tr> <td>= name</td> <td>_c</td> </tr> <tr> <td>= minOccurs</td> <td>0</td> </tr> <tr> <td>= maxOccurs</td> <td>unbounded</td> </tr> <tr> <td>= ncl:chiName</td> <td>原文</td> </tr> <tr> <td>= ncl:engName</td> <td>Language of Original Work</td> </tr> </table> </td> </tr> <tr> <td colspan="2">xsd:element</td> <td> <table border="1"> <tr> <td>= name</td> <td>_d</td> </tr> <tr> <td>= minOccurs</td> <td>0</td> </tr> <tr> <td>= maxOccurs</td> <td>unbounded</td> </tr> <tr> <td>= ncl:chiName</td> <td>提要語文</td> </tr> <tr> <td>= ncl:engName</td> <td>Language of Summary</td> </tr> </table> </td> </tr> <tr> <td colspan="2">xsd:element</td> <td> <table border="1"> <tr> <td>= name</td> <td>_e</td> </tr> <tr> <td>= minOccurs</td> <td>0</td> </tr> </table> </td> </tr> </table>	xsd:element		<table border="1"> <tr> <td>= name</td> <td>_a</td> </tr> <tr> <td>= minOccurs</td> <td>0</td> </tr> <tr> <td>= maxOccurs</td> <td>unbounded</td> </tr> <tr> <td>= ncl:chiName</td> <td>正文語文</td> </tr> <tr> <td>= ncl:engName</td> <td>Language of Text</td> </tr> </table>	= name	_a	= minOccurs	0	= maxOccurs	unbounded	= ncl:chiName	正文語文	= ncl:engName	Language of Text	xsd:element		<table border="1"> <tr> <td>= name</td> <td>_b</td> </tr> <tr> <td>= minOccurs</td> <td>0</td> </tr> <tr> <td>= maxOccurs</td> <td>unbounded</td> </tr> <tr> <td>= ncl:chiName</td> <td>據以翻譯之譯文語文</td> </tr> <tr> <td>= ncl:engName</td> <td>Language of Intermediate Text when Item is Not Translated from Original</td> </tr> </table>	= name	_b	= minOccurs	0	= maxOccurs	unbounded	= ncl:chiName	據以翻譯之譯文語文	= ncl:engName	Language of Intermediate Text when Item is Not Translated from Original	xsd:element		<table border="1"> <tr> <td>= name</td> <td>_c</td> </tr> <tr> <td>= minOccurs</td> <td>0</td> </tr> <tr> <td>= maxOccurs</td> <td>unbounded</td> </tr> <tr> <td>= ncl:chiName</td> <td>原文</td> </tr> <tr> <td>= ncl:engName</td> <td>Language of Original Work</td> </tr> </table>	= name	_c	= minOccurs	0	= maxOccurs	unbounded	= ncl:chiName	原文	= ncl:engName	Language of Original Work	xsd:element		<table border="1"> <tr> <td>= name</td> <td>_d</td> </tr> <tr> <td>= minOccurs</td> <td>0</td> </tr> <tr> <td>= maxOccurs</td> <td>unbounded</td> </tr> <tr> <td>= ncl:chiName</td> <td>提要語文</td> </tr> <tr> <td>= ncl:engName</td> <td>Language of Summary</td> </tr> </table>	= name	_d	= minOccurs	0	= maxOccurs	unbounded	= ncl:chiName	提要語文	= ncl:engName	Language of Summary	xsd:element		<table border="1"> <tr> <td>= name</td> <td>_e</td> </tr> <tr> <td>= minOccurs</td> <td>0</td> </tr> </table>	= name	_e	= minOccurs	0																																																																		
= name	tag101Type																																																																																																																																					
= id	101Type																																																																																																																																					
xsd:sequence		<table border="1"> <tr> <td colspan="2">xsd:element</td> <td> <table border="1"> <tr> <td>= name</td> <td>_a</td> </tr> <tr> <td>= minOccurs</td> <td>0</td> </tr> <tr> <td>= maxOccurs</td> <td>unbounded</td> </tr> <tr> <td>= ncl:chiName</td> <td>正文語文</td> </tr> <tr> <td>= ncl:engName</td> <td>Language of Text</td> </tr> </table> </td> </tr> <tr> <td colspan="2">xsd:element</td> <td> <table border="1"> <tr> <td>= name</td> <td>_b</td> </tr> <tr> <td>= minOccurs</td> <td>0</td> </tr> <tr> <td>= maxOccurs</td> <td>unbounded</td> </tr> <tr> <td>= ncl:chiName</td> <td>據以翻譯之譯文語文</td> </tr> <tr> <td>= ncl:engName</td> <td>Language of Intermediate Text when Item is Not Translated from Original</td> </tr> </table> </td> </tr> <tr> <td colspan="2">xsd:element</td> <td> <table border="1"> <tr> <td>= name</td> <td>_c</td> </tr> <tr> <td>= minOccurs</td> <td>0</td> </tr> <tr> <td>= maxOccurs</td> <td>unbounded</td> </tr> <tr> <td>= ncl:chiName</td> <td>原文</td> </tr> <tr> <td>= ncl:engName</td> <td>Language of Original Work</td> </tr> </table> </td> </tr> <tr> <td colspan="2">xsd:element</td> <td> <table border="1"> <tr> <td>= name</td> <td>_d</td> </tr> <tr> <td>= minOccurs</td> <td>0</td> </tr> <tr> <td>= maxOccurs</td> <td>unbounded</td> </tr> <tr> <td>= ncl:chiName</td> <td>提要語文</td> </tr> <tr> <td>= ncl:engName</td> <td>Language of Summary</td> </tr> </table> </td> </tr> <tr> <td colspan="2">xsd:element</td> <td> <table border="1"> <tr> <td>= name</td> <td>_e</td> </tr> <tr> <td>= minOccurs</td> <td>0</td> </tr> </table> </td> </tr> </table>	xsd:element		<table border="1"> <tr> <td>= name</td> <td>_a</td> </tr> <tr> <td>= minOccurs</td> <td>0</td> </tr> <tr> <td>= maxOccurs</td> <td>unbounded</td> </tr> <tr> <td>= ncl:chiName</td> <td>正文語文</td> </tr> <tr> <td>= ncl:engName</td> <td>Language of Text</td> </tr> </table>	= name	_a	= minOccurs	0	= maxOccurs	unbounded	= ncl:chiName	正文語文	= ncl:engName	Language of Text	xsd:element		<table border="1"> <tr> <td>= name</td> <td>_b</td> </tr> <tr> <td>= minOccurs</td> <td>0</td> </tr> <tr> <td>= maxOccurs</td> <td>unbounded</td> </tr> <tr> <td>= ncl:chiName</td> <td>據以翻譯之譯文語文</td> </tr> <tr> <td>= ncl:engName</td> <td>Language of Intermediate Text when Item is Not Translated from Original</td> </tr> </table>	= name	_b	= minOccurs	0	= maxOccurs	unbounded	= ncl:chiName	據以翻譯之譯文語文	= ncl:engName	Language of Intermediate Text when Item is Not Translated from Original	xsd:element		<table border="1"> <tr> <td>= name</td> <td>_c</td> </tr> <tr> <td>= minOccurs</td> <td>0</td> </tr> <tr> <td>= maxOccurs</td> <td>unbounded</td> </tr> <tr> <td>= ncl:chiName</td> <td>原文</td> </tr> <tr> <td>= ncl:engName</td> <td>Language of Original Work</td> </tr> </table>	= name	_c	= minOccurs	0	= maxOccurs	unbounded	= ncl:chiName	原文	= ncl:engName	Language of Original Work	xsd:element		<table border="1"> <tr> <td>= name</td> <td>_d</td> </tr> <tr> <td>= minOccurs</td> <td>0</td> </tr> <tr> <td>= maxOccurs</td> <td>unbounded</td> </tr> <tr> <td>= ncl:chiName</td> <td>提要語文</td> </tr> <tr> <td>= ncl:engName</td> <td>Language of Summary</td> </tr> </table>	= name	_d	= minOccurs	0	= maxOccurs	unbounded	= ncl:chiName	提要語文	= ncl:engName	Language of Summary	xsd:element		<table border="1"> <tr> <td>= name</td> <td>_e</td> </tr> <tr> <td>= minOccurs</td> <td>0</td> </tr> </table>	= name	_e	= minOccurs	0																																																																									
xsd:element		<table border="1"> <tr> <td>= name</td> <td>_a</td> </tr> <tr> <td>= minOccurs</td> <td>0</td> </tr> <tr> <td>= maxOccurs</td> <td>unbounded</td> </tr> <tr> <td>= ncl:chiName</td> <td>正文語文</td> </tr> <tr> <td>= ncl:engName</td> <td>Language of Text</td> </tr> </table>	= name	_a	= minOccurs	0	= maxOccurs	unbounded	= ncl:chiName	正文語文	= ncl:engName	Language of Text																																																																																																																										
= name	_a																																																																																																																																					
= minOccurs	0																																																																																																																																					
= maxOccurs	unbounded																																																																																																																																					
= ncl:chiName	正文語文																																																																																																																																					
= ncl:engName	Language of Text																																																																																																																																					
xsd:element		<table border="1"> <tr> <td>= name</td> <td>_b</td> </tr> <tr> <td>= minOccurs</td> <td>0</td> </tr> <tr> <td>= maxOccurs</td> <td>unbounded</td> </tr> <tr> <td>= ncl:chiName</td> <td>據以翻譯之譯文語文</td> </tr> <tr> <td>= ncl:engName</td> <td>Language of Intermediate Text when Item is Not Translated from Original</td> </tr> </table>	= name	_b	= minOccurs	0	= maxOccurs	unbounded	= ncl:chiName	據以翻譯之譯文語文	= ncl:engName	Language of Intermediate Text when Item is Not Translated from Original																																																																																																																										
= name	_b																																																																																																																																					
= minOccurs	0																																																																																																																																					
= maxOccurs	unbounded																																																																																																																																					
= ncl:chiName	據以翻譯之譯文語文																																																																																																																																					
= ncl:engName	Language of Intermediate Text when Item is Not Translated from Original																																																																																																																																					
xsd:element		<table border="1"> <tr> <td>= name</td> <td>_c</td> </tr> <tr> <td>= minOccurs</td> <td>0</td> </tr> <tr> <td>= maxOccurs</td> <td>unbounded</td> </tr> <tr> <td>= ncl:chiName</td> <td>原文</td> </tr> <tr> <td>= ncl:engName</td> <td>Language of Original Work</td> </tr> </table>	= name	_c	= minOccurs	0	= maxOccurs	unbounded	= ncl:chiName	原文	= ncl:engName	Language of Original Work																																																																																																																										
= name	_c																																																																																																																																					
= minOccurs	0																																																																																																																																					
= maxOccurs	unbounded																																																																																																																																					
= ncl:chiName	原文																																																																																																																																					
= ncl:engName	Language of Original Work																																																																																																																																					
xsd:element		<table border="1"> <tr> <td>= name</td> <td>_d</td> </tr> <tr> <td>= minOccurs</td> <td>0</td> </tr> <tr> <td>= maxOccurs</td> <td>unbounded</td> </tr> <tr> <td>= ncl:chiName</td> <td>提要語文</td> </tr> <tr> <td>= ncl:engName</td> <td>Language of Summary</td> </tr> </table>	= name	_d	= minOccurs	0	= maxOccurs	unbounded	= ncl:chiName	提要語文	= ncl:engName	Language of Summary																																																																																																																										
= name	_d																																																																																																																																					
= minOccurs	0																																																																																																																																					
= maxOccurs	unbounded																																																																																																																																					
= ncl:chiName	提要語文																																																																																																																																					
= ncl:engName	Language of Summary																																																																																																																																					
xsd:element		<table border="1"> <tr> <td>= name</td> <td>_e</td> </tr> <tr> <td>= minOccurs</td> <td>0</td> </tr> </table>	= name	_e	= minOccurs	0																																																																																																																																
= name	_e																																																																																																																																					
= minOccurs	0																																																																																																																																					

	<table border="1"> <tr><td>maxOccurs</td><td>unbounded</td></tr> <tr><td>ncl:chiName</td><td>目次語文</td></tr> <tr><td>ncl:engName</td><td>Language of Contents Page</td></tr> </table>	maxOccurs	unbounded	ncl:chiName	目次語文	ncl:engName	Language of Contents Page																				
maxOccurs	unbounded																										
ncl:chiName	目次語文																										
ncl:engName	Language of Contents Page																										
<table border="1"> <tr><td colspan="2">xsd:element</td></tr> <tr><td>name</td><td>_f</td></tr> <tr><td>minOccurs</td><td>0</td></tr> <tr><td>maxOccurs</td><td>unbounded</td></tr> <tr><td>ncl:chiName</td><td>題名頁語文 (別於正文時)</td></tr> <tr><td>ncl:engName</td><td>Language of Title Page if Different from Text</td></tr> </table>	xsd:element		name	_f	minOccurs	0	maxOccurs	unbounded	ncl:chiName	題名頁語文 (別於正文時)	ncl:engName	Language of Title Page if Different from Text															
xsd:element																											
name	_f																										
minOccurs	0																										
maxOccurs	unbounded																										
ncl:chiName	題名頁語文 (別於正文時)																										
ncl:engName	Language of Title Page if Different from Text																										
<table border="1"> <tr><td colspan="2">xsd:element</td></tr> <tr><td>name</td><td>_g</td></tr> <tr><td>minOccurs</td><td>0</td></tr> <tr><td>ncl:chiName</td><td>正題名語文 (如非正文語文)</td></tr> <tr><td>ncl:engName</td><td>Language of Title Proper if Not First Language of Text</td></tr> </table>	xsd:element		name	_g	minOccurs	0	ncl:chiName	正題名語文 (如非正文語文)	ncl:engName	Language of Title Proper if Not First Language of Text																	
xsd:element																											
name	_g																										
minOccurs	0																										
ncl:chiName	正題名語文 (如非正文語文)																										
ncl:engName	Language of Title Proper if Not First Language of Text																										
<table border="1"> <tr><td colspan="2">xsd:element</td></tr> <tr><td>name</td><td>_h</td></tr> <tr><td>minOccurs</td><td>0</td></tr> <tr><td>maxOccurs</td><td>unbounded</td></tr> <tr><td>ncl:chiName</td><td>歌詞語文 (適用於錄音及文字資料並存時)</td></tr> <tr><td>ncl:engName</td><td>Language of Libretto, etc.</td></tr> </table>	xsd:element		name	_h	minOccurs	0	maxOccurs	unbounded	ncl:chiName	歌詞語文 (適用於錄音及文字資料並存時)	ncl:engName	Language of Libretto, etc.															
xsd:element																											
name	_h																										
minOccurs	0																										
maxOccurs	unbounded																										
ncl:chiName	歌詞語文 (適用於錄音及文字資料並存時)																										
ncl:engName	Language of Libretto, etc.																										
<table border="1"> <tr><td colspan="2">xsd:element</td></tr> <tr><td>name</td><td>_i</td></tr> <tr><td>minOccurs</td><td>0</td></tr> <tr><td>maxOccurs</td><td>unbounded</td></tr> <tr><td>ncl:chiName</td><td>附件語文 (別於摘要、歌詞時)</td></tr> <tr><td>ncl:engName</td><td>Language of Accompanying Material (Other than Summaries, Abstracts or Librettos)</td></tr> </table>	xsd:element		name	_i	minOccurs	0	maxOccurs	unbounded	ncl:chiName	附件語文 (別於摘要、歌詞時)	ncl:engName	Language of Accompanying Material (Other than Summaries, Abstracts or Librettos)															
xsd:element																											
name	_i																										
minOccurs	0																										
maxOccurs	unbounded																										
ncl:chiName	附件語文 (別於摘要、歌詞時)																										
ncl:engName	Language of Accompanying Material (Other than Summaries, Abstracts or Librettos)																										
<table border="1"> <tr><td colspan="2">xsd:element</td></tr> <tr><td>name</td><td>_j</td></tr> <tr><td>minOccurs</td><td>0</td></tr> <tr><td>maxOccurs</td><td>unbounded</td></tr> <tr><td>ncl:chiName</td><td>影片字幕語文</td></tr> <tr><td>ncl:engName</td><td>Language of Subtitles</td></tr> </table>	xsd:element		name	_j	minOccurs	0	maxOccurs	unbounded	ncl:chiName	影片字幕語文	ncl:engName	Language of Subtitles															
xsd:element																											
name	_j																										
minOccurs	0																										
maxOccurs	unbounded																										
ncl:chiName	影片字幕語文																										
ncl:engName	Language of Subtitles																										
<table border="1"> <tr><td colspan="2">xsd:attribute</td></tr> <tr><td>name</td><td>ind1</td></tr> <tr><td>type</td><td>indicatorDataType</td></tr> <tr><td>use</td><td>required</td></tr> </table>	xsd:attribute		name	ind1	type	indicatorDataType	use	required																			
xsd:attribute																											
name	ind1																										
type	indicatorDataType																										
use	required																										
<table border="1"> <tr><td colspan="2">xsd:attribute</td></tr> <tr><td>name</td><td>ind2</td></tr> <tr><td>use</td><td>required</td></tr> <tr><td>fixed</td><td></td></tr> </table>	xsd:attribute		name	ind2	use	required	fixed																				
xsd:attribute																											
name	ind2																										
use	required																										
fixed																											
<table border="1"> <tr><td colspan="2">xsd:complexType</td></tr> <tr><td>name</td><td>tag102Type</td></tr> <tr><td>id</td><td>102Type</td></tr> <tr><td colspan="2">xsd:sequence</td></tr> <tr><td colspan="2">xsd:element</td></tr> <tr><td>name</td><td>_a</td></tr> <tr><td>minOccurs</td><td>0</td></tr> <tr><td>maxOccurs</td><td>unbounded</td></tr> <tr><td>ncl:chiName</td><td>出版國別</td></tr> <tr><td>ncl:engName</td><td>Country of Publication</td></tr> <tr><td colspan="2">xsd:element</td></tr> <tr><td>name</td><td>_b</td></tr> <tr><td>minOccurs</td><td>0</td></tr> </table>	xsd:complexType		name	tag102Type	id	102Type	xsd:sequence		xsd:element		name	_a	minOccurs	0	maxOccurs	unbounded	ncl:chiName	出版國別	ncl:engName	Country of Publication	xsd:element		name	_b	minOccurs	0	
xsd:complexType																											
name	tag102Type																										
id	102Type																										
xsd:sequence																											
xsd:element																											
name	_a																										
minOccurs	0																										
maxOccurs	unbounded																										
ncl:chiName	出版國別																										
ncl:engName	Country of Publication																										
xsd:element																											
name	_b																										
minOccurs	0																										

		maxOccurs	unbounded
		ncl:chiName	出版地區
		ncl:engName	Locality of Publication
▲ xsd:element		name	c
		minOccurs	0
		maxOccurs	unbounded
		ncl:chiName	出版縣市
		ncl:engName	County/City of Publication
▲ xsd:attribute		name	ind1
		use	required
		fixed	
▲ xsd:attribute		name	ind2
		use	required
		fixed	
▲ xsd:complexType		name	tag105Type
		id	105Type
▲ xsd:sequence		▲ xsd:element	
		name	_a
		type	tag105aFieldType
		ncl:chiName	圖書之資料代碼
		ncl:engName	Monograph Coded Data
▲ xsd:attribute		name	ind1
		use	required
		fixed	
▲ xsd:attribute		name	ind2
		use	required
		fixed	
▲ xsd:simpleType		name	tag105aFieldType
▲ xsd:restriction		base	xsd:string
		▲ xsd:length	value 13
		▲ xsd:whiteSpace	value preserve
		▲ xsd:pattern	value [a-z]{4}[a-z]{4}(011)(011)(011)(a-hlyz)(a-dly)
▲ xsd:complexType		name	tag106Type
		id	106Type
▲ xsd:sequence		▲ xsd:element	
		name	_a
		type	tag106aFieldType
		maxOccurs	unbounded
		ncl:chiName	文字資料形式代碼
		ncl:engName	Textual Material Coded Data—Physical Medium Designator
▲ xsd:attribute		name	ind1
		use	required
		fixed	
▲ xsd:attribute		name	ind2
		use	required

		= fixed	
xsd:simpleType			
= name		tag106aFieldType	
xsd:restriction			
= base		xsd:string	
xsd:length		= value	1
xsd:pattern		= value	(d e f g h i j k l n o p q r s t u v w x y z)
xsd:complexType			
= name		tag110Type	
= id		110Type	
xsd:sequence			
xsd:element			
= name		a	
= type		tag110aFieldType	
= ncl:chiName		連續性出版品之資料代碼	
= ncl:engName		Serial Coded Data	
xsd:attribute			
= name		ind1	
= use		required	
= fixed			
xsd:attribute			
= name		ind2	
= use		required	
= fixed			
xsd:simpleType			
= name		tag110aFieldType	
xsd:restriction			
= base		xsd:string	
xsd:length		= value	11
xsd:whiteSpace		= value	preserve
xsd:pattern		= value	(al bl cl z)(a-z)(al bl ly)(a-z)[a-z]{3}(0 1)(a-g l u x y z)(a-m l u d y z)
xsd:complexType			
= name		tag115Type	
= id		115Type	
xsd:sequence			
xsd:element			
= name		_a	
= type		tag115aFieldType	
= minOccurs		0	
= ncl:chiName		資料代碼 (一般性)	
= ncl:engName		Coded Data - General	
xsd:element			
= name		_b	
= type		tag115bFieldType	
= minOccurs		0	
= ncl:chiName		影片代碼 (存檔資料)	
= ncl:engName		Motion Picture Coded Data - Archival	
xsd:attribute			
= name		ind1	
= use		required	
= fixed			
xsd:attribute			
= name		ind2	
= use		required	
= fixed			

xsd:simpleType	
name	tag115aFieldType
xsd:restriction	
base	xsd:string
xsd:length	value: 20
xsd:whiteSpace	value: preserve
xsd:pattern	value: (abc){/d}{3}(a-clulz)(albulz)(a-ilzluyl)[a-z]{13}
xsd:simpleType	
name	tag115bFieldType
xsd:restriction	
base	xsd:string
xsd:length	value: 15
xsd:whiteSpace	value: preserve
xsd:pattern	value: [a-z]{9}[vd]{6}
xsd:complexType	
name	tag116Type
id	116Type
xsd:sequence	
xsd:element	
name	_a
type	tag116FieldType
nc:chiName	圖片資料之代碼
nc:engName	Coded Data for Graphics
xsd:attribute	
name	ind1
use	required
fixed	
xsd:attribute	
name	ind2
use	required
fixed	
xsd:simpleType	
name	tag116FieldType
xsd:restriction	
base	xsd:string
xsd:length	value: 4
xsd:pattern	value: [a-z]
xsd:complexType	
name	tag120Type
id	120Type
xsd:sequence	
xsd:element	
name	_a
type	tag120FieldType
nc:chiName	地圖資料之代碼 (一般性)
nc:engName	Cartographic Material Coded Data (General)
xsd:attribute	
name	ind1
use	required
fixed	
xsd:attribute	
name	ind2
use	required

		= fixed	
xsd:simpleType			
= name		tag120FieldType	
xsd:restriction			
= base		xsd:string	
xsd:length		= value	13
xsd:pattern		= value	[a-z]
xsd:complexType			
= name		tag121Type	
= id		121Type	
xsd:sequence			
xsd:element			
= name		_a	
= type		tag121aFieldType	
= minOccurs		0	
= ncl:chiName		地圖資料之形式特性 (一般性)	
= ncl:engName		Cartographic Material Coded Data : Physical attributes (General)	
xsd:element			
= name		_b	
= type		tag121bFieldType	
= minOccurs		0	
= ncl:chiName		航空照像及遙測形式代碼	
= ncl:engName		Aerial Photography and Remote Sensing Coded Data : Physical Attributes	
xsd:attribute			
= name		ind1	
= use		required	
= fixed			
xsd:attribute			
= name		ind2	
= use		required	
= fixed			
xsd:simpleType			
= name		tag121aFieldType	
xsd:restriction			
= base		xsd:string	
xsd:length		= value	9
xsd:pattern		= value	[a-z]
xsd:simpleType			
= name		tag121bFieldType	
xsd:restriction			
= base		xsd:string	
xsd:length		= value	8
xsd:whiteSpace		= value	preserve
xsd:pattern		= value	[a-z]{2}[\d]{2}(a-d)[\d]{1}[\da-z]{2}
xsd:complexType			
= name		tag122Type	
= id		122Type	
xsd:sequence			
xsd:element			
= name		_a	
= type		tag122aFieldType	

		maxOccurs	unbounded
		ncl:chiName	作品涵蓋時間
		ncl:engName	Time period, 9999 B.C. to present
	xsd:attribute	name	ind1
		type	indicatorDataType
		use	required
	xsd:attribute	name	ind2
		use	required
		fixed	
	xsd:simpleType	name	tag122aFieldType
		xsd:restriction	
		base	xsd:string
		xsd:maxLength	
		value	11
		xsd:pattern	
		value	(cld)[\d]{10}
	xsd:complexType	name	tag123Type
		id	123Type
		xsd:sequence	
		xsd:element	
		name	a
		type	tag123aFieldType
		ncl:chiName	比例尺型式
		ncl:engName	Type of Scale
		xsd:element	
		name	b
		minOccurs	0
		maxOccurs	unbounded
		ncl:chiName	水平比例尺
		ncl:engName	Constant Ratio Linear Horizontal Scale
		xsd:element	
		name	c
		minOccurs	0
		maxOccurs	unbounded
		ncl:chiName	垂直比例尺
		ncl:engName	Constant Ratio Linear Vertical Scale
		xsd:element	
		name	d
		type	tag123dFieldType
		minOccurs	0
		ncl:chiName	座標—最西邊之經度
		ncl:engName	Co-ordinates—Westernmost Longitude
		xsd:element	
		name	e
		type	tag123dFieldType
		minOccurs	0
		ncl:chiName	座標—最東邊之經度
		ncl:engName	Co-ordinates—Easternmost Longitude
		xsd:element	
		name	f
		type	tag123dFieldType
		minOccurs	0
		ncl:chiName	座標—最北邊之經度
		ncl:engName	Co-ordinates—Northernmost Latitude
		xsd:element	

		name	_g
		type	tag123dFieldType
		minOccurs	0
		ncl:chiName	座標—最南邊之經度
		ncl:engName	Co-ordinates—Southernmost Latitude
xsd:element			
		name	_h
		type	tag123hFieldType
		minOccurs	0
		maxOccurs	unbounded
		ncl:chiName	角比例尺
		ncl:engName	Angular Scale
xsd:element			
		name	_i
		type	tag123dFieldType
		minOccurs	0
		ncl:chiName	赤緯（向北天極）
		ncl:engName	Declination—Northern Limit
xsd:element			
		name	_j
		type	tag123dFieldType
		minOccurs	0
		ncl:chiName	赤緯（向南天極）
		ncl:engName	Declination—Southern Limit
xsd:element			
		name	_k
		type	tag123kFieldType
		minOccurs	0
		ncl:chiName	赤經（東端）
		ncl:engName	Right ascension—Eastern Limits
xsd:element			
		name	_m
		type	tag123kFieldType
		minOccurs	0
		ncl:chiName	赤經（西端）
		ncl:engName	Right ascension—Western Limits
xsd:element			
		name	_n
		minOccurs	0
		ncl:chiName	晝夜平分點
		ncl:engName	Equinox
xsd:attribute			
		name	ind1
		type	indicatorDataType
		use	required
xsd:attribute			
		name	ind2
		use	required
		fixed	
xsd:simpleType			
		name	tag123aFieldType
		xsd:restriction	
		base	xsd:string
		xsd:length	
		value	1
		xsd:pattern	
		value	(alb z)
xsd:simpleType			
		name	tag123dFieldType
		xsd:restriction	

		= base	xsd:string
		▲ xsd:length	= value 8
		▲ xsd:whiteSpace	= value preserve
		▲ xsd:pattern	= value (wlelns)[vd]{7}
▲ xsd:simpleType			
= name		tag123hFieldType	
▲ xsd:restriction			
		= base	xsd:string
		▲ xsd:length	= value 4
▲ xsd:simpleType			
= name		tag123kFieldType	
▲ xsd:restriction			
		= base	xsd:string
		▲ xsd:length	= value 6
		▲ xsd:whiteSpace	= value preserve
		▲ xsd:pattern	= value [vd]{6}
▲ xsd:complexType			
= name		tag124Type	
= id		124Type	
▲ xsd:sequence			
▲ xsd:element			
		= name	_a
		= type	tag124aFieldType
		= minOccurs	0
		= ncl:chiName	影像性質
		= ncl:engName	Character of Image
▲ xsd:element			
		= name	_b
		= type	tag124FieldType
		= minOccurs	0
		= maxOccurs	unbounded
		= ncl:chiName	地圖形式
		= ncl:engName	Form of Cartographic Item
▲ xsd:element			
		= name	_c
		= type	tag124cFieldType
		= minOccurs	0
		= maxOccurs	unbounded
		= ncl:chiName	照相或非照相影像之顯像技術
		= ncl:engName	Presentation Technique for Photographic or Non-Photographic Image
▲ xsd:element			
		= name	_d
		= type	tag124FieldType
		= minOccurs	0
		= maxOccurs	unbounded
		= ncl:chiName	照相或遙測影像之載臺位置
		= ncl:engName	Position of Platform for Photographic or Remote Sensing Image
▲ xsd:element			
		= name	_e
		= type	tag124FieldType
		= minOccurs	0

				<table border="1"> <tr><td>= maxOccurs</td><td>unbounded</td></tr> <tr><td>= ncl:chiName</td><td>遙測影像之太空衛星種類</td></tr> <tr><td>= ncl:engName</td><td>Category of Satellite for Remote Sensing Image</td></tr> </table>	= maxOccurs	unbounded	= ncl:chiName	遙測影像之太空衛星種類	= ncl:engName	Category of Satellite for Remote Sensing Image																		
= maxOccurs	unbounded																											
= ncl:chiName	遙測影像之太空衛星種類																											
= ncl:engName	Category of Satellite for Remote Sensing Image																											
		<table border="1"> <tr><td>xs:element</td><td></td></tr> <tr><td>= name</td><td>_f</td></tr> <tr><td>= type</td><td>tag124FieldType</td></tr> <tr><td>= minOccurs</td><td>0</td></tr> <tr><td>= maxOccurs</td><td>unbounded</td></tr> <tr><td>= ncl:chiName</td><td>遙測影像之太空衛星名稱</td></tr> <tr><td>= ncl:engName</td><td>Name of Satellite for Remote Sensing Image</td></tr> </table>	xs:element		= name	_f	= type	tag124FieldType	= minOccurs	0	= maxOccurs	unbounded	= ncl:chiName	遙測影像之太空衛星名稱	= ncl:engName	Name of Satellite for Remote Sensing Image												
xs:element																												
= name	_f																											
= type	tag124FieldType																											
= minOccurs	0																											
= maxOccurs	unbounded																											
= ncl:chiName	遙測影像之太空衛星名稱																											
= ncl:engName	Name of Satellite for Remote Sensing Image																											
		<table border="1"> <tr><td>xs:element</td><td></td></tr> <tr><td>= name</td><td>_g</td></tr> <tr><td>= type</td><td>tag124FieldType</td></tr> <tr><td>= minOccurs</td><td>0</td></tr> <tr><td>= maxOccurs</td><td>unbounded</td></tr> <tr><td>= ncl:chiName</td><td>遙測影像之錄影技術</td></tr> <tr><td>= ncl:engName</td><td>Recording Technique for Remote Sensing Image</td></tr> </table>	xs:element		= name	_g	= type	tag124FieldType	= minOccurs	0	= maxOccurs	unbounded	= ncl:chiName	遙測影像之錄影技術	= ncl:engName	Recording Technique for Remote Sensing Image												
xs:element																												
= name	_g																											
= type	tag124FieldType																											
= minOccurs	0																											
= maxOccurs	unbounded																											
= ncl:chiName	遙測影像之錄影技術																											
= ncl:engName	Recording Technique for Remote Sensing Image																											
	<table border="1"> <tr><td>xs:attribute</td><td></td></tr> <tr><td>= name</td><td>ind1</td></tr> <tr><td>= use</td><td>required</td></tr> <tr><td>= fixed</td><td></td></tr> </table>	xs:attribute		= name	ind1	= use	required	= fixed																				
xs:attribute																												
= name	ind1																											
= use	required																											
= fixed																												
	<table border="1"> <tr><td>xs:attribute</td><td></td></tr> <tr><td>= name</td><td>ind2</td></tr> <tr><td>= use</td><td>required</td></tr> <tr><td>= fixed</td><td></td></tr> </table>	xs:attribute		= name	ind2	= use	required	= fixed																				
xs:attribute																												
= name	ind2																											
= use	required																											
= fixed																												
	<table border="1"> <tr><td>xs:simpleType</td><td></td></tr> <tr><td>= name</td><td>tag124aFieldType</td></tr> <tr><td>xs:restriction</td><td></td></tr> <tr><td>= base</td><td>xsd:string</td></tr> <tr><td>xs:length</td><td></td></tr> <tr><td>= value</td><td>1</td></tr> <tr><td>xs:enumeration</td><td></td></tr> <tr><td>= value</td><td>_a</td></tr> <tr><td>xs:enumeration</td><td></td></tr> <tr><td>= value</td><td>_b</td></tr> <tr><td>xs:enumeration</td><td></td></tr> <tr><td>= value</td><td>_c</td></tr> </table>	xs:simpleType		= name	tag124aFieldType	xs:restriction		= base	xsd:string	xs:length		= value	1	xs:enumeration		= value	_a	xs:enumeration		= value	_b	xs:enumeration		= value	_c			
xs:simpleType																												
= name	tag124aFieldType																											
xs:restriction																												
= base	xsd:string																											
xs:length																												
= value	1																											
xs:enumeration																												
= value	_a																											
xs:enumeration																												
= value	_b																											
xs:enumeration																												
= value	_c																											
	<table border="1"> <tr><td>xs:simpleType</td><td></td></tr> <tr><td>= name</td><td>tag124cFieldType</td></tr> <tr><td>xs:restriction</td><td></td></tr> <tr><td>= base</td><td>xsd:string</td></tr> <tr><td>xs:length</td><td></td></tr> <tr><td>= value</td><td>2</td></tr> <tr><td>xs:pattern</td><td></td></tr> <tr><td>= value</td><td>([a-z]){1}</td></tr> </table>	xs:simpleType		= name	tag124cFieldType	xs:restriction		= base	xsd:string	xs:length		= value	2	xs:pattern		= value	([a-z]){1}											
xs:simpleType																												
= name	tag124cFieldType																											
xs:restriction																												
= base	xsd:string																											
xs:length																												
= value	2																											
xs:pattern																												
= value	([a-z]){1}																											
	<table border="1"> <tr><td>xs:simpleType</td><td></td></tr> <tr><td>= name</td><td>tag124FieldType</td></tr> <tr><td>xs:restriction</td><td></td></tr> <tr><td>= base</td><td>xsd:string</td></tr> <tr><td>xs:length</td><td></td></tr> <tr><td>= value</td><td>1</td></tr> <tr><td>xs:pattern</td><td></td></tr> <tr><td>= value</td><td>[a-z]</td></tr> </table>	xs:simpleType		= name	tag124FieldType	xs:restriction		= base	xsd:string	xs:length		= value	1	xs:pattern		= value	[a-z]											
xs:simpleType																												
= name	tag124FieldType																											
xs:restriction																												
= base	xsd:string																											
xs:length																												
= value	1																											
xs:pattern																												
= value	[a-z]																											
	<table border="1"> <tr><td>xs:complexType</td><td></td></tr> <tr><td>= name</td><td>tag125Type</td></tr> <tr><td>= id</td><td>125Type</td></tr> <tr><td>xs:sequence</td><td></td></tr> <tr><td>xs:element</td><td></td></tr> <tr><td>= name</td><td>_a</td></tr> <tr><td>= type</td><td>tag125FieldType</td></tr> </table>	xs:complexType		= name	tag125Type	= id	125Type	xs:sequence		xs:element		= name	_a	= type	tag125FieldType													
xs:complexType																												
= name	tag125Type																											
= id	125Type																											
xs:sequence																												
xs:element																												
= name	_a																											
= type	tag125FieldType																											

		= minOccurs	0																																																																																																																																								
		= ncl:chiName	樂譜資料代碼																																																																																																																																								
		= ncl:engName	Format of Printed Music																																																																																																																																								
<table border="1"> <tr> <td colspan="2">xsd:element</td> <td>= name</td> <td>b</td> </tr> <tr> <td colspan="2"></td> <td>= type</td> <td>tag125FieldType</td> </tr> <tr> <td colspan="2"></td> <td>= minOccurs</td> <td>0</td> </tr> <tr> <td colspan="2"></td> <td>= ncl:chiName</td> <td>錄音資料代碼 (非音樂性)</td> </tr> <tr> <td colspan="2"></td> <td>= ncl:engName</td> <td>Literary Text Indicator (Non-Music Performance)</td> </tr> </table>				xsd:element		= name	b			= type	tag125FieldType			= minOccurs	0			= ncl:chiName	錄音資料代碼 (非音樂性)			= ncl:engName	Literary Text Indicator (Non-Music Performance)																																																																																																																				
xsd:element		= name	b																																																																																																																																								
		= type	tag125FieldType																																																																																																																																								
		= minOccurs	0																																																																																																																																								
		= ncl:chiName	錄音資料代碼 (非音樂性)																																																																																																																																								
		= ncl:engName	Literary Text Indicator (Non-Music Performance)																																																																																																																																								
xsd:attribute		= name	ind1																																																																																																																																								
		= use	required																																																																																																																																								
		= fixed																																																																																																																																									
xsd:attribute		= name	ind2																																																																																																																																								
		= use	required																																																																																																																																								
		= fixed																																																																																																																																									
<table border="1"> <tr> <td colspan="2">xsd:simpleType</td> <td>= name</td> <td>tag125FieldType</td> </tr> <tr> <td colspan="4"> <table border="1"> <tr> <td colspan="2">xsd:restriction</td> <td>= base</td> <td>xsd:string</td> </tr> <tr> <td colspan="2">xsd:length</td> <td>= value</td> <td>2</td> </tr> <tr> <td colspan="2">xsd:pattern</td> <td>= value</td> <td>[a-z]</td> </tr> </table> </td> </tr> </table>				xsd:simpleType		= name	tag125FieldType	<table border="1"> <tr> <td colspan="2">xsd:restriction</td> <td>= base</td> <td>xsd:string</td> </tr> <tr> <td colspan="2">xsd:length</td> <td>= value</td> <td>2</td> </tr> <tr> <td colspan="2">xsd:pattern</td> <td>= value</td> <td>[a-z]</td> </tr> </table>				xsd:restriction		= base	xsd:string	xsd:length		= value	2	xsd:pattern		= value	[a-z]																																																																																																																				
xsd:simpleType		= name	tag125FieldType																																																																																																																																								
<table border="1"> <tr> <td colspan="2">xsd:restriction</td> <td>= base</td> <td>xsd:string</td> </tr> <tr> <td colspan="2">xsd:length</td> <td>= value</td> <td>2</td> </tr> <tr> <td colspan="2">xsd:pattern</td> <td>= value</td> <td>[a-z]</td> </tr> </table>				xsd:restriction		= base	xsd:string	xsd:length		= value	2	xsd:pattern		= value	[a-z]																																																																																																																												
xsd:restriction		= base	xsd:string																																																																																																																																								
xsd:length		= value	2																																																																																																																																								
xsd:pattern		= value	[a-z]																																																																																																																																								
<table border="1"> <tr> <td colspan="2">xsd:complexType</td> <td>= name</td> <td>tag126Type</td> </tr> <tr> <td colspan="2"></td> <td>= id</td> <td>126Type</td> </tr> <tr> <td colspan="4"> <table border="1"> <tr> <td colspan="2">xsd:sequence</td> <td colspan="2"> <table border="1"> <tr> <td colspan="2">xsd:element</td> <td>= name</td> <td>a</td> </tr> <tr> <td colspan="2"></td> <td>= type</td> <td>tag126aFieldType</td> </tr> <tr> <td colspan="2"></td> <td>= minOccurs</td> <td>0</td> </tr> <tr> <td colspan="2"></td> <td>= maxOccurs</td> <td>unbounded</td> </tr> <tr> <td colspan="2"></td> <td>= ncl:chiName</td> <td>錄音資料代碼 (一般性)</td> </tr> <tr> <td colspan="2"></td> <td>= ncl:engName</td> <td>Sound Recording Coded Data (General)</td> </tr> </table> </td> </tr> <tr> <td colspan="2"></td> <td colspan="2"> <table border="1"> <tr> <td colspan="2">xsd:element</td> <td>= name</td> <td>_b</td> </tr> <tr> <td colspan="2"></td> <td>= type</td> <td>tag126bFieldType</td> </tr> <tr> <td colspan="2"></td> <td>= minOccurs</td> <td>0</td> </tr> <tr> <td colspan="2"></td> <td>= ncl:chiName</td> <td>錄音資料代碼 (詳細資料)</td> </tr> <tr> <td colspan="2"></td> <td>= ncl:engName</td> <td>Sound Recording Coded Data (Detail)</td> </tr> </table> </td> </tr> </table> </td> </tr> <tr> <td colspan="2">xsd:attribute</td> <td>= name</td> <td>ind1</td> </tr> <tr> <td colspan="2"></td> <td>= use</td> <td>required</td> </tr> <tr> <td colspan="2"></td> <td>= fixed</td> <td></td> </tr> <tr> <td colspan="2">xsd:attribute</td> <td>= name</td> <td>ind2</td> </tr> <tr> <td colspan="2"></td> <td>= use</td> <td>required</td> </tr> <tr> <td colspan="2"></td> <td>= fixed</td> <td></td> </tr> <tr> <td colspan="4"> <table border="1"> <tr> <td colspan="2">xsd:simpleType</td> <td>= name</td> <td>tag126aFieldType</td> </tr> <tr> <td colspan="4"> <table border="1"> <tr> <td colspan="2">xsd:restriction</td> <td>= base</td> <td>xsd:string</td> </tr> <tr> <td colspan="2">xsd:length</td> <td>= value</td> <td>15</td> </tr> <tr> <td colspan="2">xsd:pattern</td> <td>= value</td> <td>[a-z]</td> </tr> </table> </td> </tr> </table> </td> </tr> <tr> <td colspan="4"> <table border="1"> <tr> <td colspan="2">xsd:simpleType</td> <td>= name</td> <td>tag126aFieldType</td> </tr> <tr> <td colspan="4"> <table border="1"> <tr> <td colspan="2">xsd:restriction</td> <td>= base</td> <td>xsd:string</td> </tr> <tr> <td colspan="2">xsd:length</td> <td>= value</td> <td>15</td> </tr> <tr> <td colspan="2">xsd:pattern</td> <td>= value</td> <td>[a-z]</td> </tr> </table> </td> </tr> </table> </td> </tr> </table>				xsd:complexType		= name	tag126Type			= id	126Type	<table border="1"> <tr> <td colspan="2">xsd:sequence</td> <td colspan="2"> <table border="1"> <tr> <td colspan="2">xsd:element</td> <td>= name</td> <td>a</td> </tr> <tr> <td colspan="2"></td> <td>= type</td> <td>tag126aFieldType</td> </tr> <tr> <td colspan="2"></td> <td>= minOccurs</td> <td>0</td> </tr> <tr> <td colspan="2"></td> <td>= maxOccurs</td> <td>unbounded</td> </tr> <tr> <td colspan="2"></td> <td>= ncl:chiName</td> <td>錄音資料代碼 (一般性)</td> </tr> <tr> <td colspan="2"></td> <td>= ncl:engName</td> <td>Sound Recording Coded Data (General)</td> </tr> </table> </td> </tr> <tr> <td colspan="2"></td> <td colspan="2"> <table border="1"> <tr> <td colspan="2">xsd:element</td> <td>= name</td> <td>_b</td> </tr> <tr> <td colspan="2"></td> <td>= type</td> <td>tag126bFieldType</td> </tr> <tr> <td colspan="2"></td> <td>= minOccurs</td> <td>0</td> </tr> <tr> <td colspan="2"></td> <td>= ncl:chiName</td> <td>錄音資料代碼 (詳細資料)</td> </tr> <tr> <td colspan="2"></td> <td>= ncl:engName</td> <td>Sound Recording Coded Data (Detail)</td> </tr> </table> </td> </tr> </table>				xsd:sequence		<table border="1"> <tr> <td colspan="2">xsd:element</td> <td>= name</td> <td>a</td> </tr> <tr> <td colspan="2"></td> <td>= type</td> <td>tag126aFieldType</td> </tr> <tr> <td colspan="2"></td> <td>= minOccurs</td> <td>0</td> </tr> <tr> <td colspan="2"></td> <td>= maxOccurs</td> <td>unbounded</td> </tr> <tr> <td colspan="2"></td> <td>= ncl:chiName</td> <td>錄音資料代碼 (一般性)</td> </tr> <tr> <td colspan="2"></td> <td>= ncl:engName</td> <td>Sound Recording Coded Data (General)</td> </tr> </table>		xsd:element		= name	a			= type	tag126aFieldType			= minOccurs	0			= maxOccurs	unbounded			= ncl:chiName	錄音資料代碼 (一般性)			= ncl:engName	Sound Recording Coded Data (General)			<table border="1"> <tr> <td colspan="2">xsd:element</td> <td>= name</td> <td>_b</td> </tr> <tr> <td colspan="2"></td> <td>= type</td> <td>tag126bFieldType</td> </tr> <tr> <td colspan="2"></td> <td>= minOccurs</td> <td>0</td> </tr> <tr> <td colspan="2"></td> <td>= ncl:chiName</td> <td>錄音資料代碼 (詳細資料)</td> </tr> <tr> <td colspan="2"></td> <td>= ncl:engName</td> <td>Sound Recording Coded Data (Detail)</td> </tr> </table>		xsd:element		= name	_b			= type	tag126bFieldType			= minOccurs	0			= ncl:chiName	錄音資料代碼 (詳細資料)			= ncl:engName	Sound Recording Coded Data (Detail)	xsd:attribute		= name	ind1			= use	required			= fixed		xsd:attribute		= name	ind2			= use	required			= fixed		<table border="1"> <tr> <td colspan="2">xsd:simpleType</td> <td>= name</td> <td>tag126aFieldType</td> </tr> <tr> <td colspan="4"> <table border="1"> <tr> <td colspan="2">xsd:restriction</td> <td>= base</td> <td>xsd:string</td> </tr> <tr> <td colspan="2">xsd:length</td> <td>= value</td> <td>15</td> </tr> <tr> <td colspan="2">xsd:pattern</td> <td>= value</td> <td>[a-z]</td> </tr> </table> </td> </tr> </table>				xsd:simpleType		= name	tag126aFieldType	<table border="1"> <tr> <td colspan="2">xsd:restriction</td> <td>= base</td> <td>xsd:string</td> </tr> <tr> <td colspan="2">xsd:length</td> <td>= value</td> <td>15</td> </tr> <tr> <td colspan="2">xsd:pattern</td> <td>= value</td> <td>[a-z]</td> </tr> </table>				xsd:restriction		= base	xsd:string	xsd:length		= value	15	xsd:pattern		= value	[a-z]	<table border="1"> <tr> <td colspan="2">xsd:simpleType</td> <td>= name</td> <td>tag126aFieldType</td> </tr> <tr> <td colspan="4"> <table border="1"> <tr> <td colspan="2">xsd:restriction</td> <td>= base</td> <td>xsd:string</td> </tr> <tr> <td colspan="2">xsd:length</td> <td>= value</td> <td>15</td> </tr> <tr> <td colspan="2">xsd:pattern</td> <td>= value</td> <td>[a-z]</td> </tr> </table> </td> </tr> </table>				xsd:simpleType		= name	tag126aFieldType	<table border="1"> <tr> <td colspan="2">xsd:restriction</td> <td>= base</td> <td>xsd:string</td> </tr> <tr> <td colspan="2">xsd:length</td> <td>= value</td> <td>15</td> </tr> <tr> <td colspan="2">xsd:pattern</td> <td>= value</td> <td>[a-z]</td> </tr> </table>				xsd:restriction		= base	xsd:string	xsd:length		= value	15	xsd:pattern		= value	[a-z]
xsd:complexType		= name	tag126Type																																																																																																																																								
		= id	126Type																																																																																																																																								
<table border="1"> <tr> <td colspan="2">xsd:sequence</td> <td colspan="2"> <table border="1"> <tr> <td colspan="2">xsd:element</td> <td>= name</td> <td>a</td> </tr> <tr> <td colspan="2"></td> <td>= type</td> <td>tag126aFieldType</td> </tr> <tr> <td colspan="2"></td> <td>= minOccurs</td> <td>0</td> </tr> <tr> <td colspan="2"></td> <td>= maxOccurs</td> <td>unbounded</td> </tr> <tr> <td colspan="2"></td> <td>= ncl:chiName</td> <td>錄音資料代碼 (一般性)</td> </tr> <tr> <td colspan="2"></td> <td>= ncl:engName</td> <td>Sound Recording Coded Data (General)</td> </tr> </table> </td> </tr> <tr> <td colspan="2"></td> <td colspan="2"> <table border="1"> <tr> <td colspan="2">xsd:element</td> <td>= name</td> <td>_b</td> </tr> <tr> <td colspan="2"></td> <td>= type</td> <td>tag126bFieldType</td> </tr> <tr> <td colspan="2"></td> <td>= minOccurs</td> <td>0</td> </tr> <tr> <td colspan="2"></td> <td>= ncl:chiName</td> <td>錄音資料代碼 (詳細資料)</td> </tr> <tr> <td colspan="2"></td> <td>= ncl:engName</td> <td>Sound Recording Coded Data (Detail)</td> </tr> </table> </td> </tr> </table>				xsd:sequence		<table border="1"> <tr> <td colspan="2">xsd:element</td> <td>= name</td> <td>a</td> </tr> <tr> <td colspan="2"></td> <td>= type</td> <td>tag126aFieldType</td> </tr> <tr> <td colspan="2"></td> <td>= minOccurs</td> <td>0</td> </tr> <tr> <td colspan="2"></td> <td>= maxOccurs</td> <td>unbounded</td> </tr> <tr> <td colspan="2"></td> <td>= ncl:chiName</td> <td>錄音資料代碼 (一般性)</td> </tr> <tr> <td colspan="2"></td> <td>= ncl:engName</td> <td>Sound Recording Coded Data (General)</td> </tr> </table>		xsd:element		= name	a			= type	tag126aFieldType			= minOccurs	0			= maxOccurs	unbounded			= ncl:chiName	錄音資料代碼 (一般性)			= ncl:engName	Sound Recording Coded Data (General)			<table border="1"> <tr> <td colspan="2">xsd:element</td> <td>= name</td> <td>_b</td> </tr> <tr> <td colspan="2"></td> <td>= type</td> <td>tag126bFieldType</td> </tr> <tr> <td colspan="2"></td> <td>= minOccurs</td> <td>0</td> </tr> <tr> <td colspan="2"></td> <td>= ncl:chiName</td> <td>錄音資料代碼 (詳細資料)</td> </tr> <tr> <td colspan="2"></td> <td>= ncl:engName</td> <td>Sound Recording Coded Data (Detail)</td> </tr> </table>		xsd:element		= name	_b			= type	tag126bFieldType			= minOccurs	0			= ncl:chiName	錄音資料代碼 (詳細資料)			= ncl:engName	Sound Recording Coded Data (Detail)																																																																																				
xsd:sequence		<table border="1"> <tr> <td colspan="2">xsd:element</td> <td>= name</td> <td>a</td> </tr> <tr> <td colspan="2"></td> <td>= type</td> <td>tag126aFieldType</td> </tr> <tr> <td colspan="2"></td> <td>= minOccurs</td> <td>0</td> </tr> <tr> <td colspan="2"></td> <td>= maxOccurs</td> <td>unbounded</td> </tr> <tr> <td colspan="2"></td> <td>= ncl:chiName</td> <td>錄音資料代碼 (一般性)</td> </tr> <tr> <td colspan="2"></td> <td>= ncl:engName</td> <td>Sound Recording Coded Data (General)</td> </tr> </table>		xsd:element		= name	a			= type	tag126aFieldType			= minOccurs	0			= maxOccurs	unbounded			= ncl:chiName	錄音資料代碼 (一般性)			= ncl:engName	Sound Recording Coded Data (General)																																																																																																																
xsd:element		= name	a																																																																																																																																								
		= type	tag126aFieldType																																																																																																																																								
		= minOccurs	0																																																																																																																																								
		= maxOccurs	unbounded																																																																																																																																								
		= ncl:chiName	錄音資料代碼 (一般性)																																																																																																																																								
		= ncl:engName	Sound Recording Coded Data (General)																																																																																																																																								
		<table border="1"> <tr> <td colspan="2">xsd:element</td> <td>= name</td> <td>_b</td> </tr> <tr> <td colspan="2"></td> <td>= type</td> <td>tag126bFieldType</td> </tr> <tr> <td colspan="2"></td> <td>= minOccurs</td> <td>0</td> </tr> <tr> <td colspan="2"></td> <td>= ncl:chiName</td> <td>錄音資料代碼 (詳細資料)</td> </tr> <tr> <td colspan="2"></td> <td>= ncl:engName</td> <td>Sound Recording Coded Data (Detail)</td> </tr> </table>		xsd:element		= name	_b			= type	tag126bFieldType			= minOccurs	0			= ncl:chiName	錄音資料代碼 (詳細資料)			= ncl:engName	Sound Recording Coded Data (Detail)																																																																																																																				
xsd:element		= name	_b																																																																																																																																								
		= type	tag126bFieldType																																																																																																																																								
		= minOccurs	0																																																																																																																																								
		= ncl:chiName	錄音資料代碼 (詳細資料)																																																																																																																																								
		= ncl:engName	Sound Recording Coded Data (Detail)																																																																																																																																								
xsd:attribute		= name	ind1																																																																																																																																								
		= use	required																																																																																																																																								
		= fixed																																																																																																																																									
xsd:attribute		= name	ind2																																																																																																																																								
		= use	required																																																																																																																																								
		= fixed																																																																																																																																									
<table border="1"> <tr> <td colspan="2">xsd:simpleType</td> <td>= name</td> <td>tag126aFieldType</td> </tr> <tr> <td colspan="4"> <table border="1"> <tr> <td colspan="2">xsd:restriction</td> <td>= base</td> <td>xsd:string</td> </tr> <tr> <td colspan="2">xsd:length</td> <td>= value</td> <td>15</td> </tr> <tr> <td colspan="2">xsd:pattern</td> <td>= value</td> <td>[a-z]</td> </tr> </table> </td> </tr> </table>				xsd:simpleType		= name	tag126aFieldType	<table border="1"> <tr> <td colspan="2">xsd:restriction</td> <td>= base</td> <td>xsd:string</td> </tr> <tr> <td colspan="2">xsd:length</td> <td>= value</td> <td>15</td> </tr> <tr> <td colspan="2">xsd:pattern</td> <td>= value</td> <td>[a-z]</td> </tr> </table>				xsd:restriction		= base	xsd:string	xsd:length		= value	15	xsd:pattern		= value	[a-z]																																																																																																																				
xsd:simpleType		= name	tag126aFieldType																																																																																																																																								
<table border="1"> <tr> <td colspan="2">xsd:restriction</td> <td>= base</td> <td>xsd:string</td> </tr> <tr> <td colspan="2">xsd:length</td> <td>= value</td> <td>15</td> </tr> <tr> <td colspan="2">xsd:pattern</td> <td>= value</td> <td>[a-z]</td> </tr> </table>				xsd:restriction		= base	xsd:string	xsd:length		= value	15	xsd:pattern		= value	[a-z]																																																																																																																												
xsd:restriction		= base	xsd:string																																																																																																																																								
xsd:length		= value	15																																																																																																																																								
xsd:pattern		= value	[a-z]																																																																																																																																								
<table border="1"> <tr> <td colspan="2">xsd:simpleType</td> <td>= name</td> <td>tag126aFieldType</td> </tr> <tr> <td colspan="4"> <table border="1"> <tr> <td colspan="2">xsd:restriction</td> <td>= base</td> <td>xsd:string</td> </tr> <tr> <td colspan="2">xsd:length</td> <td>= value</td> <td>15</td> </tr> <tr> <td colspan="2">xsd:pattern</td> <td>= value</td> <td>[a-z]</td> </tr> </table> </td> </tr> </table>				xsd:simpleType		= name	tag126aFieldType	<table border="1"> <tr> <td colspan="2">xsd:restriction</td> <td>= base</td> <td>xsd:string</td> </tr> <tr> <td colspan="2">xsd:length</td> <td>= value</td> <td>15</td> </tr> <tr> <td colspan="2">xsd:pattern</td> <td>= value</td> <td>[a-z]</td> </tr> </table>				xsd:restriction		= base	xsd:string	xsd:length		= value	15	xsd:pattern		= value	[a-z]																																																																																																																				
xsd:simpleType		= name	tag126aFieldType																																																																																																																																								
<table border="1"> <tr> <td colspan="2">xsd:restriction</td> <td>= base</td> <td>xsd:string</td> </tr> <tr> <td colspan="2">xsd:length</td> <td>= value</td> <td>15</td> </tr> <tr> <td colspan="2">xsd:pattern</td> <td>= value</td> <td>[a-z]</td> </tr> </table>				xsd:restriction		= base	xsd:string	xsd:length		= value	15	xsd:pattern		= value	[a-z]																																																																																																																												
xsd:restriction		= base	xsd:string																																																																																																																																								
xsd:length		= value	15																																																																																																																																								
xsd:pattern		= value	[a-z]																																																																																																																																								

<table border="1"> <tr><td>name</td><td>tag126bFieldType</td></tr> <tr><td>xsd:restriction</td><td></td></tr> <tr><td>base</td><td>xsd:string</td></tr> <tr><td>xsd:length</td><td>value: 3</td></tr> <tr><td>xsd:pattern</td><td>value: [a-z]</td></tr> </table>		name	tag126bFieldType	xsd:restriction		base	xsd:string	xsd:length	value: 3	xsd:pattern	value: [a-z]																																																								
name	tag126bFieldType																																																																		
xsd:restriction																																																																			
base	xsd:string																																																																		
xsd:length	value: 3																																																																		
xsd:pattern	value: [a-z]																																																																		
<table border="1"> <tr><td colspan="2">xsd:complexType</td></tr> <tr><td>name</td><td>tag127Type</td></tr> <tr><td>id</td><td>127Type</td></tr> <tr><td>xsd:sequence</td><td></td></tr> <tr><td>xsd:element</td><td></td></tr> <tr><td>name</td><td>_a</td></tr> <tr><td>type</td><td>xsd:dateTime</td></tr> <tr><td>maxOccurs</td><td>unbounded</td></tr> <tr><td>ncl:chiName</td><td>時間</td></tr> <tr><td>ncl:engName</td><td>Duration</td></tr> <tr><td>xsd:attribute</td><td></td></tr> <tr><td>name</td><td>ind1</td></tr> <tr><td>use</td><td>required</td></tr> <tr><td>fixed</td><td></td></tr> <tr><td>xsd:attribute</td><td></td></tr> <tr><td>name</td><td>ind2</td></tr> <tr><td>use</td><td>required</td></tr> <tr><td>fixed</td><td></td></tr> </table>		xsd:complexType		name	tag127Type	id	127Type	xsd:sequence		xsd:element		name	_a	type	xsd:dateTime	maxOccurs	unbounded	ncl:chiName	時間	ncl:engName	Duration	xsd:attribute		name	ind1	use	required	fixed		xsd:attribute		name	ind2	use	required	fixed																															
xsd:complexType																																																																			
name	tag127Type																																																																		
id	127Type																																																																		
xsd:sequence																																																																			
xsd:element																																																																			
name	_a																																																																		
type	xsd:dateTime																																																																		
maxOccurs	unbounded																																																																		
ncl:chiName	時間																																																																		
ncl:engName	Duration																																																																		
xsd:attribute																																																																			
name	ind1																																																																		
use	required																																																																		
fixed																																																																			
xsd:attribute																																																																			
name	ind2																																																																		
use	required																																																																		
fixed																																																																			
<table border="1"> <tr><td colspan="2">xsd:complexType</td></tr> <tr><td>name</td><td>tag128Type</td></tr> <tr><td>id</td><td>128Type</td></tr> <tr><td>xsd:sequence</td><td></td></tr> <tr><td>xsd:element</td><td></td></tr> <tr><td>name</td><td>_a</td></tr> <tr><td>type</td><td>tag128aFieldType</td></tr> <tr><td>minOccurs</td><td>0</td></tr> <tr><td>maxOccurs</td><td>unbounded</td></tr> <tr><td>ncl:chiName</td><td>作曲形式 (音樂演奏或樂譜)</td></tr> <tr><td>ncl:engName</td><td>Form of Composition</td></tr> <tr><td>xsd:element</td><td></td></tr> <tr><td>name</td><td>_b</td></tr> <tr><td>type</td><td>tag128FieldType</td></tr> <tr><td>minOccurs</td><td>0</td></tr> <tr><td>maxOccurs</td><td>unbounded</td></tr> <tr><td>ncl:chiName</td><td>合奏或合唱 (音樂演奏或樂譜)</td></tr> <tr><td>ncl:engName</td><td>Instruments or Voices for Ensemble</td></tr> <tr><td>xsd:element</td><td></td></tr> <tr><td>name</td><td>_c</td></tr> <tr><td>type</td><td>tag128FieldType</td></tr> <tr><td>minOccurs</td><td>0</td></tr> <tr><td>maxOccurs</td><td>unbounded</td></tr> <tr><td>ncl:chiName</td><td>獨奏或獨唱 (音樂演奏或樂譜)</td></tr> <tr><td>ncl:engName</td><td>Instruments or Voices for Soloists</td></tr> <tr><td>xsd:attribute</td><td></td></tr> <tr><td>name</td><td>ind1</td></tr> <tr><td>use</td><td>required</td></tr> <tr><td>fixed</td><td></td></tr> <tr><td>xsd:attribute</td><td></td></tr> <tr><td>name</td><td>ind2</td></tr> <tr><td>use</td><td>required</td></tr> <tr><td>fixed</td><td></td></tr> </table>		xsd:complexType		name	tag128Type	id	128Type	xsd:sequence		xsd:element		name	_a	type	tag128aFieldType	minOccurs	0	maxOccurs	unbounded	ncl:chiName	作曲形式 (音樂演奏或樂譜)	ncl:engName	Form of Composition	xsd:element		name	_b	type	tag128FieldType	minOccurs	0	maxOccurs	unbounded	ncl:chiName	合奏或合唱 (音樂演奏或樂譜)	ncl:engName	Instruments or Voices for Ensemble	xsd:element		name	_c	type	tag128FieldType	minOccurs	0	maxOccurs	unbounded	ncl:chiName	獨奏或獨唱 (音樂演奏或樂譜)	ncl:engName	Instruments or Voices for Soloists	xsd:attribute		name	ind1	use	required	fixed		xsd:attribute		name	ind2	use	required	fixed	
xsd:complexType																																																																			
name	tag128Type																																																																		
id	128Type																																																																		
xsd:sequence																																																																			
xsd:element																																																																			
name	_a																																																																		
type	tag128aFieldType																																																																		
minOccurs	0																																																																		
maxOccurs	unbounded																																																																		
ncl:chiName	作曲形式 (音樂演奏或樂譜)																																																																		
ncl:engName	Form of Composition																																																																		
xsd:element																																																																			
name	_b																																																																		
type	tag128FieldType																																																																		
minOccurs	0																																																																		
maxOccurs	unbounded																																																																		
ncl:chiName	合奏或合唱 (音樂演奏或樂譜)																																																																		
ncl:engName	Instruments or Voices for Ensemble																																																																		
xsd:element																																																																			
name	_c																																																																		
type	tag128FieldType																																																																		
minOccurs	0																																																																		
maxOccurs	unbounded																																																																		
ncl:chiName	獨奏或獨唱 (音樂演奏或樂譜)																																																																		
ncl:engName	Instruments or Voices for Soloists																																																																		
xsd:attribute																																																																			
name	ind1																																																																		
use	required																																																																		
fixed																																																																			
xsd:attribute																																																																			
name	ind2																																																																		
use	required																																																																		
fixed																																																																			
<table border="1"> <tr><td colspan="2">xsd:simpleType</td></tr> <tr><td>name</td><td>tag128aFieldType</td></tr> </table>		xsd:simpleType		name	tag128aFieldType																																																														
xsd:simpleType																																																																			
name	tag128aFieldType																																																																		

xsd:restriction		= base	xsd:string
xsd:restriction		xsd:length	= value 2
xsd:restriction		xsd:pattern	= value [a-z]
xsd:simpleType			
xsd:simpleType		= name	tag128FieldType
xsd:restriction		= base	xsd:string
xsd:restriction		xsd:maxLength	= value 4
xsd:restriction		xsd:pattern	= value [a-z]
xsd:complexType			
xsd:complexType		= name	tag129Type
xsd:complexType		= id	129Type
xsd:sequence		xsd:element	
xsd:element		= name	_a
xsd:element		= type	tag129FieldType
xsd:element		= nclchiName	拓片之資料代碼
xsd:element		= nclengName	Rubbing material coded data
xsd:attribute		= name	ind1
xsd:attribute		= use	required
xsd:attribute		= fixed	
xsd:attribute		= name	ind2
xsd:attribute		= use	required
xsd:attribute		= fixed	
xsd:simpleType			
xsd:simpleType		= name	tag129FieldType
xsd:restriction		= base	xsd:string
xsd:restriction		xsd:length	= value 7
xsd:restriction		xsd:pattern	= value [a-z]
xsd:complexType			
xsd:complexType		= name	tag130Type
xsd:complexType		= id	130Type
xsd:sequence		xsd:element	
xsd:element		= name	a
xsd:element		= type	tag130FieldType
xsd:element		= maxOccurs	unbounded
xsd:element		= nclchiName	微縮資料形式特性
xsd:element		= nclengName	Microform Coded Data - Physical Attributes
xsd:attribute		= name	ind1
xsd:attribute		= use	required
xsd:attribute		= fixed	
xsd:attribute		= name	ind2
xsd:attribute		= use	required
xsd:attribute		= fixed	
xsd:simpleType			
xsd:simpleType		= name	tag130FieldType
xsd:restriction		= base	xsd:string
xsd:restriction		xsd:length	= value 11

		xsd:pattern	
		value	[a-z]
xsd:complexType			
name		tag131Type	
id		I31Type	
xsd:sequence			
xsd:element			
name		_a	
type		tag131FieldType	
minOccurs		0	
maxOccurs		unbounded	
ncl:chiName		球形體	
ncl:engName		Spheroid	
xsd:element			
name		_b	
type		tag131FieldType	
minOccurs		0	
maxOccurs		unbounded	
ncl:chiName		水平基準面	
ncl:engName		Horizontal Datum	
xsd:element			
name		_c	
type		tag131FieldType	
minOccurs		0	
maxOccurs		unbounded	
ncl:chiName		主要網格與座標系統	
ncl:engName		Grid and Referencing System	
xsd:element			
name		_d	
type		tag131FieldType	
minOccurs		0	
maxOccurs		unbounded	
ncl:chiName		重疊與座標系統	
ncl:engName		Overlapping and Referencing System	
xsd:element			
name		_e	
type		tag131FieldType	
minOccurs		0	
maxOccurs		unbounded	
ncl:chiName		次級網格與座標系統	
ncl:engName			
xsd:element			
name		_f	
type		tag131FieldType	
minOccurs		0	
maxOccurs		unbounded	
ncl:chiName		垂直基準面	
ncl:engName		Vertical Datum	
xsd:element			
name		_g	
type		tag131FieldType	
minOccurs		0	
maxOccurs		unbounded	
ncl:chiName		高程測量單位	
ncl:engName		Unit of Measurement of Heighting	
xsd:element			
name		_h	
type		tag131hFieldType	
minOccurs		0	
maxOccurs		unbounded	
ncl:chiName		等高線間距	

		ncl:engName	Contour Interval																								
<table border="1"> <tr> <td colspan="2">xsd:element</td> <td>name</td> <td>_i</td> </tr> <tr> <td colspan="2"></td> <td>type</td> <td>tag131FieldType</td> </tr> <tr> <td colspan="2"></td> <td>minOccurs</td> <td>0</td> </tr> <tr> <td colspan="2"></td> <td>maxOccurs</td> <td>unbounded</td> </tr> <tr> <td colspan="2"></td> <td>ncl:chiName</td> <td>助曲線間距</td> </tr> <tr> <td colspan="2"></td> <td>ncl:engName</td> <td>Supplementary Contour Interval</td> </tr> </table>				xsd:element		name	_i			type	tag131FieldType			minOccurs	0			maxOccurs	unbounded			ncl:chiName	助曲線間距			ncl:engName	Supplementary Contour Interval
xsd:element		name	_i																								
		type	tag131FieldType																								
		minOccurs	0																								
		maxOccurs	unbounded																								
		ncl:chiName	助曲線間距																								
		ncl:engName	Supplementary Contour Interval																								
<table border="1"> <tr> <td colspan="2">xsd:element</td> <td>name</td> <td>_j</td> </tr> <tr> <td colspan="2"></td> <td>type</td> <td>tag131hFieldType</td> </tr> <tr> <td colspan="2"></td> <td>minOccurs</td> <td>0</td> </tr> <tr> <td colspan="2"></td> <td>maxOccurs</td> <td>unbounded</td> </tr> <tr> <td colspan="2"></td> <td>ncl:chiName</td> <td>海深測量單位</td> </tr> <tr> <td colspan="2"></td> <td>ncl:engName</td> <td>Unit Measurement of Bathymetry</td> </tr> </table>				xsd:element		name	_j			type	tag131hFieldType			minOccurs	0			maxOccurs	unbounded			ncl:chiName	海深測量單位			ncl:engName	Unit Measurement of Bathymetry
xsd:element		name	_j																								
		type	tag131hFieldType																								
		minOccurs	0																								
		maxOccurs	unbounded																								
		ncl:chiName	海深測量單位																								
		ncl:engName	Unit Measurement of Bathymetry																								
<table border="1"> <tr> <td colspan="2">xsd:element</td> <td>name</td> <td>_k</td> </tr> <tr> <td colspan="2"></td> <td>type</td> <td>tag131hFieldType</td> </tr> <tr> <td colspan="2"></td> <td>minOccurs</td> <td>0</td> </tr> <tr> <td colspan="2"></td> <td>maxOccurs</td> <td>unbounded</td> </tr> <tr> <td colspan="2"></td> <td>ncl:chiName</td> <td>等深線間距</td> </tr> <tr> <td colspan="2"></td> <td>ncl:engName</td> <td>Bathymetric Interval</td> </tr> </table>				xsd:element		name	_k			type	tag131hFieldType			minOccurs	0			maxOccurs	unbounded			ncl:chiName	等深線間距			ncl:engName	Bathymetric Interval
xsd:element		name	_k																								
		type	tag131hFieldType																								
		minOccurs	0																								
		maxOccurs	unbounded																								
		ncl:chiName	等深線間距																								
		ncl:engName	Bathymetric Interval																								
<table border="1"> <tr> <td colspan="2">xsd:element</td> <td>name</td> <td>_l</td> </tr> <tr> <td colspan="2"></td> <td>type</td> <td>tag131hFieldType</td> </tr> <tr> <td colspan="2"></td> <td>minOccurs</td> <td>0</td> </tr> <tr> <td colspan="2"></td> <td>maxOccurs</td> <td>unbounded</td> </tr> <tr> <td colspan="2"></td> <td>ncl:chiName</td> <td>助等深線間距</td> </tr> <tr> <td colspan="2"></td> <td>ncl:engName</td> <td>Supplementary Bathymetric Interval</td> </tr> </table>				xsd:element		name	_l			type	tag131hFieldType			minOccurs	0			maxOccurs	unbounded			ncl:chiName	助等深線間距			ncl:engName	Supplementary Bathymetric Interval
xsd:element		name	_l																								
		type	tag131hFieldType																								
		minOccurs	0																								
		maxOccurs	unbounded																								
		ncl:chiName	助等深線間距																								
		ncl:engName	Supplementary Bathymetric Interval																								
xsd:attribute		name	ind1																								
		use	required																								
		fixed																									
xsd:attribute		name	ind2																								
		use	required																								
		fixed																									
xsd:simpleType		name	tag131FieldType																								
		xsd:restriction																									
		base	xsd:string																								
		xsd:length																									
		value	2																								
		xsd:pattern																									
		value	[a-z]																								
xsd:simpleType		name	tag131hFieldType																								
		xsd:restriction																									
		base	xsd:string																								
		xsd:length																									
		value	4																								
		xsd:pattern																									
		value	[a-z]																								
xsd:complexType		name	tag135Type																								
		id	135Type																								
		xsd:sequence																									
		xsd:element																									
		name	_a																								
		type	tag135FieldType																								
		minOccurs	0																								
		ncl:chiName	電腦檔資料代碼																								

		nclengName	Coded Data for Electronic Resources																																																																																										
<table border="1"> <tr> <td colspan="2">xsd:attribute</td> </tr> <tr> <td>name</td> <td>ind1</td> </tr> <tr> <td>use</td> <td>required</td> </tr> <tr> <td>fixed</td> <td></td> </tr> </table>	xsd:attribute		name	ind1	use	required	fixed																																																																																						
xsd:attribute																																																																																													
name	ind1																																																																																												
use	required																																																																																												
fixed																																																																																													
<table border="1"> <tr> <td colspan="2">xsd:attribute</td> </tr> <tr> <td>name</td> <td>ind2</td> </tr> <tr> <td>use</td> <td>required</td> </tr> <tr> <td>fixed</td> <td></td> </tr> </table>	xsd:attribute		name	ind2	use	required	fixed																																																																																						
xsd:attribute																																																																																													
name	ind2																																																																																												
use	required																																																																																												
fixed																																																																																													
<table border="1"> <tr> <td colspan="2">xsd:simpleType</td> </tr> <tr> <td>name</td> <td>tag135FieldType</td> </tr> <tr> <td colspan="2">xsd:restriction</td> </tr> <tr> <td>base</td> <td>xsd:string</td> </tr> <tr> <td>xsd:length</td> <td>value 1</td> </tr> <tr> <td>xsd:pattern</td> <td>value [a-z]</td> </tr> </table>	xsd:simpleType		name	tag135FieldType	xsd:restriction		base	xsd:string	xsd:length	value 1	xsd:pattern	value [a-z]																																																																																	
xsd:simpleType																																																																																													
name	tag135FieldType																																																																																												
xsd:restriction																																																																																													
base	xsd:string																																																																																												
xsd:length	value 1																																																																																												
xsd:pattern	value [a-z]																																																																																												
<table border="1"> <tr> <td colspan="2">Comment</td> </tr> <tr> <td colspan="2">2XX 「著錄段」欄位內容宣告</td> </tr> </table>	Comment		2XX 「著錄段」欄位內容宣告																																																																																										
Comment																																																																																													
2XX 「著錄段」欄位內容宣告																																																																																													
<table border="1"> <tr> <td colspan="2">xsd:complexType</td> </tr> <tr> <td>name</td> <td>tag200Type</td> </tr> <tr> <td>id</td> <td>200Type</td> </tr> <tr> <td colspan="2">xsd:sequence</td> </tr> <tr> <td colspan="2"> <table border="1"> <tr> <td colspan="2">xsd:element</td> </tr> <tr> <td>name</td> <td>_a</td> </tr> <tr> <td>maxOccurs</td> <td>unbounded</td> </tr> <tr> <td>nclchiName</td> <td>正題名</td> </tr> <tr> <td>nclengName</td> <td>Title Proper</td> </tr> </table> </td> </tr> <tr> <td colspan="2"> <table border="1"> <tr> <td colspan="2">xsd:element</td> </tr> <tr> <td>name</td> <td>_c</td> </tr> <tr> <td>minOccurs</td> <td>0</td> </tr> <tr> <td>maxOccurs</td> <td>unbounded</td> </tr> <tr> <td>nclchiName</td> <td>合刊本其他著者之作品</td> </tr> <tr> <td>nclengName</td> <td>Title Proper by Another Author</td> </tr> </table> </td> </tr> <tr> <td colspan="2"> <table border="1"> <tr> <td colspan="2">xsd:element</td> </tr> <tr> <td>name</td> <td>_d</td> </tr> <tr> <td>minOccurs</td> <td>0</td> </tr> <tr> <td>maxOccurs</td> <td>unbounded</td> </tr> <tr> <td>nclchiName</td> <td>並列題名</td> </tr> <tr> <td>nclengName</td> <td>Parallel Title Proper</td> </tr> </table> </td> </tr> <tr> <td colspan="2"> <table border="1"> <tr> <td colspan="2">xsd:element</td> </tr> <tr> <td>name</td> <td>_e</td> </tr> <tr> <td>minOccurs</td> <td>0</td> </tr> <tr> <td>maxOccurs</td> <td>unbounded</td> </tr> <tr> <td>nclchiName</td> <td>副題名及其他題名資料</td> </tr> <tr> <td>nclengName</td> <td>Other Title Information</td> </tr> </table> </td> </tr> <tr> <td colspan="2"> <table border="1"> <tr> <td colspan="2">xsd:element</td> </tr> <tr> <td>name</td> <td>f</td> </tr> <tr> <td>minOccurs</td> <td>0</td> </tr> <tr> <td>maxOccurs</td> <td>unbounded</td> </tr> <tr> <td>nclchiName</td> <td>第一著者敘述</td> </tr> <tr> <td>nclengName</td> <td>First Statement of Responsibility</td> </tr> </table> </td> </tr> <tr> <td colspan="2"> <table border="1"> <tr> <td colspan="2">xsd:element</td> </tr> <tr> <td>name</td> <td>g</td> </tr> <tr> <td>minOccurs</td> <td>0</td> </tr> <tr> <td>maxOccurs</td> <td>unbounded</td> </tr> <tr> <td>nclchiName</td> <td>第二及依次之著者敘述</td> </tr> <tr> <td>nclengName</td> <td>Subsequent Statement of Responsibility</td> </tr> </table> </td> </tr> </table>	xsd:complexType		name	tag200Type	id	200Type	xsd:sequence		<table border="1"> <tr> <td colspan="2">xsd:element</td> </tr> <tr> <td>name</td> <td>_a</td> </tr> <tr> <td>maxOccurs</td> <td>unbounded</td> </tr> <tr> <td>nclchiName</td> <td>正題名</td> </tr> <tr> <td>nclengName</td> <td>Title Proper</td> </tr> </table>		xsd:element		name	_a	maxOccurs	unbounded	nclchiName	正題名	nclengName	Title Proper	<table border="1"> <tr> <td colspan="2">xsd:element</td> </tr> <tr> <td>name</td> <td>_c</td> </tr> <tr> <td>minOccurs</td> <td>0</td> </tr> <tr> <td>maxOccurs</td> <td>unbounded</td> </tr> <tr> <td>nclchiName</td> <td>合刊本其他著者之作品</td> </tr> <tr> <td>nclengName</td> <td>Title Proper by Another Author</td> </tr> </table>		xsd:element		name	_c	minOccurs	0	maxOccurs	unbounded	nclchiName	合刊本其他著者之作品	nclengName	Title Proper by Another Author	<table border="1"> <tr> <td colspan="2">xsd:element</td> </tr> <tr> <td>name</td> <td>_d</td> </tr> <tr> <td>minOccurs</td> <td>0</td> </tr> <tr> <td>maxOccurs</td> <td>unbounded</td> </tr> <tr> <td>nclchiName</td> <td>並列題名</td> </tr> <tr> <td>nclengName</td> <td>Parallel Title Proper</td> </tr> </table>		xsd:element		name	_d	minOccurs	0	maxOccurs	unbounded	nclchiName	並列題名	nclengName	Parallel Title Proper	<table border="1"> <tr> <td colspan="2">xsd:element</td> </tr> <tr> <td>name</td> <td>_e</td> </tr> <tr> <td>minOccurs</td> <td>0</td> </tr> <tr> <td>maxOccurs</td> <td>unbounded</td> </tr> <tr> <td>nclchiName</td> <td>副題名及其他題名資料</td> </tr> <tr> <td>nclengName</td> <td>Other Title Information</td> </tr> </table>		xsd:element		name	_e	minOccurs	0	maxOccurs	unbounded	nclchiName	副題名及其他題名資料	nclengName	Other Title Information	<table border="1"> <tr> <td colspan="2">xsd:element</td> </tr> <tr> <td>name</td> <td>f</td> </tr> <tr> <td>minOccurs</td> <td>0</td> </tr> <tr> <td>maxOccurs</td> <td>unbounded</td> </tr> <tr> <td>nclchiName</td> <td>第一著者敘述</td> </tr> <tr> <td>nclengName</td> <td>First Statement of Responsibility</td> </tr> </table>		xsd:element		name	f	minOccurs	0	maxOccurs	unbounded	nclchiName	第一著者敘述	nclengName	First Statement of Responsibility	<table border="1"> <tr> <td colspan="2">xsd:element</td> </tr> <tr> <td>name</td> <td>g</td> </tr> <tr> <td>minOccurs</td> <td>0</td> </tr> <tr> <td>maxOccurs</td> <td>unbounded</td> </tr> <tr> <td>nclchiName</td> <td>第二及依次之著者敘述</td> </tr> <tr> <td>nclengName</td> <td>Subsequent Statement of Responsibility</td> </tr> </table>		xsd:element		name	g	minOccurs	0	maxOccurs	unbounded	nclchiName	第二及依次之著者敘述	nclengName	Subsequent Statement of Responsibility			
xsd:complexType																																																																																													
name	tag200Type																																																																																												
id	200Type																																																																																												
xsd:sequence																																																																																													
<table border="1"> <tr> <td colspan="2">xsd:element</td> </tr> <tr> <td>name</td> <td>_a</td> </tr> <tr> <td>maxOccurs</td> <td>unbounded</td> </tr> <tr> <td>nclchiName</td> <td>正題名</td> </tr> <tr> <td>nclengName</td> <td>Title Proper</td> </tr> </table>		xsd:element		name	_a	maxOccurs	unbounded	nclchiName	正題名	nclengName	Title Proper																																																																																		
xsd:element																																																																																													
name	_a																																																																																												
maxOccurs	unbounded																																																																																												
nclchiName	正題名																																																																																												
nclengName	Title Proper																																																																																												
<table border="1"> <tr> <td colspan="2">xsd:element</td> </tr> <tr> <td>name</td> <td>_c</td> </tr> <tr> <td>minOccurs</td> <td>0</td> </tr> <tr> <td>maxOccurs</td> <td>unbounded</td> </tr> <tr> <td>nclchiName</td> <td>合刊本其他著者之作品</td> </tr> <tr> <td>nclengName</td> <td>Title Proper by Another Author</td> </tr> </table>		xsd:element		name	_c	minOccurs	0	maxOccurs	unbounded	nclchiName	合刊本其他著者之作品	nclengName	Title Proper by Another Author																																																																																
xsd:element																																																																																													
name	_c																																																																																												
minOccurs	0																																																																																												
maxOccurs	unbounded																																																																																												
nclchiName	合刊本其他著者之作品																																																																																												
nclengName	Title Proper by Another Author																																																																																												
<table border="1"> <tr> <td colspan="2">xsd:element</td> </tr> <tr> <td>name</td> <td>_d</td> </tr> <tr> <td>minOccurs</td> <td>0</td> </tr> <tr> <td>maxOccurs</td> <td>unbounded</td> </tr> <tr> <td>nclchiName</td> <td>並列題名</td> </tr> <tr> <td>nclengName</td> <td>Parallel Title Proper</td> </tr> </table>		xsd:element		name	_d	minOccurs	0	maxOccurs	unbounded	nclchiName	並列題名	nclengName	Parallel Title Proper																																																																																
xsd:element																																																																																													
name	_d																																																																																												
minOccurs	0																																																																																												
maxOccurs	unbounded																																																																																												
nclchiName	並列題名																																																																																												
nclengName	Parallel Title Proper																																																																																												
<table border="1"> <tr> <td colspan="2">xsd:element</td> </tr> <tr> <td>name</td> <td>_e</td> </tr> <tr> <td>minOccurs</td> <td>0</td> </tr> <tr> <td>maxOccurs</td> <td>unbounded</td> </tr> <tr> <td>nclchiName</td> <td>副題名及其他題名資料</td> </tr> <tr> <td>nclengName</td> <td>Other Title Information</td> </tr> </table>		xsd:element		name	_e	minOccurs	0	maxOccurs	unbounded	nclchiName	副題名及其他題名資料	nclengName	Other Title Information																																																																																
xsd:element																																																																																													
name	_e																																																																																												
minOccurs	0																																																																																												
maxOccurs	unbounded																																																																																												
nclchiName	副題名及其他題名資料																																																																																												
nclengName	Other Title Information																																																																																												
<table border="1"> <tr> <td colspan="2">xsd:element</td> </tr> <tr> <td>name</td> <td>f</td> </tr> <tr> <td>minOccurs</td> <td>0</td> </tr> <tr> <td>maxOccurs</td> <td>unbounded</td> </tr> <tr> <td>nclchiName</td> <td>第一著者敘述</td> </tr> <tr> <td>nclengName</td> <td>First Statement of Responsibility</td> </tr> </table>		xsd:element		name	f	minOccurs	0	maxOccurs	unbounded	nclchiName	第一著者敘述	nclengName	First Statement of Responsibility																																																																																
xsd:element																																																																																													
name	f																																																																																												
minOccurs	0																																																																																												
maxOccurs	unbounded																																																																																												
nclchiName	第一著者敘述																																																																																												
nclengName	First Statement of Responsibility																																																																																												
<table border="1"> <tr> <td colspan="2">xsd:element</td> </tr> <tr> <td>name</td> <td>g</td> </tr> <tr> <td>minOccurs</td> <td>0</td> </tr> <tr> <td>maxOccurs</td> <td>unbounded</td> </tr> <tr> <td>nclchiName</td> <td>第二及依次之著者敘述</td> </tr> <tr> <td>nclengName</td> <td>Subsequent Statement of Responsibility</td> </tr> </table>		xsd:element		name	g	minOccurs	0	maxOccurs	unbounded	nclchiName	第二及依次之著者敘述	nclengName	Subsequent Statement of Responsibility																																																																																
xsd:element																																																																																													
name	g																																																																																												
minOccurs	0																																																																																												
maxOccurs	unbounded																																																																																												
nclchiName	第二及依次之著者敘述																																																																																												
nclengName	Subsequent Statement of Responsibility																																																																																												

xsd:element	
name	_h
minOccurs	0
maxOccurs	unbounded
ncl:chiName	編次
ncl:engName	Number of a part
xsd:element	
name	_i
minOccurs	0
maxOccurs	unbounded
ncl:chiName	編次名稱
ncl:engName	Name of a part
xsd:element	
name	_p
minOccurs	0
ncl:chiName	卷數
ncl:engName	Number of Chuan
xsd:element	
name	_v
minOccurs	0
ncl:chiName	冊次號
ncl:engName	Volume Designation
xsd:element	
name	_z
minOccurs	0
maxOccurs	unbounded
ncl:chiName	並列題名之語文
ncl:engName	Language of Parallel Title Proper
xsd:element	
name	_r
minOccurs	0
maxOccurs	unbounded
ncl:chiName	題名之羅馬拼音
ncl:engName	Romani zation of Title Proper
xsd:attribute	
name	ind1
type	indicatorDataType
use	required
xsd:attribute	
name	ind2
use	required
fixed	
xsd:complexType	
name	tag204Type
id	204Type
xsd:sequence	
xsd:element	
name	_a
ncl:chiName	資料類型標示
ncl:engName	General Material Designation
xsd:attribute	
name	ind1
type	indicatorDataType
use	required
xsd:attribute	
name	ind2
use	required
fixed	
xsd:complexType	
name	tag205Type
id	205Type

xsd:sequence

xsd:element

name	_a
nclchiName	版本敘述
nclengName	Edition Statement

xsd:element

name	_b
minOccurs	0
maxOccurs	unbounded
nclchiName	版本其他名稱敘述
nclengName	Issue Statement

xsd:element

name	_d
minOccurs	0
maxOccurs	unbounded
nclchiName	並列版敘述
nclengName	Parallel Edition Statement

xsd:element

name	_f
minOccurs	0
maxOccurs	unbounded
nclchiName	版本之第一著者敘述
nclengName	Statement of Responsibility Relating to Edition

xsd:element

name	_g
minOccurs	0
maxOccurs	unbounded
nclchiName	版本之第二及依次之著者敘述
nclengName	Subsequent Statement of Responsibility

xsd:attribute

name	ind1
use	required
fixed	

xsd:attribute

name	ind2
use	required
fixed	

xsd:complexType

name	tag206Type
id	206Type

xsd:sequence

xsd:element

name	_a
nclchiName	製圖細節
nclengName	Mathematical Data Statement

xsd:attribute

name	ind1
type	indicatorDataType
use	required

xsd:attribute

name	ind2
use	required
fixed	

xsd:complexType

name	tag207Type
id	207Type

xsd:sequence

xsd:element

name	_a
------	----

		maxOccurs	unbounded																																							
		nclchiName	卷期、年份編次																																							
		nclengName	Numbering : Dates and Volume Designations																																							
<table border="1"> <tr> <td colspan="2">xsd:element</td> <td>name</td> <td>_z</td> </tr> <tr> <td colspan="2"></td> <td>minOccurs</td> <td>0</td> </tr> <tr> <td colspan="2"></td> <td>nclchiName</td> <td>卷期編次來源</td> </tr> <tr> <td colspan="2"></td> <td>nclengName</td> <td>Source of Numbering Information</td> </tr> </table>		xsd:element		name	_z			minOccurs	0			nclchiName	卷期編次來源			nclengName	Source of Numbering Information																									
xsd:element		name	_z																																							
		minOccurs	0																																							
		nclchiName	卷期編次來源																																							
		nclengName	Source of Numbering Information																																							
<table border="1"> <tr> <td colspan="2">xsd:attribute</td> <td>name</td> <td>ind1</td> </tr> <tr> <td colspan="2"></td> <td>use</td> <td>required</td> </tr> <tr> <td colspan="2"></td> <td>fixed</td> <td></td> </tr> </table>		xsd:attribute		name	ind1			use	required			fixed																														
xsd:attribute		name	ind1																																							
		use	required																																							
		fixed																																								
<table border="1"> <tr> <td colspan="2">xsd:attribute</td> <td>name</td> <td>ind2</td> </tr> <tr> <td colspan="2"></td> <td>type</td> <td>indicatorDataType</td> </tr> <tr> <td colspan="2"></td> <td>use</td> <td>required</td> </tr> </table>		xsd:attribute		name	ind2			type	indicatorDataType			use	required																													
xsd:attribute		name	ind2																																							
		type	indicatorDataType																																							
		use	required																																							
xsd:complexType		name	tag208Type																																							
		id	208Type																																							
<table border="1"> <tr> <td colspan="2">xsd:sequence</td> <td colspan="2"> <table border="1"> <tr> <td colspan="2">xsd:element</td> <td>name</td> <td>_a</td> </tr> <tr> <td colspan="2"></td> <td>nclchiName</td> <td>樂譜</td> </tr> <tr> <td colspan="2"></td> <td>nclengName</td> <td>Printed Music Specific Statement</td> </tr> </table> </td> </tr> <tr> <td colspan="2"></td> <td colspan="2"> <table border="1"> <tr> <td colspan="2">xsd:element</td> <td>name</td> <td>b</td> </tr> <tr> <td colspan="2"></td> <td>minOccurs</td> <td>0</td> </tr> <tr> <td colspan="2"></td> <td>maxOccurs</td> <td>unbounded</td> </tr> <tr> <td colspan="2"></td> <td>nclchiName</td> <td>並列樂譜形式</td> </tr> <tr> <td colspan="2"></td> <td>nclengName</td> <td>Parallel Printed Music Specific Statement(s)</td> </tr> </table> </td> </tr> </table>		xsd:sequence		<table border="1"> <tr> <td colspan="2">xsd:element</td> <td>name</td> <td>_a</td> </tr> <tr> <td colspan="2"></td> <td>nclchiName</td> <td>樂譜</td> </tr> <tr> <td colspan="2"></td> <td>nclengName</td> <td>Printed Music Specific Statement</td> </tr> </table>		xsd:element		name	_a			nclchiName	樂譜			nclengName	Printed Music Specific Statement			<table border="1"> <tr> <td colspan="2">xsd:element</td> <td>name</td> <td>b</td> </tr> <tr> <td colspan="2"></td> <td>minOccurs</td> <td>0</td> </tr> <tr> <td colspan="2"></td> <td>maxOccurs</td> <td>unbounded</td> </tr> <tr> <td colspan="2"></td> <td>nclchiName</td> <td>並列樂譜形式</td> </tr> <tr> <td colspan="2"></td> <td>nclengName</td> <td>Parallel Printed Music Specific Statement(s)</td> </tr> </table>		xsd:element		name	b			minOccurs	0			maxOccurs	unbounded			nclchiName	並列樂譜形式			nclengName	Parallel Printed Music Specific Statement(s)	
xsd:sequence		<table border="1"> <tr> <td colspan="2">xsd:element</td> <td>name</td> <td>_a</td> </tr> <tr> <td colspan="2"></td> <td>nclchiName</td> <td>樂譜</td> </tr> <tr> <td colspan="2"></td> <td>nclengName</td> <td>Printed Music Specific Statement</td> </tr> </table>		xsd:element		name	_a			nclchiName	樂譜			nclengName	Printed Music Specific Statement																											
xsd:element		name	_a																																							
		nclchiName	樂譜																																							
		nclengName	Printed Music Specific Statement																																							
		<table border="1"> <tr> <td colspan="2">xsd:element</td> <td>name</td> <td>b</td> </tr> <tr> <td colspan="2"></td> <td>minOccurs</td> <td>0</td> </tr> <tr> <td colspan="2"></td> <td>maxOccurs</td> <td>unbounded</td> </tr> <tr> <td colspan="2"></td> <td>nclchiName</td> <td>並列樂譜形式</td> </tr> <tr> <td colspan="2"></td> <td>nclengName</td> <td>Parallel Printed Music Specific Statement(s)</td> </tr> </table>		xsd:element		name	b			minOccurs	0			maxOccurs	unbounded			nclchiName	並列樂譜形式			nclengName	Parallel Printed Music Specific Statement(s)																			
xsd:element		name	b																																							
		minOccurs	0																																							
		maxOccurs	unbounded																																							
		nclchiName	並列樂譜形式																																							
		nclengName	Parallel Printed Music Specific Statement(s)																																							
<table border="1"> <tr> <td colspan="2">xsd:attribute</td> <td>name</td> <td>ind1</td> </tr> <tr> <td colspan="2"></td> <td>use</td> <td>required</td> </tr> <tr> <td colspan="2"></td> <td>fixed</td> <td></td> </tr> </table>		xsd:attribute		name	ind1			use	required			fixed																														
xsd:attribute		name	ind1																																							
		use	required																																							
		fixed																																								
<table border="1"> <tr> <td colspan="2">xsd:attribute</td> <td>name</td> <td>ind2</td> </tr> <tr> <td colspan="2"></td> <td>use</td> <td>required</td> </tr> <tr> <td colspan="2"></td> <td>fixed</td> <td></td> </tr> </table>		xsd:attribute		name	ind2			use	required			fixed																														
xsd:attribute		name	ind2																																							
		use	required																																							
		fixed																																								
xsd:complexType		name	tag209Type																																							
		id	209Type																																							
<table border="1"> <tr> <td colspan="2">xsd:sequence</td> <td colspan="2"> <table border="1"> <tr> <td colspan="2">xsd:element</td> <td>name</td> <td>a</td> </tr> <tr> <td colspan="2"></td> <td>nclchiName</td> <td>檔案型態 (記錄或程式敘述之數量)</td> </tr> <tr> <td colspan="2"></td> <td>nclengName</td> <td>Type of Electronic Resource</td> </tr> </table> </td> </tr> </table>		xsd:sequence		<table border="1"> <tr> <td colspan="2">xsd:element</td> <td>name</td> <td>a</td> </tr> <tr> <td colspan="2"></td> <td>nclchiName</td> <td>檔案型態 (記錄或程式敘述之數量)</td> </tr> <tr> <td colspan="2"></td> <td>nclengName</td> <td>Type of Electronic Resource</td> </tr> </table>		xsd:element		name	a			nclchiName	檔案型態 (記錄或程式敘述之數量)			nclengName	Type of Electronic Resource																									
xsd:sequence		<table border="1"> <tr> <td colspan="2">xsd:element</td> <td>name</td> <td>a</td> </tr> <tr> <td colspan="2"></td> <td>nclchiName</td> <td>檔案型態 (記錄或程式敘述之數量)</td> </tr> <tr> <td colspan="2"></td> <td>nclengName</td> <td>Type of Electronic Resource</td> </tr> </table>		xsd:element		name	a			nclchiName	檔案型態 (記錄或程式敘述之數量)			nclengName	Type of Electronic Resource																											
xsd:element		name	a																																							
		nclchiName	檔案型態 (記錄或程式敘述之數量)																																							
		nclengName	Type of Electronic Resource																																							
<table border="1"> <tr> <td colspan="2">xsd:attribute</td> <td>name</td> <td>ind1</td> </tr> <tr> <td colspan="2"></td> <td>use</td> <td>required</td> </tr> <tr> <td colspan="2"></td> <td>fixed</td> <td></td> </tr> </table>		xsd:attribute		name	ind1			use	required			fixed																														
xsd:attribute		name	ind1																																							
		use	required																																							
		fixed																																								
<table border="1"> <tr> <td colspan="2">xsd:attribute</td> <td>name</td> <td>ind2</td> </tr> <tr> <td colspan="2"></td> <td>use</td> <td>required</td> </tr> <tr> <td colspan="2"></td> <td>fixed</td> <td></td> </tr> </table>		xsd:attribute		name	ind2			use	required			fixed																														
xsd:attribute		name	ind2																																							
		use	required																																							
		fixed																																								
xsd:complexType		name	tag210Type																																							
		id	210Type																																							
<table border="1"> <tr> <td colspan="2">xsd:sequence</td> <td colspan="2"> <table border="1"> <tr> <td colspan="2">xsd:element</td> <td></td> <td></td> </tr> </table> </td> </tr> </table>		xsd:sequence		<table border="1"> <tr> <td colspan="2">xsd:element</td> <td></td> <td></td> </tr> </table>		xsd:element																																				
xsd:sequence		<table border="1"> <tr> <td colspan="2">xsd:element</td> <td></td> <td></td> </tr> </table>		xsd:element																																						
xsd:element																																										

	<table border="1"> <tr><td>name</td><td>_a</td></tr> <tr><td>minOccurs</td><td>0</td></tr> <tr><td>maxOccurs</td><td>unbounded</td></tr> <tr><td>nclchiName</td><td>出版地, 經銷地等</td></tr> <tr><td>nclengName</td><td>Place of Publication, Distribution, etc.</td></tr> </table>	name	_a	minOccurs	0	maxOccurs	unbounded	nclchiName	出版地, 經銷地等	nclengName	Place of Publication, Distribution, etc.
name	_a										
minOccurs	0										
maxOccurs	unbounded										
nclchiName	出版地, 經銷地等										
nclengName	Place of Publication, Distribution, etc.										
xs:element	<table border="1"> <tr><td>name</td><td>_b</td></tr> <tr><td>minOccurs</td><td>0</td></tr> <tr><td>maxOccurs</td><td>unbounded</td></tr> <tr><td>nclchiName</td><td>出版者, 經銷者等住址</td></tr> <tr><td>nclengName</td><td>Address of Publisher, Distributor, etc.</td></tr> </table>	name	_b	minOccurs	0	maxOccurs	unbounded	nclchiName	出版者, 經銷者等住址	nclengName	Address of Publisher, Distributor, etc.
name	_b										
minOccurs	0										
maxOccurs	unbounded										
nclchiName	出版者, 經銷者等住址										
nclengName	Address of Publisher, Distributor, etc.										
xs:element	<table border="1"> <tr><td>name</td><td>c</td></tr> <tr><td>minOccurs</td><td>0</td></tr> <tr><td>maxOccurs</td><td>unbounded</td></tr> <tr><td>nclchiName</td><td>出版者, 經銷者等名稱</td></tr> <tr><td>nclengName</td><td>Name of Publisher, Distributor, etc.</td></tr> </table>	name	c	minOccurs	0	maxOccurs	unbounded	nclchiName	出版者, 經銷者等名稱	nclengName	Name of Publisher, Distributor, etc.
name	c										
minOccurs	0										
maxOccurs	unbounded										
nclchiName	出版者, 經銷者等名稱										
nclengName	Name of Publisher, Distributor, etc.										
xs:element	<table border="1"> <tr><td>name</td><td>_d</td></tr> <tr><td>minOccurs</td><td>0</td></tr> <tr><td>maxOccurs</td><td>unbounded</td></tr> <tr><td>nclchiName</td><td>出版, 經銷等日期</td></tr> <tr><td>nclengName</td><td>Date of Publication, Distribution, etc.</td></tr> </table>	name	_d	minOccurs	0	maxOccurs	unbounded	nclchiName	出版, 經銷等日期	nclengName	Date of Publication, Distribution, etc.
name	_d										
minOccurs	0										
maxOccurs	unbounded										
nclchiName	出版, 經銷等日期										
nclengName	Date of Publication, Distribution, etc.										
xs:element	<table border="1"> <tr><td>name</td><td>e</td></tr> <tr><td>minOccurs</td><td>0</td></tr> <tr><td>maxOccurs</td><td>unbounded</td></tr> <tr><td>nclchiName</td><td>印製地</td></tr> <tr><td>nclengName</td><td>Place of Manufacture</td></tr> </table>	name	e	minOccurs	0	maxOccurs	unbounded	nclchiName	印製地	nclengName	Place of Manufacture
name	e										
minOccurs	0										
maxOccurs	unbounded										
nclchiName	印製地										
nclengName	Place of Manufacture										
xs:element	<table border="1"> <tr><td>name</td><td>f</td></tr> <tr><td>minOccurs</td><td>0</td></tr> <tr><td>maxOccurs</td><td>unbounded</td></tr> <tr><td>nclchiName</td><td>印製者位址</td></tr> <tr><td>nclengName</td><td>Address of Manufacturer</td></tr> </table>	name	f	minOccurs	0	maxOccurs	unbounded	nclchiName	印製者位址	nclengName	Address of Manufacturer
name	f										
minOccurs	0										
maxOccurs	unbounded										
nclchiName	印製者位址										
nclengName	Address of Manufacturer										
xs:element	<table border="1"> <tr><td>name</td><td>g</td></tr> <tr><td>minOccurs</td><td>0</td></tr> <tr><td>maxOccurs</td><td>unbounded</td></tr> <tr><td>nclchiName</td><td>印製者名稱</td></tr> <tr><td>nclengName</td><td>Name of Manufacturer</td></tr> </table>	name	g	minOccurs	0	maxOccurs	unbounded	nclchiName	印製者名稱	nclengName	Name of Manufacturer
name	g										
minOccurs	0										
maxOccurs	unbounded										
nclchiName	印製者名稱										
nclengName	Name of Manufacturer										
xs:element	<table border="1"> <tr><td>name</td><td>h</td></tr> <tr><td>minOccurs</td><td>0</td></tr> <tr><td>maxOccurs</td><td>unbounded</td></tr> <tr><td>nclchiName</td><td>印製日期</td></tr> <tr><td>nclengName</td><td>Date of Manufacture</td></tr> </table>	name	h	minOccurs	0	maxOccurs	unbounded	nclchiName	印製日期	nclengName	Date of Manufacture
name	h										
minOccurs	0										
maxOccurs	unbounded										
nclchiName	印製日期										
nclengName	Date of Manufacture										
xs:attribute	<table border="1"> <tr><td>name</td><td>ind1</td></tr> <tr><td>type</td><td>indicatorDataType</td></tr> <tr><td>use</td><td>required</td></tr> </table>	name	ind1	type	indicatorDataType	use	required				
name	ind1										
type	indicatorDataType										
use	required										
xs:attribute	<table border="1"> <tr><td>name</td><td>ind2</td></tr> <tr><td>use</td><td>required</td></tr> <tr><td>fixed</td><td></td></tr> </table>	name	ind2	use	required	fixed					
name	ind2										
use	required										
fixed											
xs:complexType	<table border="1"> <tr><td>name</td><td>tag211Type</td></tr> <tr><td>id</td><td>211Type</td></tr> </table>	name	tag211Type	id	211Type						
name	tag211Type										
id	211Type										

xsd:sequence		xsd:element		= name	_a
				= type	tag211FieldType
				= ncl:chiName	出版日期
				= ncl:engName	Date
xsd:attribute		= name	ind1	= use	required
		= fixed			
xsd:attribute		= name	ind2	= use	required
		= fixed			
xsd:simpleType		= name	tag211FieldType		
xsd:restriction		= base	xsd:string		
		xsd:length	= value	4	
		xsd:pattern	= value	[/d]{4}	
xsd:complexType		= name	tag215Type	= id	215Type
xsd:sequence		xsd:element		= name	_a
				= minOccurs	0
				= maxOccurs	unbounded
				= ncl:chiName	數量(面數、冊數或其他)
				= ncl:engName	Specific Material Designation and Extent of Item
		xsd:element		= name	_b
				= minOccurs	0
				= ncl:chiName	插圖及其他稽核細節
				= ncl:engName	Other Physical Details
		xsd:element		= name	_d
				= minOccurs	0
				= maxOccurs	unbounded
				= ncl:chiName	高廣、尺寸
				= ncl:engName	Dimensions
		xsd:element		= name	_e
				= minOccurs	0
				= maxOccurs	unbounded
				= ncl:chiName	附件
				= ncl:engName	Accompanying Material
xsd:attribute		= name	ind1	= type	indicatorDataType
		= use		= fixed	
xsd:attribute		= name	ind2	= use	required
		= fixed			
xsd:complexType		= name	tag225Type	= id	225Type
xsd:sequence		xsd:element			

	name	_a
	ncl:chiName	集叢名
	ncl:engName	Series Title
xsd:element	name	_b
	minOccurs	0
	maxOccurs	unbounded
	ncl:chiName	並列集叢名
	ncl:engName	Parallel Series Title
xsd:element	name	_e
	minOccurs	0
	maxOccurs	unbounded
	ncl:chiName	集叢副題名
	ncl:engName	Other Title Information
xsd:element	name	_f
	minOccurs	0
	maxOccurs	unbounded
	ncl:chiName	著者敘述
	ncl:engName	Statement of Responsibility
xsd:element	name	_h
	minOccurs	0
	maxOccurs	unbounded
	ncl:chiName	編次
	ncl:engName	Number of a part
xsd:element	name	i
	minOccurs	0
	maxOccurs	unbounded
	ncl:chiName	編次名稱
	ncl:engName	Name of a part
xsd:element	name	_v
	minOccurs	0
	maxOccurs	unbounded
	ncl:chiName	集叢號
	ncl:engName	Volume Designation
xsd:element	name	x
	minOccurs	0
	maxOccurs	unbounded
	ncl:chiName	集叢之國際標準業刊號
	ncl:engName	ISSN of Series
xsd:element	name	z
	minOccurs	0
	maxOccurs	unbounded
	ncl:chiName	並列集叢名之語文
	ncl:engName	Language of Parallel Title
xsd:element	name	r
	minOccurs	0
	ncl:chiName	集叢名之羅馬拼音
	ncl:engName	Romanization of Series Statement
xsd:attribute	name	ind1
	type	indicatorDataType
	use	required

<table border="1"> <tr> <td>xs:attribute</td> <td> <table border="1"> <tr> <td>name</td> <td>ind2</td> </tr> <tr> <td>use</td> <td>required</td> </tr> <tr> <td>fixed</td> <td></td> </tr> </table> </td> </tr> </table>		xs:attribute	<table border="1"> <tr> <td>name</td> <td>ind2</td> </tr> <tr> <td>use</td> <td>required</td> </tr> <tr> <td>fixed</td> <td></td> </tr> </table>	name	ind2	use	required	fixed																																																									
xs:attribute	<table border="1"> <tr> <td>name</td> <td>ind2</td> </tr> <tr> <td>use</td> <td>required</td> </tr> <tr> <td>fixed</td> <td></td> </tr> </table>	name	ind2	use	required	fixed																																																											
name	ind2																																																																
use	required																																																																
fixed																																																																	
<p><i>Comment</i> 3XX 「附註段」欄位內容宣告</p>																																																																	
<table border="1"> <tr> <td colspan="2">xs:complexType</td> </tr> <tr> <td>name</td> <td>tag300Type</td> </tr> <tr> <td>id</td> <td>300Type</td> </tr> <tr> <td colspan="2">xs:sequence</td> </tr> <tr> <td colspan="2">xs:element</td> </tr> <tr> <td>name</td> <td>_a</td> </tr> <tr> <td>ncl:chiName</td> <td>附註</td> </tr> <tr> <td>ncl:engName</td> <td>Text of Note</td> </tr> <tr> <td colspan="2">xs:element</td> </tr> <tr> <td>name</td> <td>_u</td> </tr> <tr> <td>minOccurs</td> <td>0</td> </tr> <tr> <td>ncl:chiName</td> <td>國際書目交換用之附註</td> </tr> <tr> <td>ncl:engName</td> <td>United languages</td> </tr> <tr> <td colspan="2">xs:attribute</td> </tr> <tr> <td>name</td> <td>ind1</td> </tr> <tr> <td>use</td> <td>required</td> </tr> <tr> <td>fixed</td> <td></td> </tr> <tr> <td colspan="2">xs:attribute</td> </tr> <tr> <td>name</td> <td>ind2</td> </tr> <tr> <td>use</td> <td>required</td> </tr> <tr> <td>fixed</td> <td></td> </tr> </table>		xs:complexType		name	tag300Type	id	300Type	xs:sequence		xs:element		name	_a	ncl:chiName	附註	ncl:engName	Text of Note	xs:element		name	_u	minOccurs	0	ncl:chiName	國際書目交換用之附註	ncl:engName	United languages	xs:attribute		name	ind1	use	required	fixed		xs:attribute		name	ind2	use	required	fixed																							
xs:complexType																																																																	
name	tag300Type																																																																
id	300Type																																																																
xs:sequence																																																																	
xs:element																																																																	
name	_a																																																																
ncl:chiName	附註																																																																
ncl:engName	Text of Note																																																																
xs:element																																																																	
name	_u																																																																
minOccurs	0																																																																
ncl:chiName	國際書目交換用之附註																																																																
ncl:engName	United languages																																																																
xs:attribute																																																																	
name	ind1																																																																
use	required																																																																
fixed																																																																	
xs:attribute																																																																	
name	ind2																																																																
use	required																																																																
fixed																																																																	
<table border="1"> <tr> <td colspan="2">xs:complexType</td> </tr> <tr> <td>name</td> <td>tag321Type</td> </tr> <tr> <td>id</td> <td>321Type</td> </tr> <tr> <td colspan="2">xs:sequence</td> </tr> <tr> <td colspan="2">xs:element</td> </tr> <tr> <td>name</td> <td>_a</td> </tr> <tr> <td>ncl:chiName</td> <td>被索引、摘要及引用之書目註</td> </tr> <tr> <td>ncl:engName</td> <td>Indexes, Abstracts, References Note</td> </tr> <tr> <td colspan="2">xs:element</td> </tr> <tr> <td>name</td> <td>_b</td> </tr> <tr> <td>minOccurs</td> <td>0</td> </tr> <tr> <td>ncl:chiName</td> <td>日期</td> </tr> <tr> <td>ncl:engName</td> <td>Dates of Coverage</td> </tr> <tr> <td colspan="2">xs:element</td> </tr> <tr> <td>name</td> <td>_x</td> </tr> <tr> <td>minOccurs</td> <td>0</td> </tr> <tr> <td>ncl:chiName</td> <td>ISSN</td> </tr> <tr> <td>ncl:engName</td> <td>International Standard Serial Number (ISSN)</td> </tr> <tr> <td colspan="2">xs:element</td> </tr> <tr> <td>name</td> <td>_u</td> </tr> <tr> <td>minOccurs</td> <td>0</td> </tr> <tr> <td>ncl:chiName</td> <td>國際書目交換用之附註</td> </tr> <tr> <td>ncl:engName</td> <td>United Languages</td> </tr> <tr> <td colspan="2">xs:attribute</td> </tr> <tr> <td>name</td> <td>ind1</td> </tr> <tr> <td>type</td> <td>indicatorDataType</td> </tr> <tr> <td>use</td> <td>required</td> </tr> <tr> <td>fixed</td> <td></td> </tr> <tr> <td colspan="2">xs:attribute</td> </tr> <tr> <td>name</td> <td>ind2</td> </tr> <tr> <td>use</td> <td>required</td> </tr> <tr> <td>fixed</td> <td></td> </tr> </table>		xs:complexType		name	tag321Type	id	321Type	xs:sequence		xs:element		name	_a	ncl:chiName	被索引、摘要及引用之書目註	ncl:engName	Indexes, Abstracts, References Note	xs:element		name	_b	minOccurs	0	ncl:chiName	日期	ncl:engName	Dates of Coverage	xs:element		name	_x	minOccurs	0	ncl:chiName	ISSN	ncl:engName	International Standard Serial Number (ISSN)	xs:element		name	_u	minOccurs	0	ncl:chiName	國際書目交換用之附註	ncl:engName	United Languages	xs:attribute		name	ind1	type	indicatorDataType	use	required	fixed		xs:attribute		name	ind2	use	required	fixed	
xs:complexType																																																																	
name	tag321Type																																																																
id	321Type																																																																
xs:sequence																																																																	
xs:element																																																																	
name	_a																																																																
ncl:chiName	被索引、摘要及引用之書目註																																																																
ncl:engName	Indexes, Abstracts, References Note																																																																
xs:element																																																																	
name	_b																																																																
minOccurs	0																																																																
ncl:chiName	日期																																																																
ncl:engName	Dates of Coverage																																																																
xs:element																																																																	
name	_x																																																																
minOccurs	0																																																																
ncl:chiName	ISSN																																																																
ncl:engName	International Standard Serial Number (ISSN)																																																																
xs:element																																																																	
name	_u																																																																
minOccurs	0																																																																
ncl:chiName	國際書目交換用之附註																																																																
ncl:engName	United Languages																																																																
xs:attribute																																																																	
name	ind1																																																																
type	indicatorDataType																																																																
use	required																																																																
fixed																																																																	
xs:attribute																																																																	
name	ind2																																																																
use	required																																																																
fixed																																																																	
<table border="1"> <tr> <td colspan="2">xs:complexType</td> </tr> </table>		xs:complexType																																																															
xs:complexType																																																																	

name	tag326Type																												
id	326Type																												
xsd:sequence	<table border="1"> <tr> <td>xsd:element</td> <td> <table border="1"> <tr> <td>name</td> <td>_a</td> </tr> <tr> <td>ncl:chiName</td> <td>刊期</td> </tr> <tr> <td>ncl:engName</td> <td>Frequency</td> </tr> </table> </td> </tr> <tr> <td>xsd:element</td> <td> <table border="1"> <tr> <td>name</td> <td>_b</td> </tr> <tr> <td>minOccurs</td> <td>0</td> </tr> <tr> <td>ncl:chiName</td> <td>日期</td> </tr> <tr> <td>ncl:engName</td> <td>Dates of Frequency</td> </tr> </table> </td> </tr> <tr> <td>xsd:element</td> <td> <table border="1"> <tr> <td>name</td> <td>_u</td> </tr> <tr> <td>minOccurs</td> <td>0</td> </tr> <tr> <td>ncl:chiName</td> <td>國際書目交換用之附註</td> </tr> <tr> <td>ncl:engName</td> <td>United Languages</td> </tr> </table> </td> </tr> </table>	xsd:element	<table border="1"> <tr> <td>name</td> <td>_a</td> </tr> <tr> <td>ncl:chiName</td> <td>刊期</td> </tr> <tr> <td>ncl:engName</td> <td>Frequency</td> </tr> </table>	name	_a	ncl:chiName	刊期	ncl:engName	Frequency	xsd:element	<table border="1"> <tr> <td>name</td> <td>_b</td> </tr> <tr> <td>minOccurs</td> <td>0</td> </tr> <tr> <td>ncl:chiName</td> <td>日期</td> </tr> <tr> <td>ncl:engName</td> <td>Dates of Frequency</td> </tr> </table>	name	_b	minOccurs	0	ncl:chiName	日期	ncl:engName	Dates of Frequency	xsd:element	<table border="1"> <tr> <td>name</td> <td>_u</td> </tr> <tr> <td>minOccurs</td> <td>0</td> </tr> <tr> <td>ncl:chiName</td> <td>國際書目交換用之附註</td> </tr> <tr> <td>ncl:engName</td> <td>United Languages</td> </tr> </table>	name	_u	minOccurs	0	ncl:chiName	國際書目交換用之附註	ncl:engName	United Languages
xsd:element	<table border="1"> <tr> <td>name</td> <td>_a</td> </tr> <tr> <td>ncl:chiName</td> <td>刊期</td> </tr> <tr> <td>ncl:engName</td> <td>Frequency</td> </tr> </table>	name	_a	ncl:chiName	刊期	ncl:engName	Frequency																						
name	_a																												
ncl:chiName	刊期																												
ncl:engName	Frequency																												
xsd:element	<table border="1"> <tr> <td>name</td> <td>_b</td> </tr> <tr> <td>minOccurs</td> <td>0</td> </tr> <tr> <td>ncl:chiName</td> <td>日期</td> </tr> <tr> <td>ncl:engName</td> <td>Dates of Frequency</td> </tr> </table>	name	_b	minOccurs	0	ncl:chiName	日期	ncl:engName	Dates of Frequency																				
name	_b																												
minOccurs	0																												
ncl:chiName	日期																												
ncl:engName	Dates of Frequency																												
xsd:element	<table border="1"> <tr> <td>name</td> <td>_u</td> </tr> <tr> <td>minOccurs</td> <td>0</td> </tr> <tr> <td>ncl:chiName</td> <td>國際書目交換用之附註</td> </tr> <tr> <td>ncl:engName</td> <td>United Languages</td> </tr> </table>	name	_u	minOccurs	0	ncl:chiName	國際書目交換用之附註	ncl:engName	United Languages																				
name	_u																												
minOccurs	0																												
ncl:chiName	國際書目交換用之附註																												
ncl:engName	United Languages																												
xsd:attribute	<table border="1"> <tr> <td>name</td> <td>ind1</td> </tr> <tr> <td>use</td> <td>required</td> </tr> <tr> <td>fixed</td> <td></td> </tr> </table>	name	ind1	use	required	fixed																							
name	ind1																												
use	required																												
fixed																													
xsd:attribute	<table border="1"> <tr> <td>name</td> <td>ind2</td> </tr> <tr> <td>use</td> <td>required</td> </tr> <tr> <td>fixed</td> <td></td> </tr> </table>	name	ind2	use	required	fixed																							
name	ind2																												
use	required																												
fixed																													

xsd:complexType

name	tag327Type										
id	327Type										
xsd:sequence	<table border="1"> <tr> <td>xsd:element</td> <td> <table border="1"> <tr> <td>name</td> <td>_a</td> </tr> <tr> <td>maxOccurs</td> <td>unbounded</td> </tr> <tr> <td>ncl:chiName</td> <td>內容註細目</td> </tr> <tr> <td>ncl:engName</td> <td>Entry in Contents Note</td> </tr> </table> </td> </tr> </table>	xsd:element	<table border="1"> <tr> <td>name</td> <td>_a</td> </tr> <tr> <td>maxOccurs</td> <td>unbounded</td> </tr> <tr> <td>ncl:chiName</td> <td>內容註細目</td> </tr> <tr> <td>ncl:engName</td> <td>Entry in Contents Note</td> </tr> </table>	name	_a	maxOccurs	unbounded	ncl:chiName	內容註細目	ncl:engName	Entry in Contents Note
xsd:element	<table border="1"> <tr> <td>name</td> <td>_a</td> </tr> <tr> <td>maxOccurs</td> <td>unbounded</td> </tr> <tr> <td>ncl:chiName</td> <td>內容註細目</td> </tr> <tr> <td>ncl:engName</td> <td>Entry in Contents Note</td> </tr> </table>	name	_a	maxOccurs	unbounded	ncl:chiName	內容註細目	ncl:engName	Entry in Contents Note		
name	_a										
maxOccurs	unbounded										
ncl:chiName	內容註細目										
ncl:engName	Entry in Contents Note										
xsd:attribute	<table border="1"> <tr> <td>name</td> <td>ind1</td> </tr> <tr> <td>type</td> <td>indicatorDataType</td> </tr> <tr> <td>use</td> <td>required</td> </tr> </table>	name	ind1	type	indicatorDataType	use	required				
name	ind1										
type	indicatorDataType										
use	required										
xsd:attribute	<table border="1"> <tr> <td>name</td> <td>ind2</td> </tr> <tr> <td>use</td> <td>required</td> </tr> <tr> <td>fixed</td> <td></td> </tr> </table>	name	ind2	use	required	fixed					
name	ind2										
use	required										
fixed											

xsd:complexType

name	tag345Type																																
id	345Type																																
xsd:sequence	<table border="1"> <tr> <td>xsd:element</td> <td> <table border="1"> <tr> <td>name</td> <td>a</td> </tr> <tr> <td>maxOccurs</td> <td>unbounded</td> </tr> <tr> <td>ncl:chiName</td> <td>採訪來源之名稱或地址</td> </tr> <tr> <td>ncl:engName</td> <td>Source for Acquisition/Subscription Address</td> </tr> </table> </td> </tr> <tr> <td>xsd:element</td> <td> <table border="1"> <tr> <td>name</td> <td>b</td> </tr> <tr> <td>maxOccurs</td> <td>unbounded</td> </tr> <tr> <td>ncl:chiName</td> <td>庫存號碼</td> </tr> <tr> <td>ncl:engName</td> <td>Stock Number</td> </tr> </table> </td> </tr> <tr> <td>xsd:element</td> <td> <table border="1"> <tr> <td>name</td> <td>c</td> </tr> <tr> <td>maxOccurs</td> <td>unbounded</td> </tr> <tr> <td>ncl:chiName</td> <td>媒體形式</td> </tr> <tr> <td>ncl:engName</td> <td>Medium</td> </tr> </table> </td> </tr> <tr> <td>xsd:element</td> <td></td> </tr> </table>	xsd:element	<table border="1"> <tr> <td>name</td> <td>a</td> </tr> <tr> <td>maxOccurs</td> <td>unbounded</td> </tr> <tr> <td>ncl:chiName</td> <td>採訪來源之名稱或地址</td> </tr> <tr> <td>ncl:engName</td> <td>Source for Acquisition/Subscription Address</td> </tr> </table>	name	a	maxOccurs	unbounded	ncl:chiName	採訪來源之名稱或地址	ncl:engName	Source for Acquisition/Subscription Address	xsd:element	<table border="1"> <tr> <td>name</td> <td>b</td> </tr> <tr> <td>maxOccurs</td> <td>unbounded</td> </tr> <tr> <td>ncl:chiName</td> <td>庫存號碼</td> </tr> <tr> <td>ncl:engName</td> <td>Stock Number</td> </tr> </table>	name	b	maxOccurs	unbounded	ncl:chiName	庫存號碼	ncl:engName	Stock Number	xsd:element	<table border="1"> <tr> <td>name</td> <td>c</td> </tr> <tr> <td>maxOccurs</td> <td>unbounded</td> </tr> <tr> <td>ncl:chiName</td> <td>媒體形式</td> </tr> <tr> <td>ncl:engName</td> <td>Medium</td> </tr> </table>	name	c	maxOccurs	unbounded	ncl:chiName	媒體形式	ncl:engName	Medium	xsd:element	
xsd:element	<table border="1"> <tr> <td>name</td> <td>a</td> </tr> <tr> <td>maxOccurs</td> <td>unbounded</td> </tr> <tr> <td>ncl:chiName</td> <td>採訪來源之名稱或地址</td> </tr> <tr> <td>ncl:engName</td> <td>Source for Acquisition/Subscription Address</td> </tr> </table>	name	a	maxOccurs	unbounded	ncl:chiName	採訪來源之名稱或地址	ncl:engName	Source for Acquisition/Subscription Address																								
name	a																																
maxOccurs	unbounded																																
ncl:chiName	採訪來源之名稱或地址																																
ncl:engName	Source for Acquisition/Subscription Address																																
xsd:element	<table border="1"> <tr> <td>name</td> <td>b</td> </tr> <tr> <td>maxOccurs</td> <td>unbounded</td> </tr> <tr> <td>ncl:chiName</td> <td>庫存號碼</td> </tr> <tr> <td>ncl:engName</td> <td>Stock Number</td> </tr> </table>	name	b	maxOccurs	unbounded	ncl:chiName	庫存號碼	ncl:engName	Stock Number																								
name	b																																
maxOccurs	unbounded																																
ncl:chiName	庫存號碼																																
ncl:engName	Stock Number																																
xsd:element	<table border="1"> <tr> <td>name</td> <td>c</td> </tr> <tr> <td>maxOccurs</td> <td>unbounded</td> </tr> <tr> <td>ncl:chiName</td> <td>媒體形式</td> </tr> <tr> <td>ncl:engName</td> <td>Medium</td> </tr> </table>	name	c	maxOccurs	unbounded	ncl:chiName	媒體形式	ncl:engName	Medium																								
name	c																																
maxOccurs	unbounded																																
ncl:chiName	媒體形式																																
ncl:engName	Medium																																
xsd:element																																	

	<table border="1"> <tr><td>name</td><td>_d</td></tr> <tr><td>maxOccurs</td><td>unbounded</td></tr> <tr><td>ncl:chiName</td><td>發行性質 / 價格</td></tr> <tr><td>ncl:engName</td><td>Terms of Availability</td></tr> </table>	name	_d	maxOccurs	unbounded	ncl:chiName	發行性質 / 價格	ncl:engName	Terms of Availability																										
name	_d																																		
maxOccurs	unbounded																																		
ncl:chiName	發行性質 / 價格																																		
ncl:engName	Terms of Availability																																		
	<table border="1"> <tr><td colspan="2">xsd:element</td></tr> <tr><td>name</td><td>p</td></tr> <tr><td>maxOccurs</td><td>unbounded</td></tr> <tr><td>ncl:chiName</td><td>郵撥帳號及帳戶</td></tr> <tr><td>ncl:engName</td><td>Postal Remittance Account</td></tr> </table>	xsd:element		name	p	maxOccurs	unbounded	ncl:chiName	郵撥帳號及帳戶	ncl:engName	Postal Remittance Account																								
xsd:element																																			
name	p																																		
maxOccurs	unbounded																																		
ncl:chiName	郵撥帳號及帳戶																																		
ncl:engName	Postal Remittance Account																																		
	<table border="1"> <tr><td colspan="2">xsd:element</td></tr> <tr><td>name</td><td>t</td></tr> <tr><td>maxOccurs</td><td>unbounded</td></tr> <tr><td>ncl:chiName</td><td>電話</td></tr> <tr><td>ncl:engName</td><td>Telephone Number</td></tr> </table>	xsd:element		name	t	maxOccurs	unbounded	ncl:chiName	電話	ncl:engName	Telephone Number																								
xsd:element																																			
name	t																																		
maxOccurs	unbounded																																		
ncl:chiName	電話																																		
ncl:engName	Telephone Number																																		
	<table border="1"> <tr><td colspan="2">xsd:element</td></tr> <tr><td>name</td><td>u</td></tr> <tr><td>maxOccurs</td><td>unbounded</td></tr> <tr><td>ncl:chiName</td><td>國際書目交換用之附註</td></tr> <tr><td>ncl:engName</td><td>United Languages</td></tr> </table>	xsd:element		name	u	maxOccurs	unbounded	ncl:chiName	國際書目交換用之附註	ncl:engName	United Languages																								
xsd:element																																			
name	u																																		
maxOccurs	unbounded																																		
ncl:chiName	國際書目交換用之附註																																		
ncl:engName	United Languages																																		
	<table border="1"> <tr><td colspan="2">xsd:attribute</td></tr> <tr><td>name</td><td>ind1</td></tr> <tr><td>use</td><td>required</td></tr> <tr><td>fixed</td><td></td></tr> </table>	xsd:attribute		name	ind1	use	required	fixed																											
xsd:attribute																																			
name	ind1																																		
use	required																																		
fixed																																			
	<table border="1"> <tr><td colspan="2">xsd:attribute</td></tr> <tr><td>name</td><td>ind2</td></tr> <tr><td>use</td><td>required</td></tr> <tr><td>fixed</td><td></td></tr> </table>	xsd:attribute		name	ind2	use	required	fixed																											
xsd:attribute																																			
name	ind2																																		
use	required																																		
fixed																																			
Comment	4XX 「連接款目段」欄位內容宣告，4XX段具有數字之分欄名稱																																		
	<table border="1"> <tr><td colspan="2">xsd:complexType</td></tr> <tr><td>name</td><td>tag400Type</td></tr> <tr><td>id</td><td>400Type</td></tr> <tr><td colspan="2">xsd:sequence</td></tr> <tr><td colspan="2">xsd:element</td></tr> <tr><td>name</td><td>l</td></tr> <tr><td>maxOccurs</td><td>unbounded</td></tr> <tr><td>ncl:chiName</td><td>相關之資料欄位</td></tr> <tr><td>ncl:engName</td><td>Any Data Field</td></tr> <tr><td colspan="2">xsd:attribute</td></tr> <tr><td>name</td><td>ind1</td></tr> <tr><td>use</td><td>required</td></tr> <tr><td>fixed</td><td></td></tr> <tr><td colspan="2">xsd:attribute</td></tr> <tr><td>name</td><td>ind2</td></tr> <tr><td>type</td><td>indicatorDataType</td></tr> <tr><td>use</td><td>required</td></tr> </table>	xsd:complexType		name	tag400Type	id	400Type	xsd:sequence		xsd:element		name	l	maxOccurs	unbounded	ncl:chiName	相關之資料欄位	ncl:engName	Any Data Field	xsd:attribute		name	ind1	use	required	fixed		xsd:attribute		name	ind2	type	indicatorDataType	use	required
xsd:complexType																																			
name	tag400Type																																		
id	400Type																																		
xsd:sequence																																			
xsd:element																																			
name	l																																		
maxOccurs	unbounded																																		
ncl:chiName	相關之資料欄位																																		
ncl:engName	Any Data Field																																		
xsd:attribute																																			
name	ind1																																		
use	required																																		
fixed																																			
xsd:attribute																																			
name	ind2																																		
type	indicatorDataType																																		
use	required																																		
Comment	5XX 「相關題名段」欄位內容宣告																																		
	<table border="1"> <tr><td colspan="2">xsd:complexType</td></tr> <tr><td>name</td><td>tag500Type</td></tr> <tr><td>id</td><td>500Type</td></tr> <tr><td colspan="2">xsd:sequence</td></tr> <tr><td colspan="2">xsd:element</td></tr> <tr><td>name</td><td>a</td></tr> <tr><td>ncl:chiName</td><td>劃一題名</td></tr> <tr><td>ncl:engName</td><td>Uniform Title</td></tr> <tr><td colspan="2">xsd:element</td></tr> <tr><td>name</td><td>h</td></tr> <tr><td>minOccurs</td><td>0</td></tr> <tr><td>maxOccurs</td><td>unbounded</td></tr> <tr><td>ncl:chiName</td><td>編次</td></tr> </table>	xsd:complexType		name	tag500Type	id	500Type	xsd:sequence		xsd:element		name	a	ncl:chiName	劃一題名	ncl:engName	Uniform Title	xsd:element		name	h	minOccurs	0	maxOccurs	unbounded	ncl:chiName	編次								
xsd:complexType																																			
name	tag500Type																																		
id	500Type																																		
xsd:sequence																																			
xsd:element																																			
name	a																																		
ncl:chiName	劃一題名																																		
ncl:engName	Uniform Title																																		
xsd:element																																			
name	h																																		
minOccurs	0																																		
maxOccurs	unbounded																																		
ncl:chiName	編次																																		

	nclengName	Number of Section or Part
xsd:element	name	_i
	minOccurs	0
	maxOccurs	unbounded
	nclchiName	編次名稱
	nclengName	Name of Section or Part
xsd:element	name	_k
	minOccurs	0
	nclchiName	出版日期
	nclengName	Date of Publication
xsd:element	name	_l
	minOccurs	0
	nclchiName	形式副標目
	nclengName	Form Subheading
xsd:element	name	_m
	minOccurs	0
	nclchiName	作品語文
	nclengName	Language (when part of a heading)
xsd:element	name	_n
	minOccurs	0
	maxOccurs	unbounded
	nclchiName	其他
	nclengName	Miscellaneous Information
xsd:element	name	_p
	minOccurs	0
	nclchiName	卷數
	nclengName	Chuan
xsd:element	name	_q
	minOccurs	0
	nclchiName	版本 (或版本日期)
	nclengName	Version (or Date of Version)
xsd:element	name	_s
	minOccurs	0
	maxOccurs	unbounded
	nclchiName	作品號
	nclengName	Numeric Designation (for Music)
xsd:element	name	_t
	minOccurs	0
	maxOccurs	unbounded
	nclchiName	媒體
	nclengName	Medium of Performance (for Music)
xsd:element	name	_u
	minOccurs	0
	nclchiName	調性 (適用於音樂資料)
	nclengName	Key (for Music)
xsd:element	name	_v
	minOccurs	0

	name	冊次號
	ncl:chiName	冊次號
	ncl:engName	Volume Designation
xs:element		
	name	_w
	minOccurs	0
	ncl:chiName	編曲
	ncl:engName	Arranged Statement (for Music)
xs:element		
	name	_x
	minOccurs	0
	maxOccurs	unbounded
	ncl:chiName	主題複分
	ncl:engName	Topical Subdivision
xs:element		
	name	_y
	minOccurs	0
	maxOccurs	unbounded
	ncl:chiName	地區複分
	ncl:engName	Geographical Subdivision
xs:element		
	name	_z
	minOccurs	0
	maxOccurs	unbounded
	ncl:chiName	時代複分
	ncl:engName	Chronological Subdivision
xs:element		
	name	_2
	minOccurs	0
	ncl:chiName	標題系統代碼
	ncl:engName	System Code
xs:element		
	name	_3
	minOccurs	0
	ncl:chiName	權威記錄號碼
	ncl:engName	Authority Record Number
xs:element		
	name	_r
	minOccurs	0
	ncl:chiName	羅馬拼音
	ncl:engName	Romanization of Uniform Title
xs:attribute		
	name	ind1
	type	indicatorDataType
	use	required
xs:attribute		
	name	ind2
	type	indicatorDataType
	use	required
xs:complexType		
	name	tag501Type
	id	501Type
xs:sequence		
xs:element		
	name	a
	ncl:chiName	總集劃一題名
	ncl:engName	Collective Uniform Title
xs:element		
	name	_e
	minOccurs	0
	ncl:chiName	總集劃一副題名

	= <i>nclengName</i>	Collective Uniform Subtitle
▲ <i>xsd:element</i>	= <i>name</i>	_k
	= <i>minOccurs</i>	0
	= <i>nclchiName</i>	出版日期
	= <i>nclengName</i>	Date of Publication, etc.
▲ <i>xsd:element</i>	= <i>name</i>	_m
	= <i>minOccurs</i>	0
	= <i>nclchiName</i>	作品語文
	= <i>nclengName</i>	Language (when part of heading)
▲ <i>xsd:element</i>	= <i>name</i>	_s
	= <i>minOccurs</i>	0
	= <i>maxOccurs</i>	unbounded
	= <i>nclchiName</i>	作品號 (適用於音樂資料)
	= <i>nclengName</i>	Numeric Designation (for Music)
▲ <i>xsd:element</i>	= <i>name</i>	_t
	= <i>minOccurs</i>	0
	= <i>maxOccurs</i>	unbounded
	= <i>nclchiName</i>	媒體 (適用於音樂資料)
	= <i>nclengName</i>	Medium of Performance (for Music)
▲ <i>xsd:element</i>	= <i>name</i>	_u
	= <i>minOccurs</i>	0
	= <i>nclchiName</i>	調性 (適用於音樂資料)
	= <i>nclengName</i>	Key (for Music)
▲ <i>xsd:element</i>	= <i>name</i>	_w
	= <i>minOccurs</i>	0
	= <i>nclchiName</i>	編曲 (適用於音樂資料)
	= <i>nclengName</i>	Arranged Statement (for Music)
▲ <i>xsd:element</i>	= <i>name</i>	_x
	= <i>minOccurs</i>	0
	= <i>maxOccurs</i>	unbounded
	= <i>nclchiName</i>	主題複分
	= <i>nclengName</i>	Topical Subdivision
▲ <i>xsd:element</i>	= <i>name</i>	_y
	= <i>minOccurs</i>	0
	= <i>maxOccurs</i>	unbounded
	= <i>nclchiName</i>	地區複分
	= <i>nclengName</i>	Geographical Subdivision
▲ <i>xsd:element</i>	= <i>name</i>	_z
	= <i>minOccurs</i>	0
	= <i>maxOccurs</i>	unbounded
	= <i>nclchiName</i>	時代複分
	= <i>nclengName</i>	Chronological Subdivision
▲ <i>xsd:element</i>	= <i>name</i>	_2
	= <i>minOccurs</i>	0
	= <i>nclchiName</i>	標題系統代碼
	= <i>nclengName</i>	System Code

xsd:element		name	3
		minOccurs	0
		ncl:chiName	權威記錄號碼
		ncl:engName	Authority Record Number
xsd:element		name	_r
		minOccurs	0
		ncl:chiName	羅馬拼音
		ncl:engName	Romanization of Uniform Title
xsd:attribute		name	ind1
		type	indicatorDataType
		use	required
xsd:attribute		name	ind2
		use	required
		fixed	
xsd:complexType			
name		tag503Type	
id		503Type	
xsd:sequence			
xsd:element		name	_a
		ncl:chiName	正標目
		ncl:engName	Form Heading Proper
xsd:element		name	_b
		minOccurs	0
		ncl:chiName	副標目
		ncl:engName	Form Subheading
xsd:element		name	_d
		type	xsd:gMonthDay
		minOccurs	0
		ncl:chiName	月日
		ncl:engName	Month and Day
xsd:element		name	_e
		minOccurs	0
		ncl:chiName	著者姓氏
		ncl:engName	Surname of person
xsd:element		name	_f
		minOccurs	0
		ncl:chiName	著者名字
		ncl:engName	Forename
xsd:element		name	_h
		minOccurs	0
		ncl:chiName	著者修飾詞
		ncl:engName	Personal Name Qualifier
xsd:element		name	_i
		minOccurs	0
		ncl:chiName	標目中之題名
		ncl:engName	Title of Part
xsd:element		name	_j
		minOccurs	0
		ncl:chiName	年代
		ncl:engName	Year

xsd:element		name	_k
		type	xsd:integer
		minOccurs	0
		ncl:chiName	阿拉伯數字
		ncl:engName	Numeration (Arabic)
xsd:element		name	_l
		minOccurs	0
		ncl:chiName	羅馬數字
		ncl:engName	Numeration (Roman)
xsd:element		name	_m
		minOccurs	0
		ncl:chiName	機構所在地
		ncl:engName	Locality
xsd:element		name	_n
		minOccurs	0
		ncl:chiName	機構名稱
		ncl:engName	Institution in Locality
xsd:element		name	_p
		minOccurs	0
		ncl:chiName	卷數
		ncl:engName	Chuan
xsd:element		name	_v
		minOccurs	0
		ncl:chiName	冊次號
		ncl:engName	Volume Designation
xsd:element		name	_r
		minOccurs	0
		ncl:chiName	羅馬拼音
		ncl:engName	Romanization of Uniform Title
xsd:attribute		name	ind1
		type	indicatorDataType
		use	required
xsd:attribute		name	ind2
		use	required
		fixed	
xsd:complexType		name	tag510Type
		id	510Type
xsd:sequence		xsd:element	
		name	a
		ncl:chiName	並列題名
		ncl:engName	Parallel Title
		xsd:element	
		name	e
		minOccurs	0
		maxOccurs	unbounded
		ncl:chiName	副題名
		ncl:engName	Other Title Information
		xsd:element	
		name	h
		minOccurs	0
		maxOccurs	unbounded
		ncl:chiName	編次

		nclengName	Number of Part
xsd:element			
name	i		
minOccurs	0		
maxOccurs	unbounded		
nclchiName	編次名稱		
nclengName	Name of Part		
xsd:element			
name	j		
minOccurs	0		
nclchiName	卷號或日期		
nclengName	Volume or Dates Associated with Title		
xsd:element			
name	n		
minOccurs	0		
nclchiName	其他		
nclengName	Miscellaneous Information		
xsd:element			
name	p		
minOccurs	0		
nclchiName	卷數		
nclengName	Chuan		
xsd:element			
name	z		
minOccurs	0		
nclchiName	語文代碼		
nclengName	Language of Title		
xsd:element			
name	r		
minOccurs	0		
nclchiName	羅馬拼音		
nclengName	Romaniization of Parallel Title		
xsd:attribute			
name	ind1		
type	indicatorDataType		
use	required		
xsd:attribute			
name	ind2		
use	required		
fixed			
xsd:complexType			
name	tag512Type		
id	512Type		
xsd:sequence			
xsd:element			
name	a		
nclchiName	封面題名		
nclengName	Cover Title		
xsd:element			
name	e		
minOccurs	0		
maxOccurs	unbounded		
nclchiName	副題名		
nclengName	Other Title Information		
xsd:element			
name	h		
minOccurs	0		
maxOccurs	unbounded		
nclchiName	編次		
nclengName	Number of part		
xsd:element			

	<table border="1"> <tr><td>name</td><td>_j</td></tr> <tr><td>minOccurs</td><td>0</td></tr> <tr><td>maxOccurs</td><td>unbounded</td></tr> <tr><td>ncl:chiName</td><td>編次名稱</td></tr> <tr><td>ncl:engName</td><td>Name of part</td></tr> </table>	name	_j	minOccurs	0	maxOccurs	unbounded	ncl:chiName	編次名稱	ncl:engName	Name of part																																				
name	_j																																														
minOccurs	0																																														
maxOccurs	unbounded																																														
ncl:chiName	編次名稱																																														
ncl:engName	Name of part																																														
<table border="1"> <tr><td colspan="2">xsd:element</td></tr> <tr><td>name</td><td>_j</td></tr> <tr><td>minOccurs</td><td>0</td></tr> <tr><td>ncl:chiName</td><td>卷號或日期</td></tr> <tr><td>ncl:engName</td><td>Volume or Dates Associated with Title</td></tr> </table>	xsd:element		name	_j	minOccurs	0	ncl:chiName	卷號或日期	ncl:engName	Volume or Dates Associated with Title	<table border="1"> <tr><td>name</td><td>_n</td></tr> <tr><td>minOccurs</td><td>0</td></tr> <tr><td>ncl:chiName</td><td>其他說明</td></tr> <tr><td>ncl:engName</td><td>Miscellaneous Information</td></tr> </table>	name	_n	minOccurs	0	ncl:chiName	其他說明	ncl:engName	Miscellaneous Information																												
xsd:element																																															
name	_j																																														
minOccurs	0																																														
ncl:chiName	卷號或日期																																														
ncl:engName	Volume or Dates Associated with Title																																														
name	_n																																														
minOccurs	0																																														
ncl:chiName	其他說明																																														
ncl:engName	Miscellaneous Information																																														
<table border="1"> <tr><td colspan="2">xsd:element</td></tr> <tr><td>name</td><td>_p</td></tr> <tr><td>minOccurs</td><td>0</td></tr> <tr><td>ncl:chiName</td><td>卷數</td></tr> <tr><td>ncl:engName</td><td>Chuan</td></tr> </table>	xsd:element		name	_p	minOccurs	0	ncl:chiName	卷數	ncl:engName	Chuan	<table border="1"> <tr><td colspan="2">xsd:element</td></tr> <tr><td>name</td><td>_z</td></tr> <tr><td>minOccurs</td><td>0</td></tr> <tr><td>ncl:chiName</td><td>語文代碼</td></tr> <tr><td>ncl:engName</td><td>Language or Title</td></tr> </table>	xsd:element		name	_z	minOccurs	0	ncl:chiName	語文代碼	ncl:engName	Language or Title																										
xsd:element																																															
name	_p																																														
minOccurs	0																																														
ncl:chiName	卷數																																														
ncl:engName	Chuan																																														
xsd:element																																															
name	_z																																														
minOccurs	0																																														
ncl:chiName	語文代碼																																														
ncl:engName	Language or Title																																														
<table border="1"> <tr><td colspan="2">xsd:element</td></tr> <tr><td>name</td><td>_r</td></tr> <tr><td>minOccurs</td><td>0</td></tr> <tr><td>ncl:chiName</td><td>羅馬拼音</td></tr> <tr><td>ncl:engName</td><td>Romanization of Cover Title</td></tr> </table>	xsd:element		name	_r	minOccurs	0	ncl:chiName	羅馬拼音	ncl:engName	Romanization of Cover Title																																					
xsd:element																																															
name	_r																																														
minOccurs	0																																														
ncl:chiName	羅馬拼音																																														
ncl:engName	Romanization of Cover Title																																														
<table border="1"> <tr><td colspan="2">xsd:attribute</td></tr> <tr><td>name</td><td>ind1</td></tr> <tr><td>type</td><td>indicatorDataType</td></tr> <tr><td>use</td><td>required</td></tr> </table>	xsd:attribute		name	ind1	type	indicatorDataType	use	required																																							
xsd:attribute																																															
name	ind1																																														
type	indicatorDataType																																														
use	required																																														
<table border="1"> <tr><td colspan="2">xsd:attribute</td></tr> <tr><td>name</td><td>ind2</td></tr> <tr><td>type</td><td>indicatorDataType</td></tr> <tr><td>use</td><td>required</td></tr> </table>	xsd:attribute		name	ind2	type	indicatorDataType	use	required																																							
xsd:attribute																																															
name	ind2																																														
type	indicatorDataType																																														
use	required																																														
<table border="1"> <tr><td colspan="2">xsd:complexType</td></tr> <tr><td>name</td><td>tag513Type</td></tr> <tr><td>id</td><td>513Type</td></tr> <tr><td colspan="2">xsd:sequence</td></tr> <tr><td colspan="2">xsd:element</td></tr> <tr><td>name</td><td>_a</td></tr> <tr><td>ncl:chiName</td><td>附加書名頁題名</td></tr> <tr><td>ncl:engName</td><td>Added Title-page Title</td></tr> <tr><td colspan="2">xsd:element</td></tr> <tr><td>name</td><td>_e</td></tr> <tr><td>minOccurs</td><td>0</td></tr> <tr><td>maxOccurs</td><td>unbounded</td></tr> <tr><td>ncl:chiName</td><td>副題名</td></tr> <tr><td>ncl:engName</td><td>Other Title Information</td></tr> <tr><td colspan="2">xsd:element</td></tr> <tr><td>name</td><td>_h</td></tr> <tr><td>minOccurs</td><td>0</td></tr> <tr><td>maxOccurs</td><td>unbounded</td></tr> <tr><td>ncl:chiName</td><td>編次</td></tr> <tr><td>ncl:engName</td><td>Number of Part</td></tr> <tr><td colspan="2">xsd:element</td></tr> <tr><td>name</td><td>_i</td></tr> <tr><td>minOccurs</td><td>0</td></tr> </table>	xsd:complexType		name	tag513Type	id	513Type	xsd:sequence		xsd:element		name	_a	ncl:chiName	附加書名頁題名	ncl:engName	Added Title-page Title	xsd:element		name	_e	minOccurs	0	maxOccurs	unbounded	ncl:chiName	副題名	ncl:engName	Other Title Information	xsd:element		name	_h	minOccurs	0	maxOccurs	unbounded	ncl:chiName	編次	ncl:engName	Number of Part	xsd:element		name	_i	minOccurs	0	
xsd:complexType																																															
name	tag513Type																																														
id	513Type																																														
xsd:sequence																																															
xsd:element																																															
name	_a																																														
ncl:chiName	附加書名頁題名																																														
ncl:engName	Added Title-page Title																																														
xsd:element																																															
name	_e																																														
minOccurs	0																																														
maxOccurs	unbounded																																														
ncl:chiName	副題名																																														
ncl:engName	Other Title Information																																														
xsd:element																																															
name	_h																																														
minOccurs	0																																														
maxOccurs	unbounded																																														
ncl:chiName	編次																																														
ncl:engName	Number of Part																																														
xsd:element																																															
name	_i																																														
minOccurs	0																																														

	<table border="1"> <tr><td>maxOccurs</td><td>unbounded</td></tr> <tr><td>ncl:chiName</td><td>編次名稱</td></tr> <tr><td>ncl:engName</td><td>Name of Part</td></tr> </table>	maxOccurs	unbounded	ncl:chiName	編次名稱	ncl:engName	Name of Part																																																				
maxOccurs	unbounded																																																										
ncl:chiName	編次名稱																																																										
ncl:engName	Name of Part																																																										
<table border="1"> <tr><td colspan="2">xsd:element</td></tr> <tr><td>name</td><td>_j</td></tr> <tr><td>minOccurs</td><td>0</td></tr> <tr><td>ncl:chiName</td><td>卷號或日期</td></tr> <tr><td>ncl:engName</td><td>Volume or Dates Associated with Title</td></tr> </table>	xsd:element		name	_j	minOccurs	0	ncl:chiName	卷號或日期	ncl:engName	Volume or Dates Associated with Title																																																	
xsd:element																																																											
name	_j																																																										
minOccurs	0																																																										
ncl:chiName	卷號或日期																																																										
ncl:engName	Volume or Dates Associated with Title																																																										
<table border="1"> <tr><td colspan="2">xsd:element</td></tr> <tr><td>name</td><td>_n</td></tr> <tr><td>minOccurs</td><td>0</td></tr> <tr><td>ncl:chiName</td><td>其他</td></tr> <tr><td>ncl:engName</td><td>Miscellaneous Information</td></tr> </table>	xsd:element		name	_n	minOccurs	0	ncl:chiName	其他	ncl:engName	Miscellaneous Information																																																	
xsd:element																																																											
name	_n																																																										
minOccurs	0																																																										
ncl:chiName	其他																																																										
ncl:engName	Miscellaneous Information																																																										
<table border="1"> <tr><td colspan="2">xsd:element</td></tr> <tr><td>name</td><td>_p</td></tr> <tr><td>minOccurs</td><td>0</td></tr> <tr><td>ncl:chiName</td><td>卷數</td></tr> <tr><td>ncl:engName</td><td>Chuan</td></tr> </table>	xsd:element		name	_p	minOccurs	0	ncl:chiName	卷數	ncl:engName	Chuan																																																	
xsd:element																																																											
name	_p																																																										
minOccurs	0																																																										
ncl:chiName	卷數																																																										
ncl:engName	Chuan																																																										
<table border="1"> <tr><td colspan="2">xsd:element</td></tr> <tr><td>name</td><td>_z</td></tr> <tr><td>minOccurs</td><td>0</td></tr> <tr><td>ncl:chiName</td><td>語文代碼</td></tr> <tr><td>ncl:engName</td><td>Language of Title</td></tr> </table>	xsd:element		name	_z	minOccurs	0	ncl:chiName	語文代碼	ncl:engName	Language of Title																																																	
xsd:element																																																											
name	_z																																																										
minOccurs	0																																																										
ncl:chiName	語文代碼																																																										
ncl:engName	Language of Title																																																										
<table border="1"> <tr><td colspan="2">xsd:element</td></tr> <tr><td>name</td><td>_r</td></tr> <tr><td>minOccurs</td><td>0</td></tr> <tr><td>ncl:chiName</td><td>羅馬拼音</td></tr> <tr><td>ncl:engName</td><td>Romanization of Added Title-page Title</td></tr> </table>	xsd:element		name	_r	minOccurs	0	ncl:chiName	羅馬拼音	ncl:engName	Romanization of Added Title-page Title																																																	
xsd:element																																																											
name	_r																																																										
minOccurs	0																																																										
ncl:chiName	羅馬拼音																																																										
ncl:engName	Romanization of Added Title-page Title																																																										
<table border="1"> <tr><td colspan="2">xsd:attribute</td></tr> <tr><td>name</td><td>ind1</td></tr> <tr><td>type</td><td>indicatorDataType</td></tr> <tr><td>use</td><td>required</td></tr> </table>	xsd:attribute		name	ind1	type	indicatorDataType	use	required																																																			
xsd:attribute																																																											
name	ind1																																																										
type	indicatorDataType																																																										
use	required																																																										
<table border="1"> <tr><td colspan="2">xsd:attribute</td></tr> <tr><td>name</td><td>ind2</td></tr> <tr><td>type</td><td>indicatorDataType</td></tr> <tr><td>use</td><td>required</td></tr> </table>	xsd:attribute		name	ind2	type	indicatorDataType	use	required																																																			
xsd:attribute																																																											
name	ind2																																																										
type	indicatorDataType																																																										
use	required																																																										
<table border="1"> <tr><td colspan="2">xsd:complexType</td></tr> <tr><td>name</td><td>tag514Type</td></tr> <tr><td>id</td><td>514Type</td></tr> <tr><td colspan="2">xsd:sequence</td></tr> <tr><td colspan="2"> <table border="1"> <tr><td colspan="2">xsd:element</td></tr> <tr><td>name</td><td>_a</td></tr> <tr><td>ncl:chiName</td><td>卷端題名</td></tr> <tr><td>ncl:engName</td><td>Caption Title</td></tr> </table> </td></tr> <tr><td colspan="2"> <table border="1"> <tr><td colspan="2">xsd:element</td></tr> <tr><td>name</td><td>_e</td></tr> <tr><td>minOccurs</td><td>0</td></tr> <tr><td>maxOccurs</td><td>unbounded</td></tr> <tr><td>ncl:chiName</td><td>副題名</td></tr> <tr><td>ncl:engName</td><td>Other Title Information</td></tr> </table> </td></tr> <tr><td colspan="2"> <table border="1"> <tr><td colspan="2">xsd:element</td></tr> <tr><td>name</td><td>_h</td></tr> <tr><td>minOccurs</td><td>0</td></tr> <tr><td>maxOccurs</td><td>unbounded</td></tr> <tr><td>ncl:chiName</td><td>編次</td></tr> <tr><td>ncl:engName</td><td>Number or Part</td></tr> </table> </td></tr> <tr><td colspan="2"> <table border="1"> <tr><td colspan="2">xsd:element</td></tr> <tr><td>name</td><td>_i</td></tr> <tr><td>minOccurs</td><td>0</td></tr> <tr><td>maxOccurs</td><td>unbounded</td></tr> <tr><td>ncl:chiName</td><td>編次名稱</td></tr> </table> </td></tr> </table>	xsd:complexType		name	tag514Type	id	514Type	xsd:sequence		<table border="1"> <tr><td colspan="2">xsd:element</td></tr> <tr><td>name</td><td>_a</td></tr> <tr><td>ncl:chiName</td><td>卷端題名</td></tr> <tr><td>ncl:engName</td><td>Caption Title</td></tr> </table>		xsd:element		name	_a	ncl:chiName	卷端題名	ncl:engName	Caption Title	<table border="1"> <tr><td colspan="2">xsd:element</td></tr> <tr><td>name</td><td>_e</td></tr> <tr><td>minOccurs</td><td>0</td></tr> <tr><td>maxOccurs</td><td>unbounded</td></tr> <tr><td>ncl:chiName</td><td>副題名</td></tr> <tr><td>ncl:engName</td><td>Other Title Information</td></tr> </table>		xsd:element		name	_e	minOccurs	0	maxOccurs	unbounded	ncl:chiName	副題名	ncl:engName	Other Title Information	<table border="1"> <tr><td colspan="2">xsd:element</td></tr> <tr><td>name</td><td>_h</td></tr> <tr><td>minOccurs</td><td>0</td></tr> <tr><td>maxOccurs</td><td>unbounded</td></tr> <tr><td>ncl:chiName</td><td>編次</td></tr> <tr><td>ncl:engName</td><td>Number or Part</td></tr> </table>		xsd:element		name	_h	minOccurs	0	maxOccurs	unbounded	ncl:chiName	編次	ncl:engName	Number or Part	<table border="1"> <tr><td colspan="2">xsd:element</td></tr> <tr><td>name</td><td>_i</td></tr> <tr><td>minOccurs</td><td>0</td></tr> <tr><td>maxOccurs</td><td>unbounded</td></tr> <tr><td>ncl:chiName</td><td>編次名稱</td></tr> </table>		xsd:element		name	_i	minOccurs	0	maxOccurs	unbounded	ncl:chiName	編次名稱	
xsd:complexType																																																											
name	tag514Type																																																										
id	514Type																																																										
xsd:sequence																																																											
<table border="1"> <tr><td colspan="2">xsd:element</td></tr> <tr><td>name</td><td>_a</td></tr> <tr><td>ncl:chiName</td><td>卷端題名</td></tr> <tr><td>ncl:engName</td><td>Caption Title</td></tr> </table>		xsd:element		name	_a	ncl:chiName	卷端題名	ncl:engName	Caption Title																																																		
xsd:element																																																											
name	_a																																																										
ncl:chiName	卷端題名																																																										
ncl:engName	Caption Title																																																										
<table border="1"> <tr><td colspan="2">xsd:element</td></tr> <tr><td>name</td><td>_e</td></tr> <tr><td>minOccurs</td><td>0</td></tr> <tr><td>maxOccurs</td><td>unbounded</td></tr> <tr><td>ncl:chiName</td><td>副題名</td></tr> <tr><td>ncl:engName</td><td>Other Title Information</td></tr> </table>		xsd:element		name	_e	minOccurs	0	maxOccurs	unbounded	ncl:chiName	副題名	ncl:engName	Other Title Information																																														
xsd:element																																																											
name	_e																																																										
minOccurs	0																																																										
maxOccurs	unbounded																																																										
ncl:chiName	副題名																																																										
ncl:engName	Other Title Information																																																										
<table border="1"> <tr><td colspan="2">xsd:element</td></tr> <tr><td>name</td><td>_h</td></tr> <tr><td>minOccurs</td><td>0</td></tr> <tr><td>maxOccurs</td><td>unbounded</td></tr> <tr><td>ncl:chiName</td><td>編次</td></tr> <tr><td>ncl:engName</td><td>Number or Part</td></tr> </table>		xsd:element		name	_h	minOccurs	0	maxOccurs	unbounded	ncl:chiName	編次	ncl:engName	Number or Part																																														
xsd:element																																																											
name	_h																																																										
minOccurs	0																																																										
maxOccurs	unbounded																																																										
ncl:chiName	編次																																																										
ncl:engName	Number or Part																																																										
<table border="1"> <tr><td colspan="2">xsd:element</td></tr> <tr><td>name</td><td>_i</td></tr> <tr><td>minOccurs</td><td>0</td></tr> <tr><td>maxOccurs</td><td>unbounded</td></tr> <tr><td>ncl:chiName</td><td>編次名稱</td></tr> </table>		xsd:element		name	_i	minOccurs	0	maxOccurs	unbounded	ncl:chiName	編次名稱																																																
xsd:element																																																											
name	_i																																																										
minOccurs	0																																																										
maxOccurs	unbounded																																																										
ncl:chiName	編次名稱																																																										

		xs:element	name	_j
			minOccurs	0
			ncl:chiName	卷號或日期
			ncl:engName	Volume or Dates Associated with Title
		xs:element	name	_n
			minOccurs	0
			ncl:chiName	其他
			ncl:engName	Miscellaneous Information
		xs:element	name	_p
			minOccurs	0
			ncl:chiName	卷數
			ncl:engName	Chuan
		xs:element	name	_z
			minOccurs	0
			ncl:chiName	語文代碼
			ncl:engName	Language of Title
		xs:element	name	_r
			minOccurs	0
			ncl:chiName	羅馬拼音
			ncl:engName	Romani zation of Caption Title
xs:attribute			name	ind1
			type	indicatorDataType
			use	required
xs:attribute			name	ind2
			type	indicatorDataType
			use	required
xs:complexType		name	tag515Type	
		id	515Type	
xs:sequence		xs:element	name	_a
			ncl:chiName	逐頁題名
			ncl:engName	Running Title
		xs:element	name	_e
			minOccurs	0
			maxOccurs	unbounded
			ncl:chiName	副題名
			ncl:engName	Other Title Information
		xs:element	name	_h
			minOccurs	0
			maxOccurs	unbounded
			ncl:chiName	編次
			ncl:engName	Number of Part
		xs:element	name	_i
			minOccurs	0
			maxOccurs	unbounded
			ncl:chiName	編次名稱
			ncl:engName	Name of Part
		xs:element	name	

		name	_j
		minOccurs	0
		ncl:chiName	卷號或日期
		ncl:engName	Volume or Dates Associated with Title
▲ xsd:element			
		name	_n
		minOccurs	0
		ncl:chiName	其他
		ncl:engName	Miscellaneous Information
▲ xsd:element			
		name	_p
		minOccurs	0
		ncl:chiName	卷數
		ncl:engName	Chuan
▲ xsd:element			
		name	_z
		minOccurs	0
		ncl:chiName	語文代碼
		ncl:engName	Language of Title
▲ xsd:element			
		name	_r
		minOccurs	0
		ncl:chiName	羅馬拼音
		ncl:engName	Romaniization of Running Title
▲ xsd:attribute			
		name	ind1
		type	indicatorDataType
		use	required
▲ xsd:attribute			
		name	ind2
		type	indicatorDataType
		use	required
▲ xsd:complexType			
		name	tag516Type
		id	516Type
▲ xsd:sequence			
		▲ xsd:element	
		name	_a
		ncl:chiName	書背題名
		ncl:engName	Spine Title
		▲ xsd:element	
		name	_e
		minOccurs	0
		maxOccurs	unbounded
		ncl:chiName	副題名
		ncl:engName	Other Title Information
		▲ xsd:element	
		name	_h
		minOccurs	0
		maxOccurs	unbounded
		ncl:chiName	編次
		ncl:engName	Number of Part
		▲ xsd:element	
		name	_i
		minOccurs	0
		maxOccurs	unbounded
		ncl:chiName	編次名稱
		ncl:engName	Name of Part
		▲ xsd:element	
		name	_j
		minOccurs	0

	<table border="1"> <tr> <td>name</td> <td>卷號或日期</td> </tr> <tr> <td>nclchiName</td> <td>卷號或日期</td> </tr> <tr> <td>nclengName</td> <td>Volume or Dates Associated with Title</td> </tr> </table>	name	卷號或日期	nclchiName	卷號或日期	nclengName	Volume or Dates Associated with Title																																																						
name	卷號或日期																																																												
nclchiName	卷號或日期																																																												
nclengName	Volume or Dates Associated with Title																																																												
xs:element	<table border="1"> <tr> <td>name</td> <td>n</td> </tr> <tr> <td>minOccurs</td> <td>0</td> </tr> <tr> <td>nclchiName</td> <td>其他</td> </tr> <tr> <td>nclengName</td> <td>Miscellaneous Information</td> </tr> </table>	name	n	minOccurs	0	nclchiName	其他	nclengName	Miscellaneous Information																																																				
name	n																																																												
minOccurs	0																																																												
nclchiName	其他																																																												
nclengName	Miscellaneous Information																																																												
xs:element	<table border="1"> <tr> <td>name</td> <td>p</td> </tr> <tr> <td>minOccurs</td> <td>0</td> </tr> <tr> <td>nclchiName</td> <td>卷數</td> </tr> <tr> <td>nclengName</td> <td>Chuan</td> </tr> </table>	name	p	minOccurs	0	nclchiName	卷數	nclengName	Chuan																																																				
name	p																																																												
minOccurs	0																																																												
nclchiName	卷數																																																												
nclengName	Chuan																																																												
xs:element	<table border="1"> <tr> <td>name</td> <td>z</td> </tr> <tr> <td>minOccurs</td> <td>0</td> </tr> <tr> <td>nclchiName</td> <td>語文代碼</td> </tr> <tr> <td>nclengName</td> <td>Language of Title</td> </tr> </table>	name	z	minOccurs	0	nclchiName	語文代碼	nclengName	Language of Title																																																				
name	z																																																												
minOccurs	0																																																												
nclchiName	語文代碼																																																												
nclengName	Language of Title																																																												
xs:element	<table border="1"> <tr> <td>name</td> <td>r</td> </tr> <tr> <td>minOccurs</td> <td>0</td> </tr> <tr> <td>nclchiName</td> <td>羅馬拼音</td> </tr> <tr> <td>nclengName</td> <td>Romanization of Spine Title</td> </tr> </table>	name	r	minOccurs	0	nclchiName	羅馬拼音	nclengName	Romanization of Spine Title																																																				
name	r																																																												
minOccurs	0																																																												
nclchiName	羅馬拼音																																																												
nclengName	Romanization of Spine Title																																																												
xs:attribute	<table border="1"> <tr> <td>name</td> <td>ind1</td> </tr> <tr> <td>type</td> <td>indicatorDataType</td> </tr> <tr> <td>use</td> <td>required</td> </tr> </table>	name	ind1	type	indicatorDataType	use	required																																																						
name	ind1																																																												
type	indicatorDataType																																																												
use	required																																																												
xs:attribute	<table border="1"> <tr> <td>name</td> <td>ind2</td> </tr> <tr> <td>type</td> <td>indicatorDataType</td> </tr> <tr> <td>use</td> <td>required</td> </tr> </table>	name	ind2	type	indicatorDataType	use	required																																																						
name	ind2																																																												
type	indicatorDataType																																																												
use	required																																																												
xs:complexType	<table border="1"> <tr> <td>name</td> <td>tag517Type</td> </tr> <tr> <td>id</td> <td>517Type</td> </tr> <tr> <td>xs:sequence</td> <td> <table border="1"> <tr> <td>xs:element</td> <td> <table border="1"> <tr> <td>name</td> <td>_a</td> </tr> <tr> <td>nclchiName</td> <td>其他題名</td> </tr> <tr> <td>nclengName</td> <td>Variant Title</td> </tr> </table> </td> </tr> <tr> <td>xs:element</td> <td> <table border="1"> <tr> <td>name</td> <td>_e</td> </tr> <tr> <td>minOccurs</td> <td>0</td> </tr> <tr> <td>maxOccurs</td> <td>unbounded</td> </tr> <tr> <td>nclchiName</td> <td>副題名</td> </tr> <tr> <td>nclengName</td> <td>Other Title Information</td> </tr> </table> </td> </tr> <tr> <td>xs:element</td> <td> <table border="1"> <tr> <td>name</td> <td>h</td> </tr> <tr> <td>minOccurs</td> <td>0</td> </tr> <tr> <td>maxOccurs</td> <td>unbounded</td> </tr> <tr> <td>nclchiName</td> <td>編次</td> </tr> <tr> <td>nclengName</td> <td>Number of Part</td> </tr> </table> </td> </tr> <tr> <td>xs:element</td> <td> <table border="1"> <tr> <td>name</td> <td>i</td> </tr> <tr> <td>minOccurs</td> <td>0</td> </tr> <tr> <td>maxOccurs</td> <td>unbounded</td> </tr> <tr> <td>nclchiName</td> <td>編次名稱</td> </tr> <tr> <td>nclengName</td> <td>Name of Part</td> </tr> </table> </td> </tr> <tr> <td>xs:element</td> <td> <table border="1"> <tr> <td>name</td> <td>j</td> </tr> <tr> <td>minOccurs</td> <td>0</td> </tr> <tr> <td>nclchiName</td> <td>卷號或日期</td> </tr> <tr> <td>nclengName</td> <td>Volume or Dates Associated with Title</td> </tr> </table> </td> </tr> </table> </td> </tr> </table>	name	tag517Type	id	517Type	xs:sequence	<table border="1"> <tr> <td>xs:element</td> <td> <table border="1"> <tr> <td>name</td> <td>_a</td> </tr> <tr> <td>nclchiName</td> <td>其他題名</td> </tr> <tr> <td>nclengName</td> <td>Variant Title</td> </tr> </table> </td> </tr> <tr> <td>xs:element</td> <td> <table border="1"> <tr> <td>name</td> <td>_e</td> </tr> <tr> <td>minOccurs</td> <td>0</td> </tr> <tr> <td>maxOccurs</td> <td>unbounded</td> </tr> <tr> <td>nclchiName</td> <td>副題名</td> </tr> <tr> <td>nclengName</td> <td>Other Title Information</td> </tr> </table> </td> </tr> <tr> <td>xs:element</td> <td> <table border="1"> <tr> <td>name</td> <td>h</td> </tr> <tr> <td>minOccurs</td> <td>0</td> </tr> <tr> <td>maxOccurs</td> <td>unbounded</td> </tr> <tr> <td>nclchiName</td> <td>編次</td> </tr> <tr> <td>nclengName</td> <td>Number of Part</td> </tr> </table> </td> </tr> <tr> <td>xs:element</td> <td> <table border="1"> <tr> <td>name</td> <td>i</td> </tr> <tr> <td>minOccurs</td> <td>0</td> </tr> <tr> <td>maxOccurs</td> <td>unbounded</td> </tr> <tr> <td>nclchiName</td> <td>編次名稱</td> </tr> <tr> <td>nclengName</td> <td>Name of Part</td> </tr> </table> </td> </tr> <tr> <td>xs:element</td> <td> <table border="1"> <tr> <td>name</td> <td>j</td> </tr> <tr> <td>minOccurs</td> <td>0</td> </tr> <tr> <td>nclchiName</td> <td>卷號或日期</td> </tr> <tr> <td>nclengName</td> <td>Volume or Dates Associated with Title</td> </tr> </table> </td> </tr> </table>	xs:element	<table border="1"> <tr> <td>name</td> <td>_a</td> </tr> <tr> <td>nclchiName</td> <td>其他題名</td> </tr> <tr> <td>nclengName</td> <td>Variant Title</td> </tr> </table>	name	_a	nclchiName	其他題名	nclengName	Variant Title	xs:element	<table border="1"> <tr> <td>name</td> <td>_e</td> </tr> <tr> <td>minOccurs</td> <td>0</td> </tr> <tr> <td>maxOccurs</td> <td>unbounded</td> </tr> <tr> <td>nclchiName</td> <td>副題名</td> </tr> <tr> <td>nclengName</td> <td>Other Title Information</td> </tr> </table>	name	_e	minOccurs	0	maxOccurs	unbounded	nclchiName	副題名	nclengName	Other Title Information	xs:element	<table border="1"> <tr> <td>name</td> <td>h</td> </tr> <tr> <td>minOccurs</td> <td>0</td> </tr> <tr> <td>maxOccurs</td> <td>unbounded</td> </tr> <tr> <td>nclchiName</td> <td>編次</td> </tr> <tr> <td>nclengName</td> <td>Number of Part</td> </tr> </table>	name	h	minOccurs	0	maxOccurs	unbounded	nclchiName	編次	nclengName	Number of Part	xs:element	<table border="1"> <tr> <td>name</td> <td>i</td> </tr> <tr> <td>minOccurs</td> <td>0</td> </tr> <tr> <td>maxOccurs</td> <td>unbounded</td> </tr> <tr> <td>nclchiName</td> <td>編次名稱</td> </tr> <tr> <td>nclengName</td> <td>Name of Part</td> </tr> </table>	name	i	minOccurs	0	maxOccurs	unbounded	nclchiName	編次名稱	nclengName	Name of Part	xs:element	<table border="1"> <tr> <td>name</td> <td>j</td> </tr> <tr> <td>minOccurs</td> <td>0</td> </tr> <tr> <td>nclchiName</td> <td>卷號或日期</td> </tr> <tr> <td>nclengName</td> <td>Volume or Dates Associated with Title</td> </tr> </table>	name	j	minOccurs	0	nclchiName	卷號或日期	nclengName	Volume or Dates Associated with Title
name	tag517Type																																																												
id	517Type																																																												
xs:sequence	<table border="1"> <tr> <td>xs:element</td> <td> <table border="1"> <tr> <td>name</td> <td>_a</td> </tr> <tr> <td>nclchiName</td> <td>其他題名</td> </tr> <tr> <td>nclengName</td> <td>Variant Title</td> </tr> </table> </td> </tr> <tr> <td>xs:element</td> <td> <table border="1"> <tr> <td>name</td> <td>_e</td> </tr> <tr> <td>minOccurs</td> <td>0</td> </tr> <tr> <td>maxOccurs</td> <td>unbounded</td> </tr> <tr> <td>nclchiName</td> <td>副題名</td> </tr> <tr> <td>nclengName</td> <td>Other Title Information</td> </tr> </table> </td> </tr> <tr> <td>xs:element</td> <td> <table border="1"> <tr> <td>name</td> <td>h</td> </tr> <tr> <td>minOccurs</td> <td>0</td> </tr> <tr> <td>maxOccurs</td> <td>unbounded</td> </tr> <tr> <td>nclchiName</td> <td>編次</td> </tr> <tr> <td>nclengName</td> <td>Number of Part</td> </tr> </table> </td> </tr> <tr> <td>xs:element</td> <td> <table border="1"> <tr> <td>name</td> <td>i</td> </tr> <tr> <td>minOccurs</td> <td>0</td> </tr> <tr> <td>maxOccurs</td> <td>unbounded</td> </tr> <tr> <td>nclchiName</td> <td>編次名稱</td> </tr> <tr> <td>nclengName</td> <td>Name of Part</td> </tr> </table> </td> </tr> <tr> <td>xs:element</td> <td> <table border="1"> <tr> <td>name</td> <td>j</td> </tr> <tr> <td>minOccurs</td> <td>0</td> </tr> <tr> <td>nclchiName</td> <td>卷號或日期</td> </tr> <tr> <td>nclengName</td> <td>Volume or Dates Associated with Title</td> </tr> </table> </td> </tr> </table>	xs:element	<table border="1"> <tr> <td>name</td> <td>_a</td> </tr> <tr> <td>nclchiName</td> <td>其他題名</td> </tr> <tr> <td>nclengName</td> <td>Variant Title</td> </tr> </table>	name	_a	nclchiName	其他題名	nclengName	Variant Title	xs:element	<table border="1"> <tr> <td>name</td> <td>_e</td> </tr> <tr> <td>minOccurs</td> <td>0</td> </tr> <tr> <td>maxOccurs</td> <td>unbounded</td> </tr> <tr> <td>nclchiName</td> <td>副題名</td> </tr> <tr> <td>nclengName</td> <td>Other Title Information</td> </tr> </table>	name	_e	minOccurs	0	maxOccurs	unbounded	nclchiName	副題名	nclengName	Other Title Information	xs:element	<table border="1"> <tr> <td>name</td> <td>h</td> </tr> <tr> <td>minOccurs</td> <td>0</td> </tr> <tr> <td>maxOccurs</td> <td>unbounded</td> </tr> <tr> <td>nclchiName</td> <td>編次</td> </tr> <tr> <td>nclengName</td> <td>Number of Part</td> </tr> </table>	name	h	minOccurs	0	maxOccurs	unbounded	nclchiName	編次	nclengName	Number of Part	xs:element	<table border="1"> <tr> <td>name</td> <td>i</td> </tr> <tr> <td>minOccurs</td> <td>0</td> </tr> <tr> <td>maxOccurs</td> <td>unbounded</td> </tr> <tr> <td>nclchiName</td> <td>編次名稱</td> </tr> <tr> <td>nclengName</td> <td>Name of Part</td> </tr> </table>	name	i	minOccurs	0	maxOccurs	unbounded	nclchiName	編次名稱	nclengName	Name of Part	xs:element	<table border="1"> <tr> <td>name</td> <td>j</td> </tr> <tr> <td>minOccurs</td> <td>0</td> </tr> <tr> <td>nclchiName</td> <td>卷號或日期</td> </tr> <tr> <td>nclengName</td> <td>Volume or Dates Associated with Title</td> </tr> </table>	name	j	minOccurs	0	nclchiName	卷號或日期	nclengName	Volume or Dates Associated with Title						
xs:element	<table border="1"> <tr> <td>name</td> <td>_a</td> </tr> <tr> <td>nclchiName</td> <td>其他題名</td> </tr> <tr> <td>nclengName</td> <td>Variant Title</td> </tr> </table>	name	_a	nclchiName	其他題名	nclengName	Variant Title																																																						
name	_a																																																												
nclchiName	其他題名																																																												
nclengName	Variant Title																																																												
xs:element	<table border="1"> <tr> <td>name</td> <td>_e</td> </tr> <tr> <td>minOccurs</td> <td>0</td> </tr> <tr> <td>maxOccurs</td> <td>unbounded</td> </tr> <tr> <td>nclchiName</td> <td>副題名</td> </tr> <tr> <td>nclengName</td> <td>Other Title Information</td> </tr> </table>	name	_e	minOccurs	0	maxOccurs	unbounded	nclchiName	副題名	nclengName	Other Title Information																																																		
name	_e																																																												
minOccurs	0																																																												
maxOccurs	unbounded																																																												
nclchiName	副題名																																																												
nclengName	Other Title Information																																																												
xs:element	<table border="1"> <tr> <td>name</td> <td>h</td> </tr> <tr> <td>minOccurs</td> <td>0</td> </tr> <tr> <td>maxOccurs</td> <td>unbounded</td> </tr> <tr> <td>nclchiName</td> <td>編次</td> </tr> <tr> <td>nclengName</td> <td>Number of Part</td> </tr> </table>	name	h	minOccurs	0	maxOccurs	unbounded	nclchiName	編次	nclengName	Number of Part																																																		
name	h																																																												
minOccurs	0																																																												
maxOccurs	unbounded																																																												
nclchiName	編次																																																												
nclengName	Number of Part																																																												
xs:element	<table border="1"> <tr> <td>name</td> <td>i</td> </tr> <tr> <td>minOccurs</td> <td>0</td> </tr> <tr> <td>maxOccurs</td> <td>unbounded</td> </tr> <tr> <td>nclchiName</td> <td>編次名稱</td> </tr> <tr> <td>nclengName</td> <td>Name of Part</td> </tr> </table>	name	i	minOccurs	0	maxOccurs	unbounded	nclchiName	編次名稱	nclengName	Name of Part																																																		
name	i																																																												
minOccurs	0																																																												
maxOccurs	unbounded																																																												
nclchiName	編次名稱																																																												
nclengName	Name of Part																																																												
xs:element	<table border="1"> <tr> <td>name</td> <td>j</td> </tr> <tr> <td>minOccurs</td> <td>0</td> </tr> <tr> <td>nclchiName</td> <td>卷號或日期</td> </tr> <tr> <td>nclengName</td> <td>Volume or Dates Associated with Title</td> </tr> </table>	name	j	minOccurs	0	nclchiName	卷號或日期	nclengName	Volume or Dates Associated with Title																																																				
name	j																																																												
minOccurs	0																																																												
nclchiName	卷號或日期																																																												
nclengName	Volume or Dates Associated with Title																																																												

xsd:element		name	n
		minOccurs	0
		nclchiName	其他
		nclengName	Miscellaneous Information
xsd:element		name	p
		minOccurs	0
		nclchiName	卷數
		nclengName	Chuan
xsd:element		name	z
		minOccurs	0
		nclchiName	語文代碼
		nclengName	Language of Title
xsd:element		name	r
		minOccurs	0
		nclchiName	羅馬拼音
		nclengName	Romanization of Other Variant Titles
xsd:attribute		name	ind1
		type	indicatorDataType
		use	required
xsd:attribute		name	ind2
		use	required
		fixed	
xsd:complexType		name	tag520Type
		id	520Type
xsd:sequence		xsd:element	
		name	a
		nclchiName	舊題名
		nclengName	Former Title Proper
		xsd:element	
		name	_e
		minOccurs	0
		maxOccurs	unbounded
		nclchiName	副題名
		nclengName	Other Title Information
		xsd:element	
		name	_h
		minOccurs	0
		maxOccurs	unbounded
		nclchiName	編次
		nclengName	Number of Part
		xsd:element	
		name	i
		minOccurs	0
		maxOccurs	unbounded
		nclchiName	編次名稱
		nclengName	Name of Part
		xsd:element	
		name	j
		minOccurs	0
		nclchiName	卷號或日期
		nclengName	Volumes or Dates of Former Title
		xsd:element	
		name	_n

	<table border="1"> <tr><td>minOccurs</td><td>0</td></tr> <tr><td>nclchiName</td><td>其他</td></tr> <tr><td>nclengName</td><td>Miscellaneous Information</td></tr> </table>	minOccurs	0	nclchiName	其他	nclengName	Miscellaneous Information																																														
minOccurs	0																																																				
nclchiName	其他																																																				
nclengName	Miscellaneous Information																																																				
<table border="1"> <tr><td colspan="2">xsd:element</td></tr> <tr><td>name</td><td>x</td></tr> <tr><td>minOccurs</td><td>0</td></tr> <tr><td>nclchiName</td><td>舊題名之ISSN</td></tr> <tr><td>nclengName</td><td>ISSN of Former Title</td></tr> </table>	xsd:element		name	x	minOccurs	0	nclchiName	舊題名之ISSN	nclengName	ISSN of Former Title	<table border="1"> <tr><td colspan="2">xsd:element</td></tr> <tr><td>name</td><td>z</td></tr> <tr><td>minOccurs</td><td>0</td></tr> <tr><td>nclchiName</td><td>語文代碼</td></tr> <tr><td>nclengName</td><td>Language of Title</td></tr> </table>	xsd:element		name	z	minOccurs	0	nclchiName	語文代碼	nclengName	Language of Title																																
xsd:element																																																					
name	x																																																				
minOccurs	0																																																				
nclchiName	舊題名之ISSN																																																				
nclengName	ISSN of Former Title																																																				
xsd:element																																																					
name	z																																																				
minOccurs	0																																																				
nclchiName	語文代碼																																																				
nclengName	Language of Title																																																				
<table border="1"> <tr><td colspan="2">xsd:element</td></tr> <tr><td>name</td><td>_r</td></tr> <tr><td>minOccurs</td><td>0</td></tr> <tr><td>nclchiName</td><td>羅馬拼音</td></tr> <tr><td>nclengName</td><td>Romanization of Former Titles</td></tr> </table>	xsd:element		name	_r	minOccurs	0	nclchiName	羅馬拼音	nclengName	Romanization of Former Titles																																											
xsd:element																																																					
name	_r																																																				
minOccurs	0																																																				
nclchiName	羅馬拼音																																																				
nclengName	Romanization of Former Titles																																																				
<table border="1"> <tr><td colspan="2">xsd:attribute</td></tr> <tr><td>name</td><td>ind1</td></tr> <tr><td>type</td><td>indicatorDataType</td></tr> <tr><td>use</td><td>required</td></tr> </table>	xsd:attribute		name	ind1	type	indicatorDataType	use	required																																													
xsd:attribute																																																					
name	ind1																																																				
type	indicatorDataType																																																				
use	required																																																				
<table border="1"> <tr><td colspan="2">xsd:attribute</td></tr> <tr><td>name</td><td>ind2</td></tr> <tr><td>type</td><td>indicatorDataType</td></tr> <tr><td>use</td><td>required</td></tr> </table>	xsd:attribute		name	ind2	type	indicatorDataType	use	required																																													
xsd:attribute																																																					
name	ind2																																																				
type	indicatorDataType																																																				
use	required																																																				
<table border="1"> <tr><td colspan="2">xsd:complexType</td></tr> <tr><td>name</td><td>tag530Type</td></tr> <tr><td>id</td><td>530Type</td></tr> <tr><td colspan="2">xsd:sequence</td></tr> <tr><td colspan="2">xsd:element</td></tr> <tr><td>name</td><td>a</td></tr> <tr><td>nclchiName</td><td>識別題名</td></tr> <tr><td>nclengName</td><td>Key Title</td></tr> <tr><td colspan="2">xsd:element</td></tr> <tr><td>name</td><td>b</td></tr> <tr><td>minOccurs</td><td>0</td></tr> <tr><td>nclchiName</td><td>區別字樣</td></tr> <tr><td>nclengName</td><td>Qualifier</td></tr> <tr><td colspan="2">xsd:element</td></tr> <tr><td>name</td><td>j</td></tr> <tr><td>minOccurs</td><td>0</td></tr> <tr><td>nclchiName</td><td>卷號或日期</td></tr> <tr><td>nclengName</td><td>Volume or Dates Associated with Key Title</td></tr> <tr><td colspan="2">xsd:attribute</td></tr> <tr><td>name</td><td>ind1</td></tr> <tr><td>type</td><td>indicatorDataType</td></tr> <tr><td>use</td><td>required</td></tr> <tr><td colspan="2">xsd:attribute</td></tr> <tr><td>name</td><td>ind2</td></tr> <tr><td>use</td><td>required</td></tr> <tr><td>fixed</td><td></td></tr> </table>	xsd:complexType		name	tag530Type	id	530Type	xsd:sequence		xsd:element		name	a	nclchiName	識別題名	nclengName	Key Title	xsd:element		name	b	minOccurs	0	nclchiName	區別字樣	nclengName	Qualifier	xsd:element		name	j	minOccurs	0	nclchiName	卷號或日期	nclengName	Volume or Dates Associated with Key Title	xsd:attribute		name	ind1	type	indicatorDataType	use	required	xsd:attribute		name	ind2	use	required	fixed		
xsd:complexType																																																					
name	tag530Type																																																				
id	530Type																																																				
xsd:sequence																																																					
xsd:element																																																					
name	a																																																				
nclchiName	識別題名																																																				
nclengName	Key Title																																																				
xsd:element																																																					
name	b																																																				
minOccurs	0																																																				
nclchiName	區別字樣																																																				
nclengName	Qualifier																																																				
xsd:element																																																					
name	j																																																				
minOccurs	0																																																				
nclchiName	卷號或日期																																																				
nclengName	Volume or Dates Associated with Key Title																																																				
xsd:attribute																																																					
name	ind1																																																				
type	indicatorDataType																																																				
use	required																																																				
xsd:attribute																																																					
name	ind2																																																				
use	required																																																				
fixed																																																					
<table border="1"> <tr><td colspan="2">xsd:complexType</td></tr> <tr><td>name</td><td>tag531Type</td></tr> <tr><td>id</td><td>531Type</td></tr> <tr><td colspan="2">xsd:sequence</td></tr> <tr><td colspan="2">xsd:element</td></tr> <tr><td>name</td><td>a</td></tr> <tr><td>nclchiName</td><td>簡略題名</td></tr> <tr><td>nclengName</td><td>Abbreviated Title</td></tr> <tr><td colspan="2">xsd:element</td></tr> </table>	xsd:complexType		name	tag531Type	id	531Type	xsd:sequence		xsd:element		name	a	nclchiName	簡略題名	nclengName	Abbreviated Title	xsd:element																																				
xsd:complexType																																																					
name	tag531Type																																																				
id	531Type																																																				
xsd:sequence																																																					
xsd:element																																																					
name	a																																																				
nclchiName	簡略題名																																																				
nclengName	Abbreviated Title																																																				
xsd:element																																																					

		name	b
		minOccurs	0
		nclchiName	區別字樣
		nclengName	Qualifier
xsd:attribute			
		name	ind1
		type	indicatorDataType
		use	required
xsd:attribute			
		name	ind2
		use	required
		fixed	
xsd:complexType			
	name	tag532Type	
	id	532Type	
xsd:sequence			
xsd:element			
	name	a	
	nclchiName	完整題名	
	nclengName	Expanded Title	
xsd:element			
	name	_z	
	minOccurs	0	
	nclchiName	語文代碼	
	nclengName	Language of Title	
xsd:element			
	name	r	
	minOccurs	0	
	nclchiName	羅馬拼音	
	nclengName	Romanization of Expanded Titles	
xsd:attribute			
	name	ind1	
	type	indicatorDataType	
	use	required	
xsd:attribute			
	name	ind2	
	use	required	
	fixed		
xsd:complexType			
	name	tag540Type	
	id	540Type	
xsd:sequence			
xsd:element			
	name	a	
	nclchiName	編目員附加題名	
	nclengName	Additional Title	
xsd:element			
	name	_z	
	minOccurs	0	
	nclchiName	語文代碼	
	nclengName	Language of Title	
xsd:element			
	name	r	
	minOccurs	0	
	nclchiName	羅馬拼音	
	nclengName	Romanization of Additional Title Supplied by Cataloguer	
xsd:attribute			
	name	ind1	
	type	indicatorDataType	
	use	required	
xsd:attribute			

= name	ind2
= type	indicatorDataType
= use	required
▲ xsd:complexType	
= name	tag541Type
= id	541Type
▲ xsd:sequence	
▲ xsd:element	
= name	_a
= ncl:chiName	編目員翻譯題名
= ncl:engName	Translated Title
▲ xsd:element	
= name	_e
= minOccurs	0
= maxOccurs	unbounded
= ncl:chiName	副題名
= ncl:engName	Other Title Information
▲ xsd:element	
= name	_h
= minOccurs	0
= maxOccurs	unbounded
= ncl:chiName	編次
= ncl:engName	Number of a Part
▲ xsd:element	
= name	_i
= minOccurs	0
= maxOccurs	unbounded
= ncl:chiName	編次名稱
= ncl:engName	Name of Part
▲ xsd:element	
= name	_j
= minOccurs	0
= ncl:chiName	卷號或日期
= ncl:engName	Volumes or Dates of Translated Title
▲ xsd:element	
= name	_n
= minOccurs	0
= ncl:chiName	其他
= ncl:engName	Miscellaneous Information
▲ xsd:element	
= name	_p
= minOccurs	0
= ncl:chiName	卷數
= ncl:engName	Chuan
▲ xsd:element	
= name	_z
= minOccurs	0
= ncl:chiName	語文代碼
= ncl:engName	Language of Title
▲ xsd:element	
= name	_r
= minOccurs	0
= ncl:chiName	羅馬拼音
= ncl:engName	Romanization of Translated Title
▲ xsd:attribute	
= name	ind1
= type	indicatorDataType
= use	required
▲ xsd:attribute	
= name	ind2
= use	required

= fixed	
Comment	6XX 「主題分析段」欄位內容宣告
xsd:complexType	
= name	tag600Type
= id	600Type
xsd:sequence	
xsd:element	
= name	_a
= ncl:chiName	標目主體
= ncl:engName	Entry Element
xsd:element	
= name	_b
= minOccurs	0
= ncl:chiName	副標目
= ncl:engName	Part of Name Other than Entry Element
xsd:element	
= name	_c
= minOccurs	0
= ncl:chiName	年代以外之修飾語
= ncl:engName	Additions to Name Other than Dates
xsd:element	
= name	_d
= minOccurs	0
= ncl:chiName	世代數
= ncl:engName	Roman Numerals
xsd:element	
= name	_f
= minOccurs	0
= maxOccurs	unbounded
= ncl:chiName	生卒年代
= ncl:engName	Dates
xsd:element	
= name	_g
= minOccurs	0
= maxOccurs	unbounded
= ncl:chiName	副標目頭字語全名
= ncl:engName	Expansion of Initials of Forename
xsd:element	
= name	_s
= minOccurs	0
= ncl:chiName	朝代
= ncl:engName	Dynasty
xsd:element	
= name	_x
= minOccurs	0
= maxOccurs	unbounded
= ncl:chiName	主題複分
= ncl:engName	Topical Subdivision
xsd:element	
= name	_y
= minOccurs	0
= maxOccurs	unbounded
= ncl:chiName	地區複分
= ncl:engName	Geographical Subdivision
xsd:element	
= name	_z
= minOccurs	0
= maxOccurs	unbounded
= ncl:chiName	時代複分

		= ncl:engName	Chronological Subdivision
xsd:element		= name	2
		= ncl:chiName	標題系統代碼
		= ncl:engName	System Code
xsd:element		= name	3
		= minOccurs	0
		= ncl:chiName	權威記錄號碼
		= ncl:engName	Authority Record Number
xsd:attribute		= name	ind1
		= use	required
xsd:attribute		= name	ind2
		= type	indicatorDataType
		= use	required
xsd:complexType		= name	tag601Type
		= id	601Type
xsd:sequence		xsd:element	
		= name	a
		= ncl:chiName	標目主體
		= ncl:engName	Entry Element
		xsd:element	
		= name	b
		= minOccurs	0
		= maxOccurs	unbounded
		= ncl:chiName	副標目
		= ncl:engName	Subdivision (or name if entered under place)
		xsd:element	
		= name	c
		= minOccurs	0
		= maxOccurs	unbounded
		= ncl:chiName	修飾語
		= ncl:engName	Addition to Name or Qualifier
		xsd:element	
		= name	d
		= minOccurs	0
		= ncl:chiName	會議層次
		= ncl:engName	Number of Meeting and /or Number of Part of a Meeting
		xsd:element	
		= name	e
		= minOccurs	0
		= ncl:chiName	會議地點
		= ncl:engName	Location of Meeting
		xsd:element	
		= name	f
		= minOccurs	0
		= ncl:chiName	會議日期
		= ncl:engName	Date of Meeting
		xsd:element	
		= name	g
		= minOccurs	0
		= ncl:chiName	倒置部份
		= ncl:engName	Inverted Element
xsd:element			

<table border="1"> <tr><td>name</td><td>_h</td></tr> <tr><td>minOccurs</td><td>0</td></tr> <tr><td>maxOccurs</td><td>unbounded</td></tr> <tr><td>ncl:chiName</td><td>其他部份名稱</td></tr> <tr><td>ncl:engName</td><td>Part of Name Other than Entry Element and Inverted Element</td></tr> </table>	name	_h	minOccurs	0	maxOccurs	unbounded	ncl:chiName	其他部份名稱	ncl:engName	Part of Name Other than Entry Element and Inverted Element																				
name	_h																													
minOccurs	0																													
maxOccurs	unbounded																													
ncl:chiName	其他部份名稱																													
ncl:engName	Part of Name Other than Entry Element and Inverted Element																													
<table border="1"> <tr><td colspan="2">xsd:element</td></tr> <tr><td>name</td><td>_s</td></tr> <tr><td>minOccurs</td><td>0</td></tr> <tr><td>ncl:chiName</td><td>朝代</td></tr> <tr><td>ncl:engName</td><td>Dynasty</td></tr> </table>	xsd:element		name	_s	minOccurs	0	ncl:chiName	朝代	ncl:engName	Dynasty																				
xsd:element																														
name	_s																													
minOccurs	0																													
ncl:chiName	朝代																													
ncl:engName	Dynasty																													
<table border="1"> <tr><td colspan="2">xsd:element</td></tr> <tr><td>name</td><td>_x</td></tr> <tr><td>minOccurs</td><td>0</td></tr> <tr><td>maxOccurs</td><td>unbounded</td></tr> <tr><td>ncl:chiName</td><td>主題複分</td></tr> <tr><td>ncl:engName</td><td>Topical Subdivision</td></tr> </table>	xsd:element		name	_x	minOccurs	0	maxOccurs	unbounded	ncl:chiName	主題複分	ncl:engName	Topical Subdivision																		
xsd:element																														
name	_x																													
minOccurs	0																													
maxOccurs	unbounded																													
ncl:chiName	主題複分																													
ncl:engName	Topical Subdivision																													
<table border="1"> <tr><td colspan="2">xsd:element</td></tr> <tr><td>name</td><td>_y</td></tr> <tr><td>minOccurs</td><td>0</td></tr> <tr><td>maxOccurs</td><td>unbounded</td></tr> <tr><td>ncl:chiName</td><td>地區複分</td></tr> <tr><td>ncl:engName</td><td>Geographical Subdivision</td></tr> </table>	xsd:element		name	_y	minOccurs	0	maxOccurs	unbounded	ncl:chiName	地區複分	ncl:engName	Geographical Subdivision																		
xsd:element																														
name	_y																													
minOccurs	0																													
maxOccurs	unbounded																													
ncl:chiName	地區複分																													
ncl:engName	Geographical Subdivision																													
<table border="1"> <tr><td colspan="2">xsd:element</td></tr> <tr><td>name</td><td>_z</td></tr> <tr><td>minOccurs</td><td>0</td></tr> <tr><td>maxOccurs</td><td>unbounded</td></tr> <tr><td>ncl:chiName</td><td>時代複分</td></tr> <tr><td>ncl:engName</td><td>Chronological Subdivision</td></tr> </table>	xsd:element		name	_z	minOccurs	0	maxOccurs	unbounded	ncl:chiName	時代複分	ncl:engName	Chronological Subdivision																		
xsd:element																														
name	_z																													
minOccurs	0																													
maxOccurs	unbounded																													
ncl:chiName	時代複分																													
ncl:engName	Chronological Subdivision																													
<table border="1"> <tr><td colspan="2">xsd:element</td></tr> <tr><td>name</td><td>_2</td></tr> <tr><td>ncl:chiName</td><td>標題系統代碼</td></tr> <tr><td>ncl:engName</td><td>System Code</td></tr> </table>	xsd:element		name	_2	ncl:chiName	標題系統代碼	ncl:engName	System Code																						
xsd:element																														
name	_2																													
ncl:chiName	標題系統代碼																													
ncl:engName	System Code																													
<table border="1"> <tr><td colspan="2">xsd:element</td></tr> <tr><td>name</td><td>_3</td></tr> <tr><td>minOccurs</td><td>0</td></tr> <tr><td>ncl:chiName</td><td>權威記錄號碼</td></tr> <tr><td>ncl:engName</td><td>Authority Record Number</td></tr> </table>	xsd:element		name	_3	minOccurs	0	ncl:chiName	權威記錄號碼	ncl:engName	Authority Record Number																				
xsd:element																														
name	_3																													
minOccurs	0																													
ncl:chiName	權威記錄號碼																													
ncl:engName	Authority Record Number																													
<table border="1"> <tr><td colspan="2">xsd:attribute</td></tr> <tr><td>name</td><td>ind1</td></tr> <tr><td>type</td><td>indicatorDataType</td></tr> <tr><td>use</td><td>required</td></tr> </table>	xsd:attribute		name	ind1	type	indicatorDataType	use	required																						
xsd:attribute																														
name	ind1																													
type	indicatorDataType																													
use	required																													
<table border="1"> <tr><td colspan="2">xsd:attribute</td></tr> <tr><td>name</td><td>ind2</td></tr> <tr><td>type</td><td>indicatorDataType</td></tr> <tr><td>use</td><td>required</td></tr> </table>	xsd:attribute		name	ind2	type	indicatorDataType	use	required																						
xsd:attribute																														
name	ind2																													
type	indicatorDataType																													
use	required																													
<table border="1"> <tr><td colspan="2">xsd:complexType</td></tr> <tr><td>name</td><td>tag602Type</td></tr> <tr><td>id</td><td>602Type</td></tr> <tr><td colspan="2">xsd:sequence</td></tr> <tr><td colspan="2">xsd:element</td></tr> <tr><td>name</td><td>_a</td></tr> <tr><td>ncl:chiName</td><td>標目主體</td></tr> <tr><td>ncl:engName</td><td>Entry Element</td></tr> <tr><td colspan="2">xsd:element</td></tr> <tr><td>name</td><td>_f</td></tr> <tr><td>minOccurs</td><td>0</td></tr> <tr><td>ncl:chiName</td><td>家族年代</td></tr> <tr><td>ncl:engName</td><td>Dates</td></tr> <tr><td colspan="2">xsd:element</td></tr> <tr><td>name</td><td>_x</td></tr> </table>	xsd:complexType		name	tag602Type	id	602Type	xsd:sequence		xsd:element		name	_a	ncl:chiName	標目主體	ncl:engName	Entry Element	xsd:element		name	_f	minOccurs	0	ncl:chiName	家族年代	ncl:engName	Dates	xsd:element		name	_x
xsd:complexType																														
name	tag602Type																													
id	602Type																													
xsd:sequence																														
xsd:element																														
name	_a																													
ncl:chiName	標目主體																													
ncl:engName	Entry Element																													
xsd:element																														
name	_f																													
minOccurs	0																													
ncl:chiName	家族年代																													
ncl:engName	Dates																													
xsd:element																														
name	_x																													

	<table border="1"> <tr><td>minOccurs</td><td>0</td></tr> <tr><td>maxOccurs</td><td>unbounded</td></tr> <tr><td>nclchiName</td><td>主題複分</td></tr> <tr><td>nclengName</td><td>Topical Subdivision</td></tr> </table>	minOccurs	0	maxOccurs	unbounded	nclchiName	主題複分	nclengName	Topical Subdivision																												
minOccurs	0																																				
maxOccurs	unbounded																																				
nclchiName	主題複分																																				
nclengName	Topical Subdivision																																				
<table border="1"> <tr><td colspan="2">xsd:element</td></tr> <tr><td>name</td><td>_y</td></tr> <tr><td>minOccurs</td><td>0</td></tr> <tr><td>maxOccurs</td><td>unbounded</td></tr> <tr><td>nclchiName</td><td>地區複分</td></tr> <tr><td>nclengName</td><td>Geographical Subdivision</td></tr> </table>	xsd:element		name	_y	minOccurs	0	maxOccurs	unbounded	nclchiName	地區複分	nclengName	Geographical Subdivision																									
xsd:element																																					
name	_y																																				
minOccurs	0																																				
maxOccurs	unbounded																																				
nclchiName	地區複分																																				
nclengName	Geographical Subdivision																																				
<table border="1"> <tr><td colspan="2">xsd:element</td></tr> <tr><td>name</td><td>z</td></tr> <tr><td>minOccurs</td><td>0</td></tr> <tr><td>maxOccurs</td><td>unbounded</td></tr> <tr><td>nclchiName</td><td>時代複分</td></tr> <tr><td>nclengName</td><td>Chronological Subdivision</td></tr> </table>	xsd:element		name	z	minOccurs	0	maxOccurs	unbounded	nclchiName	時代複分	nclengName	Chronological Subdivision																									
xsd:element																																					
name	z																																				
minOccurs	0																																				
maxOccurs	unbounded																																				
nclchiName	時代複分																																				
nclengName	Chronological Subdivision																																				
<table border="1"> <tr><td colspan="2">xsd:element</td></tr> <tr><td>name</td><td>2</td></tr> <tr><td>nclchiName</td><td>標題系統代碼</td></tr> <tr><td>nclengName</td><td>System Code</td></tr> </table>	xsd:element		name	2	nclchiName	標題系統代碼	nclengName	System Code																													
xsd:element																																					
name	2																																				
nclchiName	標題系統代碼																																				
nclengName	System Code																																				
<table border="1"> <tr><td colspan="2">xsd:element</td></tr> <tr><td>name</td><td>3</td></tr> <tr><td>minOccurs</td><td>0</td></tr> <tr><td>nclchiName</td><td>權威記錄號碼</td></tr> <tr><td>nclengName</td><td>Authority Record Number</td></tr> </table>	xsd:element		name	3	minOccurs	0	nclchiName	權威記錄號碼	nclengName	Authority Record Number																											
xsd:element																																					
name	3																																				
minOccurs	0																																				
nclchiName	權威記錄號碼																																				
nclengName	Authority Record Number																																				
<table border="1"> <tr><td colspan="2">xsd:attribute</td></tr> <tr><td>name</td><td>ind1</td></tr> <tr><td>use</td><td>required</td></tr> <tr><td>fixed</td><td></td></tr> </table>	xsd:attribute		name	ind1	use	required	fixed																														
xsd:attribute																																					
name	ind1																																				
use	required																																				
fixed																																					
<table border="1"> <tr><td colspan="2">xsd:attribute</td></tr> <tr><td>name</td><td>ind2</td></tr> <tr><td>use</td><td>required</td></tr> <tr><td>fixed</td><td></td></tr> </table>	xsd:attribute		name	ind2	use	required	fixed																														
xsd:attribute																																					
name	ind2																																				
use	required																																				
fixed																																					
<table border="1"> <tr><td colspan="2">xsd:complexType</td></tr> <tr><td>name</td><td>tag604Type</td></tr> <tr><td>id</td><td>604Type</td></tr> <tr><td colspan="2">xsd:sequence</td></tr> <tr><td colspan="2"> <table border="1"> <tr><td colspan="2">xsd:element</td></tr> <tr><td>name</td><td>_1</td></tr> <tr><td>maxOccurs</td><td>unbounded</td></tr> <tr><td>nclchiName</td><td>相關之資料欄位</td></tr> <tr><td>nclengName</td><td>Linking Data</td></tr> </table> </td></tr> <tr><td colspan="2">xsd:attribute</td></tr> <tr><td>name</td><td>ind1</td></tr> <tr><td>use</td><td>required</td></tr> <tr><td>fixed</td><td></td></tr> <tr><td colspan="2">xsd:attribute</td></tr> <tr><td>name</td><td>ind2</td></tr> <tr><td>use</td><td>required</td></tr> <tr><td>fixed</td><td></td></tr> </table>	xsd:complexType		name	tag604Type	id	604Type	xsd:sequence		<table border="1"> <tr><td colspan="2">xsd:element</td></tr> <tr><td>name</td><td>_1</td></tr> <tr><td>maxOccurs</td><td>unbounded</td></tr> <tr><td>nclchiName</td><td>相關之資料欄位</td></tr> <tr><td>nclengName</td><td>Linking Data</td></tr> </table>		xsd:element		name	_1	maxOccurs	unbounded	nclchiName	相關之資料欄位	nclengName	Linking Data	xsd:attribute		name	ind1	use	required	fixed		xsd:attribute		name	ind2	use	required	fixed		
xsd:complexType																																					
name	tag604Type																																				
id	604Type																																				
xsd:sequence																																					
<table border="1"> <tr><td colspan="2">xsd:element</td></tr> <tr><td>name</td><td>_1</td></tr> <tr><td>maxOccurs</td><td>unbounded</td></tr> <tr><td>nclchiName</td><td>相關之資料欄位</td></tr> <tr><td>nclengName</td><td>Linking Data</td></tr> </table>		xsd:element		name	_1	maxOccurs	unbounded	nclchiName	相關之資料欄位	nclengName	Linking Data																										
xsd:element																																					
name	_1																																				
maxOccurs	unbounded																																				
nclchiName	相關之資料欄位																																				
nclengName	Linking Data																																				
xsd:attribute																																					
name	ind1																																				
use	required																																				
fixed																																					
xsd:attribute																																					
name	ind2																																				
use	required																																				
fixed																																					
<table border="1"> <tr><td colspan="2">xsd:complexType</td></tr> <tr><td>name</td><td>tag605Type</td></tr> <tr><td>id</td><td>605Type</td></tr> <tr><td colspan="2">xsd:sequence</td></tr> <tr><td colspan="2"> <table border="1"> <tr><td colspan="2">xsd:element</td></tr> <tr><td>name</td><td>a</td></tr> <tr><td>nclchiName</td><td>標目主體</td></tr> <tr><td>nclengName</td><td>Entry Element</td></tr> </table> </td></tr> <tr><td colspan="2">xsd:element</td></tr> <tr><td>name</td><td>h</td></tr> <tr><td>minOccurs</td><td>0</td></tr> </table>	xsd:complexType		name	tag605Type	id	605Type	xsd:sequence		<table border="1"> <tr><td colspan="2">xsd:element</td></tr> <tr><td>name</td><td>a</td></tr> <tr><td>nclchiName</td><td>標目主體</td></tr> <tr><td>nclengName</td><td>Entry Element</td></tr> </table>		xsd:element		name	a	nclchiName	標目主體	nclengName	Entry Element	xsd:element		name	h	minOccurs	0													
xsd:complexType																																					
name	tag605Type																																				
id	605Type																																				
xsd:sequence																																					
<table border="1"> <tr><td colspan="2">xsd:element</td></tr> <tr><td>name</td><td>a</td></tr> <tr><td>nclchiName</td><td>標目主體</td></tr> <tr><td>nclengName</td><td>Entry Element</td></tr> </table>		xsd:element		name	a	nclchiName	標目主體	nclengName	Entry Element																												
xsd:element																																					
name	a																																				
nclchiName	標目主體																																				
nclengName	Entry Element																																				
xsd:element																																					
name	h																																				
minOccurs	0																																				

	= maxOccurs	unbounded
	= ncl:chiName	編次
	= ncl:engName	Number of Section or Part
▲ xsd:element		
	= name	i
	= minOccurs	0
	= maxOccurs	unbounded
	= ncl:chiName	編次名稱
	= ncl:engName	Name of Section or Part
▲ xsd:element		
	= name	k
	= minOccurs	0
	= ncl:chiName	出版日期
	= ncl:engName	Date of Publication
▲ xsd:element		
	= name	l
	= minOccurs	0
	= maxOccurs	unbounded
	= ncl:chiName	形式副標目
	= ncl:engName	Form Subheading
▲ xsd:element		
	= name	_m
	= minOccurs	0
	= maxOccurs	unbounded
	= ncl:chiName	作品語文
	= ncl:engName	Language (when part of heading)
▲ xsd:element		
	= name	_q
	= minOccurs	0
	= ncl:chiName	譯本／版本
	= ncl:engName	Version (or date of version)
▲ xsd:element		
	= name	_n
	= minOccurs	0
	= maxOccurs	unbounded
	= ncl:chiName	其他
	= ncl:engName	Miscellaneous Information
▲ xsd:element		
	= name	_x
	= minOccurs	0
	= maxOccurs	unbounded
	= ncl:chiName	主題複分
	= ncl:engName	Topical Subdivision
▲ xsd:element		
	= name	_y
	= minOccurs	0
	= maxOccurs	unbounded
	= ncl:chiName	地區複分
	= ncl:engName	Geographical Subdivision
▲ xsd:element		
	= name	_z
	= minOccurs	0
	= maxOccurs	unbounded
	= ncl:chiName	時代複分
	= ncl:engName	Chronological Subdivision
▲ xsd:element		
	= name	_2
	= ncl:chiName	標題系統代碼
	= ncl:engName	System Code

		xsd:element	
= name	_3	= minOccurs	0
= nclchiName	權威記錄號碼	= nclengName	Authority Record Number
xsd:attribute		= name	ind1
= use	required	= fixed	
xsd:attribute		= name	ind2
= use	required	= fixed	
xsd:complexType			
= name	tag606Type	= id	606Type
xsd:sequence			
xsd:element		= name	a
= nclchiName	標目主體	= nclengName	Entry Element
xsd:element		= name	x
= minOccurs	0	= maxOccurs	unbounded
= nclchiName	主題複分	= nclengName	Topical Subdivision
xsd:element		= name	y
= minOccurs	0	= maxOccurs	unbounded
= nclchiName	地區複分	= nclengName	Geographical Subdivision
xsd:element		= name	z
= minOccurs	0	= maxOccurs	unbounded
= nclchiName	時代複分	= nclengName	Chronological Subdivision
xsd:element		= name	_2
= nclchiName	標題系統代碼	= nclengName	System Code
xsd:element		= name	_3
= minOccurs	0	= nclchiName	權威記錄號碼
= nclengName	Authority Record Number		
xsd:attribute		= name	ind1
= use	required	= fixed	
xsd:attribute		= name	ind2
= use	required	= fixed	
xsd:complexType			
= name	tag608Type	= id	608Type
xsd:sequence			
xsd:element			

		name	_a
		nclchiName	檢索名稱
		nclengName	Access Terms
↑ xsd:element			
		name	_x
		minOccurs	0
		maxOccurs	unbounded
		nclchiName	檢索名稱複分
		nclengName	General Subdivision
↑ xsd:element			
		name	_3
		minOccurs	0
		nclchiName	權威記錄號碼
		nclengName	Authority Record Number
↑ xsd:attribute		name	ind1
		type	indicatorDataType
		use	required
↑ xsd:attribute		name	ind2
		type	indicatorDataType
		use	required
↑ xsd:complexType			
name		tag610Type	
id		610Type	
↑ xsd:sequence			
		↑ xsd:element	
		name	_a
		maxOccurs	unbounded
		nclchiName	標目主體
		nclengName	Subject Term
↑ xsd:attribute		name	ind1
		use	required
		fixed	
↑ xsd:attribute		name	ind2
		type	indicatorDataType
		use	required
↑ xsd:complexType			
name		tag620Type	
id		620Type	
↑ xsd:sequence			
		↑ xsd:element	
		name	_a
		minOccurs	0
		nclchiName	國名
		nclengName	Country
		↑ xsd:element	
		name	_b
		minOccurs	0
		nclchiName	州(省)名
		nclengName	State or Province etc.
		↑ xsd:element	
		name	_c
		minOccurs	0
		nclchiName	郡(縣)名
		nclengName	County
		↑ xsd:element	
		name	_d
		minOccurs	0
		nclchiName	市名
		nclengName	City

xsd:attribute		= name	ind1
		= type	indicatorDataType
		= use	required
xsd:attribute		= name	ind2
		= use	required
		= fixed	
xsd:complexType			
		= name	tag626Type
		= id	626Type
xsd:sequence		xsd:element	
		= name	a
		= minOccurs	0
		= ncl:chiName	電腦機型
		= ncl:engName	Make and Model of Machines
		xsd:element	
		= name	_b
		= minOccurs	0
		= ncl:chiName	程式語言
		= ncl:engName	Make and Model of Machines
		xsd:element	
		= name	c
		= minOccurs	0
		= ncl:chiName	操作系統名稱
		= ncl:engName	Operating System
xsd:attribute		= name	ind1
		= use	required
		= fixed	
xsd:attribute		= name	ind2
		= use	required
		= fixed	
xsd:complexType			
		= name	tag660Type
		= id	660Type
xsd:sequence		xsd:element	
		= name	a
		= ncl:chiName	代碼
		= ncl:engName	Code
xsd:attribute		= name	ind1
		= use	required
		= fixed	
xsd:attribute		= name	ind2
		= use	required
		= fixed	
xsd:complexType			
		= name	tag661Type
		= id	661Type
xsd:sequence		xsd:element	
		= name	a
		= ncl:chiName	代碼
		= ncl:engName	Time Period Code
xsd:attribute		= name	ind1
		= use	required

		= fixed	
xsd:attribute		= name	ind2
		= use	required
		= fixed	
xsd:complexType			
= name		tag670Type	
= id		670Type	
xsd:sequence			
xsd:element		= name	_a
		= minOccurs	0
		= ncl:chiName	主題代號
		= ncl:engName	Subject Indicator Number
xsd:element		= name	_c
		= minOccurs	0
		= ncl:chiName	字串
		= ncl:engName	String
xsd:element		= name	_e
		= minOccurs	0
		= maxOccurs	unbounded
		= ncl:chiName	主題參照代號
		= ncl:engName	Reference Indicator Number
xsd:element		= name	_z
		= minOccurs	0
		= ncl:chiName	主題語文代碼
		= ncl:engName	Language of Terms
xsd:attribute		= name	ind1
		= use	required
		= fixed	
xsd:attribute		= name	ind2
		= use	required
		= fixed	
xsd:complexType			
= name		tag675Type	
= id		675Type	
xsd:sequence			
xsd:element		= name	a
		= ncl:chiName	分類號
		= ncl:engName	Number
xsd:element		= name	_v
		= minOccurs	0
		= ncl:chiName	版本
		= ncl:engName	Edition
xsd:element		= name	_z
		= minOccurs	0
		= ncl:chiName	版本語文
		= ncl:engName	Language of Edition
xsd:attribute		= name	ind1
		= use	required
		= fixed	
xsd:attribute		= name	ind2

	use	required
	fixed	
xsd:complexType		
name	tag676Type	
id	676Type	
xsd:sequence		
xsd:element		
name	a	
ncl:chiName	分類號	
ncl:engName	Class Number	
xsd:element		
name	_v	
minOccurs	0	
ncl:chiName	版本	
ncl:engName	Edition	
xsd:attribute		
name	ind1	
use	required	
fixed		
xsd:attribute		
name	ind2	
use	required	
fixed		
xsd:complexType		
name	tag680Type	
id	680Type	
xsd:sequence		
xsd:element		
name	a	
ncl:chiName	分類號	
ncl:engName	Class Number	
xsd:element		
name	_b	
minOccurs	0	
ncl:chiName	書號	
ncl:engName	Book Number	
xsd:attribute		
name	ind1	
use	required	
fixed		
xsd:attribute		
name	ind2	
use	required	
fixed		
xsd:complexType		
name	tag681Type	
id	681Type	
xsd:sequence		
xsd:element		
name	a	
ncl:chiName	分類號	
ncl:engName	Class Number	
xsd:element		
name	_b	
minOccurs	0	
ncl:chiName	書號	
ncl:engName	Book Number	
xsd:element		
name	_v	
minOccurs	0	
ncl:chiName	版本	
ncl:engName	Edition	
xsd:attribute		
name	ind1	

	<table border="1"> <tr><td>use</td><td>required</td></tr> <tr><td>fixed</td><td></td></tr> </table>	use	required	fixed																																																																	
use	required																																																																				
fixed																																																																					
<table border="1"> <tr><td colspan="2">xsd:attribute</td></tr> <tr><td>name</td><td>ind2</td></tr> <tr><td>use</td><td>required</td></tr> <tr><td>fixed</td><td></td></tr> </table>	xsd:attribute		name	ind2	use	required	fixed																																																														
xsd:attribute																																																																					
name	ind2																																																																				
use	required																																																																				
fixed																																																																					
<table border="1"> <tr><td colspan="2">xsd:complexType</td></tr> <tr><td>name</td><td>tag687Type</td></tr> <tr><td>id</td><td>687Type</td></tr> <tr><td colspan="2">xsd:sequence</td></tr> <tr><td colspan="2">xsd:element</td></tr> <tr><td>name</td><td>_a</td></tr> <tr><td>maxOccurs</td><td>unbounded</td></tr> <tr><td>ncl:chiName</td><td>分類號</td></tr> <tr><td>ncl:engName</td><td>Class Number</td></tr> <tr><td colspan="2">xsd:element</td></tr> <tr><td>name</td><td>_b</td></tr> <tr><td>minOccurs</td><td>0</td></tr> <tr><td>maxOccurs</td><td>unbounded</td></tr> <tr><td>ncl:chiName</td><td>書號</td></tr> <tr><td>ncl:engName</td><td>Book Number</td></tr> <tr><td colspan="2">xsd:element</td></tr> <tr><td>name</td><td>_c</td></tr> <tr><td>minOccurs</td><td>0</td></tr> <tr><td>maxOccurs</td><td>unbounded</td></tr> <tr><td>ncl:chiName</td><td>複分</td></tr> <tr><td>ncl:engName</td><td>Classification Subdivision</td></tr> <tr><td colspan="2">xsd:element</td></tr> <tr><td>name</td><td>_d</td></tr> <tr><td>minOccurs</td><td>0</td></tr> <tr><td>ncl:chiName</td><td>分類系統代碼</td></tr> <tr><td>ncl:engName</td><td>System Code</td></tr> <tr><td colspan="2">xsd:attribute</td></tr> <tr><td>name</td><td>ind1</td></tr> <tr><td>use</td><td>required</td></tr> <tr><td>fixed</td><td></td></tr> <tr><td colspan="2">xsd:attribute</td></tr> <tr><td>name</td><td>ind2</td></tr> <tr><td>use</td><td>required</td></tr> <tr><td>fixed</td><td></td></tr> </table>	xsd:complexType		name	tag687Type	id	687Type	xsd:sequence		xsd:element		name	_a	maxOccurs	unbounded	ncl:chiName	分類號	ncl:engName	Class Number	xsd:element		name	_b	minOccurs	0	maxOccurs	unbounded	ncl:chiName	書號	ncl:engName	Book Number	xsd:element		name	_c	minOccurs	0	maxOccurs	unbounded	ncl:chiName	複分	ncl:engName	Classification Subdivision	xsd:element		name	_d	minOccurs	0	ncl:chiName	分類系統代碼	ncl:engName	System Code	xsd:attribute		name	ind1	use	required	fixed		xsd:attribute		name	ind2	use	required	fixed		
xsd:complexType																																																																					
name	tag687Type																																																																				
id	687Type																																																																				
xsd:sequence																																																																					
xsd:element																																																																					
name	_a																																																																				
maxOccurs	unbounded																																																																				
ncl:chiName	分類號																																																																				
ncl:engName	Class Number																																																																				
xsd:element																																																																					
name	_b																																																																				
minOccurs	0																																																																				
maxOccurs	unbounded																																																																				
ncl:chiName	書號																																																																				
ncl:engName	Book Number																																																																				
xsd:element																																																																					
name	_c																																																																				
minOccurs	0																																																																				
maxOccurs	unbounded																																																																				
ncl:chiName	複分																																																																				
ncl:engName	Classification Subdivision																																																																				
xsd:element																																																																					
name	_d																																																																				
minOccurs	0																																																																				
ncl:chiName	分類系統代碼																																																																				
ncl:engName	System Code																																																																				
xsd:attribute																																																																					
name	ind1																																																																				
use	required																																																																				
fixed																																																																					
xsd:attribute																																																																					
name	ind2																																																																				
use	required																																																																				
fixed																																																																					
Comment	7XX 「著者段」欄位內容宣告																																																																				
Comment	1. 個人作者																																																																				
<table border="1"> <tr><td colspan="2">xsd:complexType</td></tr> <tr><td>name</td><td>tag700Type</td></tr> <tr><td>id</td><td>700Type</td></tr> <tr><td colspan="2">xsd:sequence</td></tr> <tr><td colspan="2">xsd:element</td></tr> <tr><td>name</td><td>a</td></tr> <tr><td>maxOccurs</td><td>unbounded</td></tr> <tr><td>ncl:chiName</td><td>標目主體</td></tr> <tr><td>ncl:engName</td><td>Entry Element</td></tr> <tr><td colspan="2">xsd:element</td></tr> <tr><td>name</td><td>_b</td></tr> <tr><td>minOccurs</td><td>0</td></tr> <tr><td>ncl:chiName</td><td>副標目</td></tr> <tr><td>ncl:engName</td><td>Part of Name Other than Element</td></tr> <tr><td colspan="2">xsd:element</td></tr> <tr><td>name</td><td>_c</td></tr> <tr><td>minOccurs</td><td>0</td></tr> <tr><td>maxOccurs</td><td>unbounded</td></tr> <tr><td>ncl:chiName</td><td>年代以外之修飾語</td></tr> </table>	xsd:complexType		name	tag700Type	id	700Type	xsd:sequence		xsd:element		name	a	maxOccurs	unbounded	ncl:chiName	標目主體	ncl:engName	Entry Element	xsd:element		name	_b	minOccurs	0	ncl:chiName	副標目	ncl:engName	Part of Name Other than Element	xsd:element		name	_c	minOccurs	0	maxOccurs	unbounded	ncl:chiName	年代以外之修飾語																															
xsd:complexType																																																																					
name	tag700Type																																																																				
id	700Type																																																																				
xsd:sequence																																																																					
xsd:element																																																																					
name	a																																																																				
maxOccurs	unbounded																																																																				
ncl:chiName	標目主體																																																																				
ncl:engName	Entry Element																																																																				
xsd:element																																																																					
name	_b																																																																				
minOccurs	0																																																																				
ncl:chiName	副標目																																																																				
ncl:engName	Part of Name Other than Element																																																																				
xsd:element																																																																					
name	_c																																																																				
minOccurs	0																																																																				
maxOccurs	unbounded																																																																				
ncl:chiName	年代以外之修飾語																																																																				

	name	nclengName	Additions to Names Other than Dates
xsd:element	name	minOccurs	nclchiName
	d	0	世代數
	nclengName		Roman Numerals
xsd:element	name	minOccurs	nclchiName
	f	0	生卒年代
	nclengName		Dates
xsd:element	name	minOccurs	maxOccurs
	g	0	unbounded
	nclchiName		副標目頭字語全名
	nclengName		Expansion of Initials of Forename
xsd:element	name	minOccurs	nclchiName
	s	0	朝代
	nclengName		Dynasty
xsd:element	name	minOccurs	nclchiName
	_3	0	權威記錄號碼
	nclengName		Authority Record Number
xsd:element	name	minOccurs	maxOccurs
	_4	0	unbounded
	nclchiName		著作方式
	nclengName		Designation of Function
xsd:attribute	name	use	fixed
	ind1	required	
xsd:attribute	name	type	use
	ind2	indicatorDataType	required
xsd:complexType	name	id	
	tag770Type	770Type	
xsd:sequence	xsd:element	name	maxOccurs
		a	unbounded
		nclchiName	標目主體
		nclengName	Entry Element
	xsd:element	name	minOccurs
		b	0
		nclchiName	副標目
		nclengName	Part of Name Other than Entry
	xsd:element	name	minOccurs
		_c	0
		maxOccurs	unbounded
		nclchiName	年代以外之修飾語

	xs:element	name	d	
		minOccurs	0	
		ncl:chiName	世代數	
		ncl:engName	Roman Numerals	
	xs:element	name	f	
		minOccurs	0	
		ncl:chiName	生卒年代	
		ncl:engName	Dates	
	xs:element	name	g	
		minOccurs	0	
		ncl:chiName	副標目頭字語全名	
		ncl:engName	Expansion of Initials of Forename	
	xs:element	name	3	
		minOccurs	0	
		ncl:chiName	權威記錄號碼	
		ncl:engName	Authority Record Number	
	xs:element	name	4	
		minOccurs	0	
		maxOccurs	unbounded	
		ncl:chiName	著作方式	
		ncl:engName	Designation of Function	
	xs:attribute	name	ind1	
		use	required	
		fixed		
	xs:attribute	name	ind2	
		type	indicatorDataType	
		use	required	
	xs:complexType	name	tag702Type	
		id	702Type	
	xs:sequence	xs:element	name	a
			ncl:chiName	標目主體
			ncl:engName	Entry Element
		xs:element	name	b
			minOccurs	0
			ncl:chiName	副標目
			ncl:engName	Part of Name Other than Element
		xs:element	name	c
			minOccurs	0
			maxOccurs	unbounded
			ncl:chiName	年代以外之修飾語
			ncl:engName	Additions to Names Other than Dates
		xs:element	name	d
			minOccurs	0
			ncl:chiName	世代數
			ncl:engName	Roman Numerals
		xs:element		

<table border="1"> <tr><td>name</td><td>_f</td></tr> <tr><td>minOccurs</td><td>0</td></tr> <tr><td>ncl:chiName</td><td>生卒年代</td></tr> <tr><td>ncl:engName</td><td>Dates</td></tr> </table>	name	_f	minOccurs	0	ncl:chiName	生卒年代	ncl:engName	Dates				
name	_f											
minOccurs	0											
ncl:chiName	生卒年代											
ncl:engName	Dates											
<table border="1"> <tr><td colspan="2">xsd:element</td></tr> <tr><td>name</td><td>_g</td></tr> <tr><td>minOccurs</td><td>0</td></tr> <tr><td>ncl:chiName</td><td>副標目頭字語全名</td></tr> <tr><td>ncl:engName</td><td>Expansion of Initials of Forename</td></tr> </table>	xsd:element		name	_g	minOccurs	0	ncl:chiName	副標目頭字語全名	ncl:engName	Expansion of Initials of Forename		
xsd:element												
name	_g											
minOccurs	0											
ncl:chiName	副標目頭字語全名											
ncl:engName	Expansion of Initials of Forename											
<table border="1"> <tr><td colspan="2">xsd:element</td></tr> <tr><td>name</td><td>_s</td></tr> <tr><td>minOccurs</td><td>0</td></tr> <tr><td>ncl:chiName</td><td>朝代</td></tr> <tr><td>ncl:engName</td><td>Dynasty</td></tr> </table>	xsd:element		name	_s	minOccurs	0	ncl:chiName	朝代	ncl:engName	Dynasty		
xsd:element												
name	_s											
minOccurs	0											
ncl:chiName	朝代											
ncl:engName	Dynasty											
<table border="1"> <tr><td colspan="2">xsd:element</td></tr> <tr><td>name</td><td>_t</td></tr> <tr><td>minOccurs</td><td>0</td></tr> <tr><td>ncl:chiName</td><td>題名</td></tr> <tr><td>ncl:engName</td><td>Title</td></tr> </table>	xsd:element		name	_t	minOccurs	0	ncl:chiName	題名	ncl:engName	Title		
xsd:element												
name	_t											
minOccurs	0											
ncl:chiName	題名											
ncl:engName	Title											
<table border="1"> <tr><td colspan="2">xsd:element</td></tr> <tr><td>name</td><td>_3</td></tr> <tr><td>minOccurs</td><td>0</td></tr> <tr><td>ncl:chiName</td><td>權威記錄號碼</td></tr> <tr><td>ncl:engName</td><td>Authority Record Number</td></tr> </table>	xsd:element		name	_3	minOccurs	0	ncl:chiName	權威記錄號碼	ncl:engName	Authority Record Number		
xsd:element												
name	_3											
minOccurs	0											
ncl:chiName	權威記錄號碼											
ncl:engName	Authority Record Number											
<table border="1"> <tr><td colspan="2">xsd:element</td></tr> <tr><td>name</td><td>_4</td></tr> <tr><td>minOccurs</td><td>0</td></tr> <tr><td>maxOccurs</td><td>unbounded</td></tr> <tr><td>ncl:chiName</td><td>著作方式</td></tr> <tr><td>ncl:engName</td><td>Designation of Function</td></tr> </table>	xsd:element		name	_4	minOccurs	0	maxOccurs	unbounded	ncl:chiName	著作方式	ncl:engName	Designation of Function
xsd:element												
name	_4											
minOccurs	0											
maxOccurs	unbounded											
ncl:chiName	著作方式											
ncl:engName	Designation of Function											
<table border="1"> <tr><td colspan="2">xsd:attribute</td></tr> <tr><td>name</td><td>ind1</td></tr> <tr><td>use</td><td>required</td></tr> <tr><td>fixed</td><td></td></tr> </table>	xsd:attribute		name	ind1	use	required	fixed					
xsd:attribute												
name	ind1											
use	required											
fixed												
<table border="1"> <tr><td colspan="2">xsd:attribute</td></tr> <tr><td>name</td><td>ind2</td></tr> <tr><td>type</td><td>indicatorDataType</td></tr> <tr><td>use</td><td>required</td></tr> </table>	xsd:attribute		name	ind2	type	indicatorDataType	use	required				
xsd:attribute												
name	ind2											
type	indicatorDataType											
use	required											

Comment 2. 圖體作者

<table border="1"> <tr><td colspan="2">xsd:complexType</td></tr> <tr><td>name</td><td>tag710Type</td></tr> <tr><td>id</td><td>710Type</td></tr> <tr><td colspan="2">xsd:sequence</td></tr> <tr><td colspan="2">xsd:element</td></tr> <tr><td>name</td><td>_a</td></tr> <tr><td>ncl:chiName</td><td>標目主體</td></tr> <tr><td>ncl:engName</td><td>Entry Element</td></tr> <tr><td colspan="2">xsd:element</td></tr> <tr><td>name</td><td>_b</td></tr> <tr><td>minOccurs</td><td>0</td></tr> <tr><td>maxOccurs</td><td>unbounded</td></tr> <tr><td>ncl:chiName</td><td>副標目</td></tr> <tr><td>ncl:engName</td><td>Subdivision</td></tr> <tr><td colspan="2">xsd:element</td></tr> <tr><td>name</td><td>_c</td></tr> <tr><td>minOccurs</td><td>0</td></tr> <tr><td>maxOccurs</td><td>unbounded</td></tr> <tr><td>ncl:chiName</td><td>修飾語</td></tr> <tr><td>ncl:engName</td><td>Addition to Name or Qualifier</td></tr> <tr><td colspan="2">xsd:element</td></tr> <tr><td>name</td><td>d</td></tr> </table>	xsd:complexType		name	tag710Type	id	710Type	xsd:sequence		xsd:element		name	_a	ncl:chiName	標目主體	ncl:engName	Entry Element	xsd:element		name	_b	minOccurs	0	maxOccurs	unbounded	ncl:chiName	副標目	ncl:engName	Subdivision	xsd:element		name	_c	minOccurs	0	maxOccurs	unbounded	ncl:chiName	修飾語	ncl:engName	Addition to Name or Qualifier	xsd:element		name	d
xsd:complexType																																												
name	tag710Type																																											
id	710Type																																											
xsd:sequence																																												
xsd:element																																												
name	_a																																											
ncl:chiName	標目主體																																											
ncl:engName	Entry Element																																											
xsd:element																																												
name	_b																																											
minOccurs	0																																											
maxOccurs	unbounded																																											
ncl:chiName	副標目																																											
ncl:engName	Subdivision																																											
xsd:element																																												
name	_c																																											
minOccurs	0																																											
maxOccurs	unbounded																																											
ncl:chiName	修飾語																																											
ncl:engName	Addition to Name or Qualifier																																											
xsd:element																																												
name	d																																											

<table border="1"> <tr><td>minOccurs</td><td>0</td></tr> <tr><td>nclchiName</td><td>會議屆次</td></tr> <tr><td>nclengName</td><td>Number of Meeting and / or Number of Part of Meeting</td></tr> </table>	minOccurs	0	nclchiName	會議屆次	nclengName	Number of Meeting and / or Number of Part of Meeting																		
minOccurs	0																							
nclchiName	會議屆次																							
nclengName	Number of Meeting and / or Number of Part of Meeting																							
<table border="1"> <tr><td colspan="2">xsd:element</td></tr> <tr><td>name</td><td>e</td></tr> <tr><td>minOccurs</td><td>0</td></tr> <tr><td>nclchiName</td><td>會議地點</td></tr> <tr><td>nclengName</td><td>Location of Meeting</td></tr> </table>	xsd:element		name	e	minOccurs	0	nclchiName	會議地點	nclengName	Location of Meeting														
xsd:element																								
name	e																							
minOccurs	0																							
nclchiName	會議地點																							
nclengName	Location of Meeting																							
<table border="1"> <tr><td colspan="2">xsd:element</td></tr> <tr><td>name</td><td>f</td></tr> <tr><td>minOccurs</td><td>0</td></tr> <tr><td>nclchiName</td><td>會議日期</td></tr> <tr><td>nclengName</td><td>Date of Meeting</td></tr> </table>	xsd:element		name	f	minOccurs	0	nclchiName	會議日期	nclengName	Date of Meeting														
xsd:element																								
name	f																							
minOccurs	0																							
nclchiName	會議日期																							
nclengName	Date of Meeting																							
<table border="1"> <tr><td colspan="2">xsd:element</td></tr> <tr><td>name</td><td>g</td></tr> <tr><td>minOccurs</td><td>0</td></tr> <tr><td>nclchiName</td><td>倒置部份</td></tr> <tr><td>nclengName</td><td>Inverted Element</td></tr> </table>	xsd:element		name	g	minOccurs	0	nclchiName	倒置部份	nclengName	Inverted Element														
xsd:element																								
name	g																							
minOccurs	0																							
nclchiName	倒置部份																							
nclengName	Inverted Element																							
<table border="1"> <tr><td colspan="2">xsd:element</td></tr> <tr><td>name</td><td>h</td></tr> <tr><td>minOccurs</td><td>0</td></tr> <tr><td>maxOccurs</td><td>unbounded</td></tr> <tr><td>nclchiName</td><td>其他部份名稱</td></tr> <tr><td>nclengName</td><td>Part of Name Other than Entry Element and Inverted Element</td></tr> </table>	xsd:element		name	h	minOccurs	0	maxOccurs	unbounded	nclchiName	其他部份名稱	nclengName	Part of Name Other than Entry Element and Inverted Element												
xsd:element																								
name	h																							
minOccurs	0																							
maxOccurs	unbounded																							
nclchiName	其他部份名稱																							
nclengName	Part of Name Other than Entry Element and Inverted Element																							
<table border="1"> <tr><td colspan="2">xsd:element</td></tr> <tr><td>name</td><td>s</td></tr> <tr><td>minOccurs</td><td>0</td></tr> <tr><td>nclchiName</td><td>朝代</td></tr> <tr><td>nclengName</td><td>Dynasty</td></tr> </table>	xsd:element		name	s	minOccurs	0	nclchiName	朝代	nclengName	Dynasty														
xsd:element																								
name	s																							
minOccurs	0																							
nclchiName	朝代																							
nclengName	Dynasty																							
<table border="1"> <tr><td colspan="2">xsd:element</td></tr> <tr><td>name</td><td>_3</td></tr> <tr><td>minOccurs</td><td>0</td></tr> <tr><td>nclchiName</td><td>權威記錄號碼</td></tr> <tr><td>nclengName</td><td>Authority Record Number</td></tr> </table>	xsd:element		name	_3	minOccurs	0	nclchiName	權威記錄號碼	nclengName	Authority Record Number														
xsd:element																								
name	_3																							
minOccurs	0																							
nclchiName	權威記錄號碼																							
nclengName	Authority Record Number																							
<table border="1"> <tr><td colspan="2">xsd:element</td></tr> <tr><td>name</td><td>4</td></tr> <tr><td>minOccurs</td><td>0</td></tr> <tr><td>maxOccurs</td><td>unbounded</td></tr> <tr><td>nclchiName</td><td>著作方式</td></tr> <tr><td>nclengName</td><td>Designation of Function</td></tr> </table>	xsd:element		name	4	minOccurs	0	maxOccurs	unbounded	nclchiName	著作方式	nclengName	Designation of Function												
xsd:element																								
name	4																							
minOccurs	0																							
maxOccurs	unbounded																							
nclchiName	著作方式																							
nclengName	Designation of Function																							
<table border="1"> <tr><td colspan="2">xsd:attribute</td></tr> <tr><td>name</td><td>ind1</td></tr> <tr><td>type</td><td>indicatorDataType</td></tr> <tr><td>use</td><td>required</td></tr> </table>	xsd:attribute		name	ind1	type	indicatorDataType	use	required																
xsd:attribute																								
name	ind1																							
type	indicatorDataType																							
use	required																							
<table border="1"> <tr><td colspan="2">xsd:attribute</td></tr> <tr><td>name</td><td>ind2</td></tr> <tr><td>type</td><td>indicatorDataType</td></tr> <tr><td>use</td><td>required</td></tr> </table>	xsd:attribute		name	ind2	type	indicatorDataType	use	required																
xsd:attribute																								
name	ind2																							
type	indicatorDataType																							
use	required																							
<table border="1"> <tr><td colspan="2">xsd:complexType</td></tr> <tr><td>name</td><td>tag780Type</td></tr> <tr><td>id</td><td>780Type</td></tr> <tr><td colspan="2">xsd:sequence</td></tr> <tr><td colspan="2">xsd:element</td></tr> <tr><td>name</td><td>a</td></tr> <tr><td>nclchiName</td><td>標目主體</td></tr> <tr><td>nclengName</td><td>Entry Element</td></tr> <tr><td colspan="2">xsd:element</td></tr> <tr><td>name</td><td>_b</td></tr> <tr><td>minOccurs</td><td>0</td></tr> <tr><td>maxOccurs</td><td>unbounded</td></tr> </table>	xsd:complexType		name	tag780Type	id	780Type	xsd:sequence		xsd:element		name	a	nclchiName	標目主體	nclengName	Entry Element	xsd:element		name	_b	minOccurs	0	maxOccurs	unbounded
xsd:complexType																								
name	tag780Type																							
id	780Type																							
xsd:sequence																								
xsd:element																								
name	a																							
nclchiName	標目主體																							
nclengName	Entry Element																							
xsd:element																								
name	_b																							
minOccurs	0																							
maxOccurs	unbounded																							

	ncl:chiName	副標目
	ncl:engName	Subdivision (or name if entered under place)
↑ xsd:element	name	_c
	minOccurs	0
	maxOccurs	unbounded
	ncl:chiName	修飾語
	ncl:engName	Addition to Name or Qualifier
↑ xsd:element	name	_d
	minOccurs	0
	ncl:chiName	會議屆次
	ncl:engName	Number of Meeting
↑ xsd:element	name	_e
	minOccurs	0
	ncl:chiName	會議地點
	ncl:engName	Location of Meeting
↑ xsd:element	name	_f
	minOccurs	0
	ncl:chiName	會議日期
	ncl:engName	Date of Meeting
↑ xsd:element	name	_g
	minOccurs	0
	ncl:chiName	倒置部份
	ncl:engName	Inverted Element
↑ xsd:element	name	_h
	minOccurs	0
	maxOccurs	unbounded
	ncl:chiName	其他部份名稱
	ncl:engName	Part of Name Other than Entry Element and Inverted Element
↑ xsd:element	name	_3
	minOccurs	0
	ncl:chiName	權威記錄號碼
	ncl:engName	Authority Record Number
↑ xsd:element	name	_4
	minOccurs	0
	maxOccurs	unbounded
	ncl:chiName	著作方式
	ncl:engName	Designation of Function
↑ xsd:attribute	name	ind1
	type	indicatorDataType
	use	required
↑ xsd:attribute	name	ind2
	type	indicatorDataType
	use	required
↑ xsd:complexType	name	tag712Type
	id	712Type
↑ xsd:sequence	↑ xsd:element	name
		ncl:chiName
		標目主體


	= nclengName	Entry Element
▲ xsd:element	= name	b
	= minOccurs	0
	= maxOccurs	unbounded
	= nclchiName	副標目
	= nclengName	Subdivision
▲ xsd:element	= name	_c
	= minOccurs	0
	= maxOccurs	unbounded
	= nclchiName	修飾語
	= nclengName	Addition to Name or Qualifier
▲ xsd:element	= name	d
	= minOccurs	0
	= nclchiName	會議屆次
	= nclengName	Number of Meeting and /or Number of Part of Meeting
▲ xsd:element	= name	_e
	= minOccurs	0
	= nclchiName	會議地點
	= nclengName	Location of Meeting
▲ xsd:element	= name	f
	= minOccurs	0
	= nclchiName	會議日期
	= nclengName	Date of Meeting
▲ xsd:element	= name	_g
	= minOccurs	0
	= nclchiName	倒置部份
	= nclengName	Inverted Element
▲ xsd:element	= name	h
	= minOccurs	0
	= maxOccurs	unbounded
	= nclchiName	其他部份名稱
	= nclengName	Part of Name Other than Entry Element and Inverted Element
▲ xsd:element	= name	_s
	= minOccurs	0
	= nclchiName	朝代
	= nclengName	Dynasty
▲ xsd:element	= name	_t
	= minOccurs	0
	= nclchiName	題名
	= nclengName	Title
▲ xsd:element	= name	_3
	= minOccurs	0
	= nclchiName	權威記錄號碼
	= nclengName	Authority Record Number
▲ xsd:element	= name	_4
	= minOccurs	0
	= maxOccurs	unbounded
	= nclchiName	著作方式

	<table border="1"> <tr> <td>xs:attribute</td> <td> <table border="1"> <tr><td>name</td><td>ind1</td></tr> <tr><td>type</td><td>indicatorDataType</td></tr> <tr><td>use</td><td>required</td></tr> </table> </td> <td> <table border="1"> <tr><td>ncl:engName</td><td>Designation of Function</td></tr> </table> </td> </tr> <tr> <td>xs:attribute</td> <td> <table border="1"> <tr><td>name</td><td>ind2</td></tr> <tr><td>type</td><td>indicatorDataType</td></tr> <tr><td>use</td><td>required</td></tr> </table> </td> <td></td> </tr> </table>	xs:attribute	<table border="1"> <tr><td>name</td><td>ind1</td></tr> <tr><td>type</td><td>indicatorDataType</td></tr> <tr><td>use</td><td>required</td></tr> </table>	name	ind1	type	indicatorDataType	use	required	<table border="1"> <tr><td>ncl:engName</td><td>Designation of Function</td></tr> </table>	ncl:engName	Designation of Function	xs:attribute	<table border="1"> <tr><td>name</td><td>ind2</td></tr> <tr><td>type</td><td>indicatorDataType</td></tr> <tr><td>use</td><td>required</td></tr> </table>	name	ind2	type	indicatorDataType	use	required																																												
xs:attribute	<table border="1"> <tr><td>name</td><td>ind1</td></tr> <tr><td>type</td><td>indicatorDataType</td></tr> <tr><td>use</td><td>required</td></tr> </table>	name	ind1	type	indicatorDataType	use	required	<table border="1"> <tr><td>ncl:engName</td><td>Designation of Function</td></tr> </table>	ncl:engName	Designation of Function																																																						
name	ind1																																																															
type	indicatorDataType																																																															
use	required																																																															
ncl:engName	Designation of Function																																																															
xs:attribute	<table border="1"> <tr><td>name</td><td>ind2</td></tr> <tr><td>type</td><td>indicatorDataType</td></tr> <tr><td>use</td><td>required</td></tr> </table>	name	ind2	type	indicatorDataType	use	required																																																									
name	ind2																																																															
type	indicatorDataType																																																															
use	required																																																															
Comment	3. 家族作者																																																															
xs:complexType	<table border="1"> <tr><td>name</td><td>tag720Type</td></tr> <tr><td>id</td><td>720Type</td></tr> <tr><td>xs:sequence</td><td> <table border="1"> <tr><td>xs:element</td><td> <table border="1"> <tr><td>name</td><td>_a</td></tr> <tr><td>ncl:chiName</td><td>標目主體</td></tr> <tr><td>ncl:engName</td><td>Entry Element</td></tr> </table> </td></tr> <tr><td>xs:element</td><td> <table border="1"> <tr><td>name</td><td>_f</td></tr> <tr><td>minOccurs</td><td>0</td></tr> <tr><td>ncl:chiName</td><td>家族年代</td></tr> <tr><td>ncl:engName</td><td>Dates</td></tr> </table> </td></tr> <tr><td>xs:element</td><td> <table border="1"> <tr><td>name</td><td>_3</td></tr> <tr><td>minOccurs</td><td>0</td></tr> <tr><td>ncl:chiName</td><td>權威記錄號碼</td></tr> <tr><td>ncl:engName</td><td>Authority Record Number</td></tr> </table> </td></tr> <tr><td>xs:element</td><td> <table border="1"> <tr><td>name</td><td>_4</td></tr> <tr><td>minOccurs</td><td>0</td></tr> <tr><td>maxOccurs</td><td>unbounded</td></tr> <tr><td>ncl:chiName</td><td>著作方式</td></tr> <tr><td>ncl:engName</td><td>Designation of Function</td></tr> </table> </td></tr> <tr><td>xs:attribute</td><td> <table border="1"> <tr><td>name</td><td>ind1</td></tr> <tr><td>use</td><td>required</td></tr> <tr><td>fixed</td><td></td></tr> </table> </td></tr> <tr><td>xs:attribute</td><td> <table border="1"> <tr><td>name</td><td>ind2</td></tr> <tr><td>use</td><td>required</td></tr> <tr><td>fixed</td><td></td></tr> </table> </td></tr> </table> </td></tr> </table>		name	tag720Type	id	720Type	xs:sequence	<table border="1"> <tr><td>xs:element</td><td> <table border="1"> <tr><td>name</td><td>_a</td></tr> <tr><td>ncl:chiName</td><td>標目主體</td></tr> <tr><td>ncl:engName</td><td>Entry Element</td></tr> </table> </td></tr> <tr><td>xs:element</td><td> <table border="1"> <tr><td>name</td><td>_f</td></tr> <tr><td>minOccurs</td><td>0</td></tr> <tr><td>ncl:chiName</td><td>家族年代</td></tr> <tr><td>ncl:engName</td><td>Dates</td></tr> </table> </td></tr> <tr><td>xs:element</td><td> <table border="1"> <tr><td>name</td><td>_3</td></tr> <tr><td>minOccurs</td><td>0</td></tr> <tr><td>ncl:chiName</td><td>權威記錄號碼</td></tr> <tr><td>ncl:engName</td><td>Authority Record Number</td></tr> </table> </td></tr> <tr><td>xs:element</td><td> <table border="1"> <tr><td>name</td><td>_4</td></tr> <tr><td>minOccurs</td><td>0</td></tr> <tr><td>maxOccurs</td><td>unbounded</td></tr> <tr><td>ncl:chiName</td><td>著作方式</td></tr> <tr><td>ncl:engName</td><td>Designation of Function</td></tr> </table> </td></tr> <tr><td>xs:attribute</td><td> <table border="1"> <tr><td>name</td><td>ind1</td></tr> <tr><td>use</td><td>required</td></tr> <tr><td>fixed</td><td></td></tr> </table> </td></tr> <tr><td>xs:attribute</td><td> <table border="1"> <tr><td>name</td><td>ind2</td></tr> <tr><td>use</td><td>required</td></tr> <tr><td>fixed</td><td></td></tr> </table> </td></tr> </table>	xs:element	<table border="1"> <tr><td>name</td><td>_a</td></tr> <tr><td>ncl:chiName</td><td>標目主體</td></tr> <tr><td>ncl:engName</td><td>Entry Element</td></tr> </table>	name	_a	ncl:chiName	標目主體	ncl:engName	Entry Element	xs:element	<table border="1"> <tr><td>name</td><td>_f</td></tr> <tr><td>minOccurs</td><td>0</td></tr> <tr><td>ncl:chiName</td><td>家族年代</td></tr> <tr><td>ncl:engName</td><td>Dates</td></tr> </table>	name	_f	minOccurs	0	ncl:chiName	家族年代	ncl:engName	Dates	xs:element	<table border="1"> <tr><td>name</td><td>_3</td></tr> <tr><td>minOccurs</td><td>0</td></tr> <tr><td>ncl:chiName</td><td>權威記錄號碼</td></tr> <tr><td>ncl:engName</td><td>Authority Record Number</td></tr> </table>	name	_3	minOccurs	0	ncl:chiName	權威記錄號碼	ncl:engName	Authority Record Number	xs:element	<table border="1"> <tr><td>name</td><td>_4</td></tr> <tr><td>minOccurs</td><td>0</td></tr> <tr><td>maxOccurs</td><td>unbounded</td></tr> <tr><td>ncl:chiName</td><td>著作方式</td></tr> <tr><td>ncl:engName</td><td>Designation of Function</td></tr> </table>	name	_4	minOccurs	0	maxOccurs	unbounded	ncl:chiName	著作方式	ncl:engName	Designation of Function	xs:attribute	<table border="1"> <tr><td>name</td><td>ind1</td></tr> <tr><td>use</td><td>required</td></tr> <tr><td>fixed</td><td></td></tr> </table>	name	ind1	use	required	fixed		xs:attribute	<table border="1"> <tr><td>name</td><td>ind2</td></tr> <tr><td>use</td><td>required</td></tr> <tr><td>fixed</td><td></td></tr> </table>	name	ind2	use	required	fixed	
name	tag720Type																																																															
id	720Type																																																															
xs:sequence	<table border="1"> <tr><td>xs:element</td><td> <table border="1"> <tr><td>name</td><td>_a</td></tr> <tr><td>ncl:chiName</td><td>標目主體</td></tr> <tr><td>ncl:engName</td><td>Entry Element</td></tr> </table> </td></tr> <tr><td>xs:element</td><td> <table border="1"> <tr><td>name</td><td>_f</td></tr> <tr><td>minOccurs</td><td>0</td></tr> <tr><td>ncl:chiName</td><td>家族年代</td></tr> <tr><td>ncl:engName</td><td>Dates</td></tr> </table> </td></tr> <tr><td>xs:element</td><td> <table border="1"> <tr><td>name</td><td>_3</td></tr> <tr><td>minOccurs</td><td>0</td></tr> <tr><td>ncl:chiName</td><td>權威記錄號碼</td></tr> <tr><td>ncl:engName</td><td>Authority Record Number</td></tr> </table> </td></tr> <tr><td>xs:element</td><td> <table border="1"> <tr><td>name</td><td>_4</td></tr> <tr><td>minOccurs</td><td>0</td></tr> <tr><td>maxOccurs</td><td>unbounded</td></tr> <tr><td>ncl:chiName</td><td>著作方式</td></tr> <tr><td>ncl:engName</td><td>Designation of Function</td></tr> </table> </td></tr> <tr><td>xs:attribute</td><td> <table border="1"> <tr><td>name</td><td>ind1</td></tr> <tr><td>use</td><td>required</td></tr> <tr><td>fixed</td><td></td></tr> </table> </td></tr> <tr><td>xs:attribute</td><td> <table border="1"> <tr><td>name</td><td>ind2</td></tr> <tr><td>use</td><td>required</td></tr> <tr><td>fixed</td><td></td></tr> </table> </td></tr> </table>	xs:element	<table border="1"> <tr><td>name</td><td>_a</td></tr> <tr><td>ncl:chiName</td><td>標目主體</td></tr> <tr><td>ncl:engName</td><td>Entry Element</td></tr> </table>	name	_a	ncl:chiName	標目主體	ncl:engName	Entry Element	xs:element	<table border="1"> <tr><td>name</td><td>_f</td></tr> <tr><td>minOccurs</td><td>0</td></tr> <tr><td>ncl:chiName</td><td>家族年代</td></tr> <tr><td>ncl:engName</td><td>Dates</td></tr> </table>	name	_f	minOccurs	0	ncl:chiName	家族年代	ncl:engName	Dates	xs:element	<table border="1"> <tr><td>name</td><td>_3</td></tr> <tr><td>minOccurs</td><td>0</td></tr> <tr><td>ncl:chiName</td><td>權威記錄號碼</td></tr> <tr><td>ncl:engName</td><td>Authority Record Number</td></tr> </table>	name	_3	minOccurs	0	ncl:chiName	權威記錄號碼	ncl:engName	Authority Record Number	xs:element	<table border="1"> <tr><td>name</td><td>_4</td></tr> <tr><td>minOccurs</td><td>0</td></tr> <tr><td>maxOccurs</td><td>unbounded</td></tr> <tr><td>ncl:chiName</td><td>著作方式</td></tr> <tr><td>ncl:engName</td><td>Designation of Function</td></tr> </table>	name	_4	minOccurs	0	maxOccurs	unbounded	ncl:chiName	著作方式	ncl:engName	Designation of Function	xs:attribute	<table border="1"> <tr><td>name</td><td>ind1</td></tr> <tr><td>use</td><td>required</td></tr> <tr><td>fixed</td><td></td></tr> </table>	name	ind1	use	required	fixed		xs:attribute	<table border="1"> <tr><td>name</td><td>ind2</td></tr> <tr><td>use</td><td>required</td></tr> <tr><td>fixed</td><td></td></tr> </table>	name	ind2	use	required	fixed								
xs:element	<table border="1"> <tr><td>name</td><td>_a</td></tr> <tr><td>ncl:chiName</td><td>標目主體</td></tr> <tr><td>ncl:engName</td><td>Entry Element</td></tr> </table>	name	_a	ncl:chiName	標目主體	ncl:engName	Entry Element																																																									
name	_a																																																															
ncl:chiName	標目主體																																																															
ncl:engName	Entry Element																																																															
xs:element	<table border="1"> <tr><td>name</td><td>_f</td></tr> <tr><td>minOccurs</td><td>0</td></tr> <tr><td>ncl:chiName</td><td>家族年代</td></tr> <tr><td>ncl:engName</td><td>Dates</td></tr> </table>	name	_f	minOccurs	0	ncl:chiName	家族年代	ncl:engName	Dates																																																							
name	_f																																																															
minOccurs	0																																																															
ncl:chiName	家族年代																																																															
ncl:engName	Dates																																																															
xs:element	<table border="1"> <tr><td>name</td><td>_3</td></tr> <tr><td>minOccurs</td><td>0</td></tr> <tr><td>ncl:chiName</td><td>權威記錄號碼</td></tr> <tr><td>ncl:engName</td><td>Authority Record Number</td></tr> </table>	name	_3	minOccurs	0	ncl:chiName	權威記錄號碼	ncl:engName	Authority Record Number																																																							
name	_3																																																															
minOccurs	0																																																															
ncl:chiName	權威記錄號碼																																																															
ncl:engName	Authority Record Number																																																															
xs:element	<table border="1"> <tr><td>name</td><td>_4</td></tr> <tr><td>minOccurs</td><td>0</td></tr> <tr><td>maxOccurs</td><td>unbounded</td></tr> <tr><td>ncl:chiName</td><td>著作方式</td></tr> <tr><td>ncl:engName</td><td>Designation of Function</td></tr> </table>	name	_4	minOccurs	0	maxOccurs	unbounded	ncl:chiName	著作方式	ncl:engName	Designation of Function																																																					
name	_4																																																															
minOccurs	0																																																															
maxOccurs	unbounded																																																															
ncl:chiName	著作方式																																																															
ncl:engName	Designation of Function																																																															
xs:attribute	<table border="1"> <tr><td>name</td><td>ind1</td></tr> <tr><td>use</td><td>required</td></tr> <tr><td>fixed</td><td></td></tr> </table>	name	ind1	use	required	fixed																																																										
name	ind1																																																															
use	required																																																															
fixed																																																																
xs:attribute	<table border="1"> <tr><td>name</td><td>ind2</td></tr> <tr><td>use</td><td>required</td></tr> <tr><td>fixed</td><td></td></tr> </table>	name	ind2	use	required	fixed																																																										
name	ind2																																																															
use	required																																																															
fixed																																																																
Comment	8XX 「國際使用段」欄位內容宣告																																																															
xs:complexType	<table border="1"> <tr><td>name</td><td>tag801Type</td></tr> <tr><td>id</td><td>801Type</td></tr> <tr><td>xs:sequence</td><td> <table border="1"> <tr><td>xs:element</td><td> <table border="1"> <tr><td>name</td><td>_a</td></tr> <tr><td>minOccurs</td><td>0</td></tr> <tr><td>ncl:chiName</td><td>國家代碼</td></tr> <tr><td>ncl:engName</td><td>Country</td></tr> </table> </td></tr> <tr><td>xs:element</td><td> <table border="1"> <tr><td>name</td><td>_b</td></tr> <tr><td>minOccurs</td><td>0</td></tr> <tr><td>ncl:chiName</td><td>單位簡稱/代碼</td></tr> <tr><td>ncl:engName</td><td>Agency</td></tr> </table> </td></tr> <tr><td>xs:element</td><td> <table border="1"> <tr><td>name</td><td>_c</td></tr> <tr><td>minOccurs</td><td>0</td></tr> <tr><td>ncl:chiName</td><td>處理日期</td></tr> </table> </td></tr> </table> </td></tr> </table>		name	tag801Type	id	801Type	xs:sequence	<table border="1"> <tr><td>xs:element</td><td> <table border="1"> <tr><td>name</td><td>_a</td></tr> <tr><td>minOccurs</td><td>0</td></tr> <tr><td>ncl:chiName</td><td>國家代碼</td></tr> <tr><td>ncl:engName</td><td>Country</td></tr> </table> </td></tr> <tr><td>xs:element</td><td> <table border="1"> <tr><td>name</td><td>_b</td></tr> <tr><td>minOccurs</td><td>0</td></tr> <tr><td>ncl:chiName</td><td>單位簡稱/代碼</td></tr> <tr><td>ncl:engName</td><td>Agency</td></tr> </table> </td></tr> <tr><td>xs:element</td><td> <table border="1"> <tr><td>name</td><td>_c</td></tr> <tr><td>minOccurs</td><td>0</td></tr> <tr><td>ncl:chiName</td><td>處理日期</td></tr> </table> </td></tr> </table>	xs:element	<table border="1"> <tr><td>name</td><td>_a</td></tr> <tr><td>minOccurs</td><td>0</td></tr> <tr><td>ncl:chiName</td><td>國家代碼</td></tr> <tr><td>ncl:engName</td><td>Country</td></tr> </table>	name	_a	minOccurs	0	ncl:chiName	國家代碼	ncl:engName	Country	xs:element	<table border="1"> <tr><td>name</td><td>_b</td></tr> <tr><td>minOccurs</td><td>0</td></tr> <tr><td>ncl:chiName</td><td>單位簡稱/代碼</td></tr> <tr><td>ncl:engName</td><td>Agency</td></tr> </table>	name	_b	minOccurs	0	ncl:chiName	單位簡稱/代碼	ncl:engName	Agency	xs:element	<table border="1"> <tr><td>name</td><td>_c</td></tr> <tr><td>minOccurs</td><td>0</td></tr> <tr><td>ncl:chiName</td><td>處理日期</td></tr> </table>	name	_c	minOccurs	0	ncl:chiName	處理日期																												
name	tag801Type																																																															
id	801Type																																																															
xs:sequence	<table border="1"> <tr><td>xs:element</td><td> <table border="1"> <tr><td>name</td><td>_a</td></tr> <tr><td>minOccurs</td><td>0</td></tr> <tr><td>ncl:chiName</td><td>國家代碼</td></tr> <tr><td>ncl:engName</td><td>Country</td></tr> </table> </td></tr> <tr><td>xs:element</td><td> <table border="1"> <tr><td>name</td><td>_b</td></tr> <tr><td>minOccurs</td><td>0</td></tr> <tr><td>ncl:chiName</td><td>單位簡稱/代碼</td></tr> <tr><td>ncl:engName</td><td>Agency</td></tr> </table> </td></tr> <tr><td>xs:element</td><td> <table border="1"> <tr><td>name</td><td>_c</td></tr> <tr><td>minOccurs</td><td>0</td></tr> <tr><td>ncl:chiName</td><td>處理日期</td></tr> </table> </td></tr> </table>	xs:element	<table border="1"> <tr><td>name</td><td>_a</td></tr> <tr><td>minOccurs</td><td>0</td></tr> <tr><td>ncl:chiName</td><td>國家代碼</td></tr> <tr><td>ncl:engName</td><td>Country</td></tr> </table>	name	_a	minOccurs	0	ncl:chiName	國家代碼	ncl:engName	Country	xs:element	<table border="1"> <tr><td>name</td><td>_b</td></tr> <tr><td>minOccurs</td><td>0</td></tr> <tr><td>ncl:chiName</td><td>單位簡稱/代碼</td></tr> <tr><td>ncl:engName</td><td>Agency</td></tr> </table>	name	_b	minOccurs	0	ncl:chiName	單位簡稱/代碼	ncl:engName	Agency	xs:element	<table border="1"> <tr><td>name</td><td>_c</td></tr> <tr><td>minOccurs</td><td>0</td></tr> <tr><td>ncl:chiName</td><td>處理日期</td></tr> </table>	name	_c	minOccurs	0	ncl:chiName	處理日期																																			
xs:element	<table border="1"> <tr><td>name</td><td>_a</td></tr> <tr><td>minOccurs</td><td>0</td></tr> <tr><td>ncl:chiName</td><td>國家代碼</td></tr> <tr><td>ncl:engName</td><td>Country</td></tr> </table>	name	_a	minOccurs	0	ncl:chiName	國家代碼	ncl:engName	Country																																																							
name	_a																																																															
minOccurs	0																																																															
ncl:chiName	國家代碼																																																															
ncl:engName	Country																																																															
xs:element	<table border="1"> <tr><td>name</td><td>_b</td></tr> <tr><td>minOccurs</td><td>0</td></tr> <tr><td>ncl:chiName</td><td>單位簡稱/代碼</td></tr> <tr><td>ncl:engName</td><td>Agency</td></tr> </table>	name	_b	minOccurs	0	ncl:chiName	單位簡稱/代碼	ncl:engName	Agency																																																							
name	_b																																																															
minOccurs	0																																																															
ncl:chiName	單位簡稱/代碼																																																															
ncl:engName	Agency																																																															
xs:element	<table border="1"> <tr><td>name</td><td>_c</td></tr> <tr><td>minOccurs</td><td>0</td></tr> <tr><td>ncl:chiName</td><td>處理日期</td></tr> </table>	name	_c	minOccurs	0	ncl:chiName	處理日期																																																									
name	_c																																																															
minOccurs	0																																																															
ncl:chiName	處理日期																																																															

		= ncl:engName		Date of Transaction
xsd:element		= name		_g
		= minOccurs		0
		= maxOccurs		unbounded
		= ncl:chiName		編目規則代碼
		= ncl:engName		Cataloguing Rules (Descriptive Conventions)
xsd:attribute		= name		ind1
		= use		required
		= fixed		
xsd:attribute		= name		ind2
		= type		indicatorDataType
		= use		required
xsd:complexType				
= name		tag802Type		
= id		802Type		
xsd:sequence		xsd:element		
		= name		a
		= ncl:chiName		中心代碼
		= ncl:engName		ISDS Centre Code
xsd:attribute		= name		ind1
		= use		required
		= fixed		
xsd:attribute		= name		ind2
		= use		required
		= fixed		
xsd:complexType				
= name		tag805Type		
= id		805Type		
xsd:sequence		xsd:element		
		= name		a
		= minOccurs		0
		= ncl:chiName		單位簡稱/代碼
		= ncl:engName		Agency Code
		xsd:element		
		= name		b
		= minOccurs		0
		= maxOccurs		unbounded
		= ncl:chiName		次層單位簡稱/代碼
		= ncl:engName		Sublocation
		xsd:element		
		= name		c
		= minOccurs		0
		= maxOccurs		unbounded
		= ncl:chiName		登錄號
		= ncl:engName		Accession Number
		xsd:element		
		= name		_d
		= minOccurs		0
		= maxOccurs		unbounded
		= ncl:chiName		分類號
		= ncl:engName		Class Number
		xsd:element		
		= name		_c
		= minOccurs		0
		= maxOccurs		unbounded

	name	書號
	ncl:chiName	書號
	ncl:engName	Book Number
↑ xsd:element	name	f
	minOccurs	0
	maxOccurs	unbounded
	ncl:chiName	編目者、審核者等
	ncl:engName	Cataloger
↑ xsd:element	name	g
	minOccurs	0
	maxOccurs	unbounded
	ncl:chiName	卷期名稱
	ncl:engName	Name of Volume, Number
↑ xsd:element	name	m
	minOccurs	0
	maxOccurs	unbounded
	ncl:chiName	缺期
	ncl:engName	Lacking Volume
↑ xsd:element	name	n
	minOccurs	0
	maxOccurs	unbounded
	ncl:chiName	註記
	ncl:engName	Remark
↑ xsd:element	name	p
	minOccurs	0
	maxOccurs	unbounded
	ncl:chiName	特藏符號
	ncl:engName	Prefix
↑ xsd:element	name	t
	minOccurs	0
	maxOccurs	unbounded
	ncl:chiName	分類系統代碼
	ncl:engName	Code of Classification System
↑ xsd:element	name	v
	minOccurs	0
	maxOccurs	unbounded
	ncl:chiName	版本
	ncl:engName	Edition
↑ xsd:element	name	y
	minOccurs	0
	maxOccurs	unbounded
	ncl:chiName	日期(年、月)、冊次號、年代號
	ncl:engName	Date (year, month)
↑ xsd:element	name	_1
	minOccurs	0
	maxOccurs	unbounded
	ncl:chiName	卷期層次
	ncl:engName	Level of Volume Number
↑ xsd:element	name	_2
	minOccurs	0
	maxOccurs	unbounded

	<table border="1"> <tr> <td>≡ <i>nclchiName</i></td> <td>卷期層次</td> </tr> <tr> <td>≡ <i>nclengName</i></td> <td>Level of Volume Number</td> </tr> </table>	≡ <i>nclchiName</i>	卷期層次	≡ <i>nclengName</i>	Level of Volume Number																																																								
≡ <i>nclchiName</i>	卷期層次																																																												
≡ <i>nclengName</i>	Level of Volume Number																																																												
<table border="1"> <tr> <td>↗ <i>xsd:element</i></td> <td> <table border="1"> <tr> <td>≡ <i>name</i></td> <td>_3</td> </tr> <tr> <td>≡ <i>minOccurs</i></td> <td>0</td> </tr> <tr> <td>≡ <i>maxOccurs</i></td> <td>unbounded</td> </tr> <tr> <td>≡ <i>nclchiName</i></td> <td>卷期層次</td> </tr> <tr> <td>≡ <i>nclengName</i></td> <td>Level of Volume Number</td> </tr> </table> </td> </tr> <tr> <td>↗ <i>xsd:element</i></td> <td> <table border="1"> <tr> <td>≡ <i>name</i></td> <td>_4</td> </tr> <tr> <td>≡ <i>minOccurs</i></td> <td>0</td> </tr> <tr> <td>≡ <i>maxOccurs</i></td> <td>unbounded</td> </tr> <tr> <td>≡ <i>nclchiName</i></td> <td>卷期層次</td> </tr> <tr> <td>≡ <i>nclengName</i></td> <td>Level of Volume Number</td> </tr> </table> </td> </tr> <tr> <td>↗ <i>xsd:element</i></td> <td> <table border="1"> <tr> <td>≡ <i>name</i></td> <td>_5</td> </tr> <tr> <td>≡ <i>minOccurs</i></td> <td>0</td> </tr> <tr> <td>≡ <i>maxOccurs</i></td> <td>unbounded</td> </tr> <tr> <td>≡ <i>nclchiName</i></td> <td>卷期層次</td> </tr> <tr> <td>≡ <i>nclengName</i></td> <td>Level of Volume Number</td> </tr> </table> </td> </tr> <tr> <td>↗ <i>xsd:element</i></td> <td> <table border="1"> <tr> <td>≡ <i>name</i></td> <td>_6</td> </tr> <tr> <td>≡ <i>minOccurs</i></td> <td>0</td> </tr> <tr> <td>≡ <i>maxOccurs</i></td> <td>unbounded</td> </tr> <tr> <td>≡ <i>nclchiName</i></td> <td>卷期層次</td> </tr> <tr> <td>≡ <i>nclengName</i></td> <td>Level of Volume Number</td> </tr> </table> </td> </tr> <tr> <td>↗ <i>xsd:element</i></td> <td> <table border="1"> <tr> <td>≡ <i>name</i></td> <td>_7</td> </tr> <tr> <td>≡ <i>minOccurs</i></td> <td>0</td> </tr> <tr> <td>≡ <i>maxOccurs</i></td> <td>unbounded</td> </tr> <tr> <td>≡ <i>nclchiName</i></td> <td>卷期層次</td> </tr> <tr> <td>≡ <i>nclengName</i></td> <td>Level of Volume Number</td> </tr> </table> </td> </tr> </table>	↗ <i>xsd:element</i>	<table border="1"> <tr> <td>≡ <i>name</i></td> <td>_3</td> </tr> <tr> <td>≡ <i>minOccurs</i></td> <td>0</td> </tr> <tr> <td>≡ <i>maxOccurs</i></td> <td>unbounded</td> </tr> <tr> <td>≡ <i>nclchiName</i></td> <td>卷期層次</td> </tr> <tr> <td>≡ <i>nclengName</i></td> <td>Level of Volume Number</td> </tr> </table>	≡ <i>name</i>	_3	≡ <i>minOccurs</i>	0	≡ <i>maxOccurs</i>	unbounded	≡ <i>nclchiName</i>	卷期層次	≡ <i>nclengName</i>	Level of Volume Number	↗ <i>xsd:element</i>	<table border="1"> <tr> <td>≡ <i>name</i></td> <td>_4</td> </tr> <tr> <td>≡ <i>minOccurs</i></td> <td>0</td> </tr> <tr> <td>≡ <i>maxOccurs</i></td> <td>unbounded</td> </tr> <tr> <td>≡ <i>nclchiName</i></td> <td>卷期層次</td> </tr> <tr> <td>≡ <i>nclengName</i></td> <td>Level of Volume Number</td> </tr> </table>	≡ <i>name</i>	_4	≡ <i>minOccurs</i>	0	≡ <i>maxOccurs</i>	unbounded	≡ <i>nclchiName</i>	卷期層次	≡ <i>nclengName</i>	Level of Volume Number	↗ <i>xsd:element</i>	<table border="1"> <tr> <td>≡ <i>name</i></td> <td>_5</td> </tr> <tr> <td>≡ <i>minOccurs</i></td> <td>0</td> </tr> <tr> <td>≡ <i>maxOccurs</i></td> <td>unbounded</td> </tr> <tr> <td>≡ <i>nclchiName</i></td> <td>卷期層次</td> </tr> <tr> <td>≡ <i>nclengName</i></td> <td>Level of Volume Number</td> </tr> </table>	≡ <i>name</i>	_5	≡ <i>minOccurs</i>	0	≡ <i>maxOccurs</i>	unbounded	≡ <i>nclchiName</i>	卷期層次	≡ <i>nclengName</i>	Level of Volume Number	↗ <i>xsd:element</i>	<table border="1"> <tr> <td>≡ <i>name</i></td> <td>_6</td> </tr> <tr> <td>≡ <i>minOccurs</i></td> <td>0</td> </tr> <tr> <td>≡ <i>maxOccurs</i></td> <td>unbounded</td> </tr> <tr> <td>≡ <i>nclchiName</i></td> <td>卷期層次</td> </tr> <tr> <td>≡ <i>nclengName</i></td> <td>Level of Volume Number</td> </tr> </table>	≡ <i>name</i>	_6	≡ <i>minOccurs</i>	0	≡ <i>maxOccurs</i>	unbounded	≡ <i>nclchiName</i>	卷期層次	≡ <i>nclengName</i>	Level of Volume Number	↗ <i>xsd:element</i>	<table border="1"> <tr> <td>≡ <i>name</i></td> <td>_7</td> </tr> <tr> <td>≡ <i>minOccurs</i></td> <td>0</td> </tr> <tr> <td>≡ <i>maxOccurs</i></td> <td>unbounded</td> </tr> <tr> <td>≡ <i>nclchiName</i></td> <td>卷期層次</td> </tr> <tr> <td>≡ <i>nclengName</i></td> <td>Level of Volume Number</td> </tr> </table>	≡ <i>name</i>	_7	≡ <i>minOccurs</i>	0	≡ <i>maxOccurs</i>	unbounded	≡ <i>nclchiName</i>	卷期層次	≡ <i>nclengName</i>	Level of Volume Number	
↗ <i>xsd:element</i>	<table border="1"> <tr> <td>≡ <i>name</i></td> <td>_3</td> </tr> <tr> <td>≡ <i>minOccurs</i></td> <td>0</td> </tr> <tr> <td>≡ <i>maxOccurs</i></td> <td>unbounded</td> </tr> <tr> <td>≡ <i>nclchiName</i></td> <td>卷期層次</td> </tr> <tr> <td>≡ <i>nclengName</i></td> <td>Level of Volume Number</td> </tr> </table>	≡ <i>name</i>	_3	≡ <i>minOccurs</i>	0	≡ <i>maxOccurs</i>	unbounded	≡ <i>nclchiName</i>	卷期層次	≡ <i>nclengName</i>	Level of Volume Number																																																		
≡ <i>name</i>	_3																																																												
≡ <i>minOccurs</i>	0																																																												
≡ <i>maxOccurs</i>	unbounded																																																												
≡ <i>nclchiName</i>	卷期層次																																																												
≡ <i>nclengName</i>	Level of Volume Number																																																												
↗ <i>xsd:element</i>	<table border="1"> <tr> <td>≡ <i>name</i></td> <td>_4</td> </tr> <tr> <td>≡ <i>minOccurs</i></td> <td>0</td> </tr> <tr> <td>≡ <i>maxOccurs</i></td> <td>unbounded</td> </tr> <tr> <td>≡ <i>nclchiName</i></td> <td>卷期層次</td> </tr> <tr> <td>≡ <i>nclengName</i></td> <td>Level of Volume Number</td> </tr> </table>	≡ <i>name</i>	_4	≡ <i>minOccurs</i>	0	≡ <i>maxOccurs</i>	unbounded	≡ <i>nclchiName</i>	卷期層次	≡ <i>nclengName</i>	Level of Volume Number																																																		
≡ <i>name</i>	_4																																																												
≡ <i>minOccurs</i>	0																																																												
≡ <i>maxOccurs</i>	unbounded																																																												
≡ <i>nclchiName</i>	卷期層次																																																												
≡ <i>nclengName</i>	Level of Volume Number																																																												
↗ <i>xsd:element</i>	<table border="1"> <tr> <td>≡ <i>name</i></td> <td>_5</td> </tr> <tr> <td>≡ <i>minOccurs</i></td> <td>0</td> </tr> <tr> <td>≡ <i>maxOccurs</i></td> <td>unbounded</td> </tr> <tr> <td>≡ <i>nclchiName</i></td> <td>卷期層次</td> </tr> <tr> <td>≡ <i>nclengName</i></td> <td>Level of Volume Number</td> </tr> </table>	≡ <i>name</i>	_5	≡ <i>minOccurs</i>	0	≡ <i>maxOccurs</i>	unbounded	≡ <i>nclchiName</i>	卷期層次	≡ <i>nclengName</i>	Level of Volume Number																																																		
≡ <i>name</i>	_5																																																												
≡ <i>minOccurs</i>	0																																																												
≡ <i>maxOccurs</i>	unbounded																																																												
≡ <i>nclchiName</i>	卷期層次																																																												
≡ <i>nclengName</i>	Level of Volume Number																																																												
↗ <i>xsd:element</i>	<table border="1"> <tr> <td>≡ <i>name</i></td> <td>_6</td> </tr> <tr> <td>≡ <i>minOccurs</i></td> <td>0</td> </tr> <tr> <td>≡ <i>maxOccurs</i></td> <td>unbounded</td> </tr> <tr> <td>≡ <i>nclchiName</i></td> <td>卷期層次</td> </tr> <tr> <td>≡ <i>nclengName</i></td> <td>Level of Volume Number</td> </tr> </table>	≡ <i>name</i>	_6	≡ <i>minOccurs</i>	0	≡ <i>maxOccurs</i>	unbounded	≡ <i>nclchiName</i>	卷期層次	≡ <i>nclengName</i>	Level of Volume Number																																																		
≡ <i>name</i>	_6																																																												
≡ <i>minOccurs</i>	0																																																												
≡ <i>maxOccurs</i>	unbounded																																																												
≡ <i>nclchiName</i>	卷期層次																																																												
≡ <i>nclengName</i>	Level of Volume Number																																																												
↗ <i>xsd:element</i>	<table border="1"> <tr> <td>≡ <i>name</i></td> <td>_7</td> </tr> <tr> <td>≡ <i>minOccurs</i></td> <td>0</td> </tr> <tr> <td>≡ <i>maxOccurs</i></td> <td>unbounded</td> </tr> <tr> <td>≡ <i>nclchiName</i></td> <td>卷期層次</td> </tr> <tr> <td>≡ <i>nclengName</i></td> <td>Level of Volume Number</td> </tr> </table>	≡ <i>name</i>	_7	≡ <i>minOccurs</i>	0	≡ <i>maxOccurs</i>	unbounded	≡ <i>nclchiName</i>	卷期層次	≡ <i>nclengName</i>	Level of Volume Number																																																		
≡ <i>name</i>	_7																																																												
≡ <i>minOccurs</i>	0																																																												
≡ <i>maxOccurs</i>	unbounded																																																												
≡ <i>nclchiName</i>	卷期層次																																																												
≡ <i>nclengName</i>	Level of Volume Number																																																												
↗ <i>xsd:attribute</i>	<table border="1"> <tr> <td>≡ <i>name</i></td> <td>ind1</td> </tr> <tr> <td>≡ <i>use</i></td> <td>required</td> </tr> <tr> <td>≡ <i>fixed</i></td> <td></td> </tr> </table>	≡ <i>name</i>	ind1	≡ <i>use</i>	required	≡ <i>fixed</i>																																																							
≡ <i>name</i>	ind1																																																												
≡ <i>use</i>	required																																																												
≡ <i>fixed</i>																																																													
↗ <i>xsd:attribute</i>	<table border="1"> <tr> <td>≡ <i>name</i></td> <td>ind2</td> </tr> <tr> <td>≡ <i>use</i></td> <td>required</td> </tr> <tr> <td>≡ <i>fixed</i></td> <td></td> </tr> </table>	≡ <i>name</i>	ind2	≡ <i>use</i>	required	≡ <i>fixed</i>																																																							
≡ <i>name</i>	ind2																																																												
≡ <i>use</i>	required																																																												
≡ <i>fixed</i>																																																													
↗ <i>Comment</i>	@@ 通用定義區 @@																																																												
↗ <i>Comment</i>	各Tag欄位非空格之指標定義																																																												
↗ <i>xsd:simpleType</i>	<table border="1"> <tr> <td>≡ <i>name</i></td> <td>indicatorDataType</td> </tr> <tr> <td>≡ <i>id</i></td> <td>ind.st</td> </tr> <tr> <td>↗ <i>xsd:restriction</i></td> <td> <table border="1"> <tr> <td>≡ <i>base</i></td> <td>xsd:string</td> </tr> <tr> <td>↗ <i>xsd:whiteSpace</i></td> <td> <table border="1"> <tr> <td>≡ <i>value</i></td> <td>preserve</td> </tr> </table> </td> </tr> <tr> <td>↗ <i>xsd:pattern</i></td> <td> <table border="1"> <tr> <td>≡ <i>value</i></td> <td>[\\d]{1}</td> </tr> </table> </td> </tr> </table> </td> </tr> </table>	≡ <i>name</i>	indicatorDataType	≡ <i>id</i>	ind.st	↗ <i>xsd:restriction</i>	<table border="1"> <tr> <td>≡ <i>base</i></td> <td>xsd:string</td> </tr> <tr> <td>↗ <i>xsd:whiteSpace</i></td> <td> <table border="1"> <tr> <td>≡ <i>value</i></td> <td>preserve</td> </tr> </table> </td> </tr> <tr> <td>↗ <i>xsd:pattern</i></td> <td> <table border="1"> <tr> <td>≡ <i>value</i></td> <td>[\\d]{1}</td> </tr> </table> </td> </tr> </table>	≡ <i>base</i>	xsd:string	↗ <i>xsd:whiteSpace</i>	<table border="1"> <tr> <td>≡ <i>value</i></td> <td>preserve</td> </tr> </table>	≡ <i>value</i>	preserve	↗ <i>xsd:pattern</i>	<table border="1"> <tr> <td>≡ <i>value</i></td> <td>[\\d]{1}</td> </tr> </table>	≡ <i>value</i>	[\\d]{1}																																												
≡ <i>name</i>	indicatorDataType																																																												
≡ <i>id</i>	ind.st																																																												
↗ <i>xsd:restriction</i>	<table border="1"> <tr> <td>≡ <i>base</i></td> <td>xsd:string</td> </tr> <tr> <td>↗ <i>xsd:whiteSpace</i></td> <td> <table border="1"> <tr> <td>≡ <i>value</i></td> <td>preserve</td> </tr> </table> </td> </tr> <tr> <td>↗ <i>xsd:pattern</i></td> <td> <table border="1"> <tr> <td>≡ <i>value</i></td> <td>[\\d]{1}</td> </tr> </table> </td> </tr> </table>	≡ <i>base</i>	xsd:string	↗ <i>xsd:whiteSpace</i>	<table border="1"> <tr> <td>≡ <i>value</i></td> <td>preserve</td> </tr> </table>	≡ <i>value</i>	preserve	↗ <i>xsd:pattern</i>	<table border="1"> <tr> <td>≡ <i>value</i></td> <td>[\\d]{1}</td> </tr> </table>	≡ <i>value</i>	[\\d]{1}																																																		
≡ <i>base</i>	xsd:string																																																												
↗ <i>xsd:whiteSpace</i>	<table border="1"> <tr> <td>≡ <i>value</i></td> <td>preserve</td> </tr> </table>	≡ <i>value</i>	preserve																																																										
≡ <i>value</i>	preserve																																																												
↗ <i>xsd:pattern</i>	<table border="1"> <tr> <td>≡ <i>value</i></td> <td>[\\d]{1}</td> </tr> </table>	≡ <i>value</i>	[\\d]{1}																																																										
≡ <i>value</i>	[\\d]{1}																																																												
↗ <i>Comment</i>	collection, record 元素使用																																																												
↗ <i>xsd:simpleType</i>	<table border="1"> <tr> <td>≡ <i>name</i></td> <td>idDataType</td> </tr> <tr> <td>≡ <i>id</i></td> <td>id.st</td> </tr> <tr> <td>↗ <i>xsd:restriction</i></td> <td></td> </tr> </table>	≡ <i>name</i>	idDataType	≡ <i>id</i>	id.st	↗ <i>xsd:restriction</i>																																																							
≡ <i>name</i>	idDataType																																																												
≡ <i>id</i>	id.st																																																												
↗ <i>xsd:restriction</i>																																																													

			= base	xsd:ID
---	---	---	--------	--------

四、XML Schema 文本


```

1 <?xml version="1.0" encoding="UTF-8"?>
2 <!-- edited with XMLSPY v2004 rel. 3 U (http://www.xmlspy.com) by Seljuk (SHU) -->
3 <xsd:schema elementFormDefault="qualified" attributeFormDefault="unqualified" version="1.0" xml:lang="zh" xmlns:xsd="
http://www.w3.org/2001/XMLSchema" xmlns:nc1="http://www.nc1.edu.tw/ChineseMARC3/2004/7/1">
4   <xsd:annotation>
5     <xsd:documentation>
6       Chinese MARC Schema Definition
7       Prepared by Shien-chiang Yu
8       July 1, 2004 - Version 1.0 - Coding first (Initial Release)
9       方式一：詳細定義。包括各欄號(Tag)包含之指標與分欄均逐一定義
10      方式二：完全參照MARC21之Schema定義，透過屬性id紀錄欄號、分欄之編號
11
12      命名規則：字首不可為數字，因此
13        1. 欄位前標記「Tag」以示區隔
14        2. 分欄前標記「_」以示區隔
15
16     </xsd:documentation>
17   </xsd:annotation>
18   <!--
19     Collection：<<根元素>>包含所有書目紀錄
20   -->
21   <xsd:element name="collection" type="collectionType" nillable="true" id="collection"/>
22   <xsd:complexType name="collectionType" id="collection">
23     <xsd:sequence maxOccurs="unbounded">
24       <xsd:element name="record" type="recordType" nillable="true" id="record"/>
25     </xsd:sequence>
26     <xsd:attribute name="id" type="idDataType" use="optional"/>
27   </xsd:complexType>
28   <!--
29     Record：包含單一書目紀錄之所有欄位內容，其下包含1. leader, 2. controlfield, 3. datafield 三部份
30   -->
31   <xsd:complexType name="recordType" id="record">
32     <xsd:sequence minOccurs="0">
33       <xsd:element name="leader" type="leaderFieldType"/>
34       <xsd:element name="controlfield" type="controlFieldType"/>
35       <xsd:element name="datafield" type="dataFieldType"/>
36     </xsd:sequence>
37     <xsd:attribute name="id" type="idDataType" use="optional"/>
38   </xsd:complexType>
39   <xsd:simpleType name="leaderFieldType" ncl:chiName="記錄標示" ncl:engName="Record Label">
40     <xsd:restriction base="xsd:string">
41       <xsd:length value="24"/>
42       <xsd:whiteSpace value="preserve"/>
43       <xsd:pattern value="[vd]{5}(cldlnlpl)[a-npru]{1}(alclmls)[0-2]{1}(01)(2)(2)[vd]{5}((11213)(lnl)( )450)(01)"/>
44     </xsd:restriction>
45   </xsd:simpleType>
46   <!--
47     controlFieldType 特徵：不包含Indicator，tag001、005不具備分欄；tag009具備一分欄
48
49     命名規則：字首不可為數字，因此欄號前標記「tag」以示區隔
50   -->
51   <xsd:complexType name="controlFieldType" id="controlFieldType">
52     <xsd:sequence>
53       <xsd:element name="tag001" ncl:chiName="記錄識別欄" ncl:engName="Record Identifier"/>
54       <xsd:element name="tag005" type="xsd:dateTime" ncl:chiName="最後更新時間" ncl:engName="Version Identifier"/>
55       <xsd:element name="tag009" type="tag009Type" minOccurs="0" maxOccurs="unbounded" ncl:chiName="各館系統控制號" ncl:engName="
Other System Control Numbers"/>
56     </xsd:sequence>
57   </xsd:complexType>
58   <xsd:complexType name="tag009Type" id="009Type">
59     <xsd:sequence>
60       <xsd:element name="_a" type="xsd:string" minOccurs="0" ncl:chiName="各館系統控制號" ncl:engName="Other Systems Control Number"/>
61     </xsd:sequence>
62   </xsd:complexType>
63   <!--
64     dataFieldType (010~999)特徵：包含兩位元Indicator，具備分欄
65   -->
66   <xsd:complexType name="dataFieldType" id="dataFieldType">
67     <xsd:sequence>
68       <xsd:element name="tag010" type="tag010Type" minOccurs="0" maxOccurs="unbounded" ncl:chiName="國際標準書號" ncl:engName="
International Standard Book Number (ISBN)"/>
69       <xsd:element name="tag011" type="tag011Type" minOccurs="0" maxOccurs="unbounded" ncl:chiName="國際標準叢刊號" ncl:engName="
International Standard Serial Number (ISSN)"/>
70       <xsd:element name="tag020" type="tag020Type" minOccurs="0" maxOccurs="unbounded" ncl:chiName="國家書目號" ncl:engName="National
Bibliography Number"/>
71       <xsd:element name="tag021" type="tag021Type" minOccurs="0" maxOccurs="unbounded" ncl:chiName="送繳編號" ncl:engName="Legal
Deposit Number"/>

```

72 <xsd:element name="tag022" type="tag020Type" minOccurs="0" maxOccurs="unbounded" ncl:chiName="官書編號" ncl:engName="Government
Publication Number"/>

73 <xsd:element name="tag025" type="tag025Type" minOccurs="0" maxOccurs="unbounded" ncl:chiName="銷售號/庫存號" ncl:engName="Sales
Number/Stock Number"/>

74 <xsd:element name="tag040" type="tag040Type" minOccurs="0" maxOccurs="unbounded" ncl:chiName="叢刊代碼" ncl:engName="CODEN
(Serials)"/>

75 <xsd:element name="tag042" type="tag042Type" minOccurs="0" maxOccurs="unbounded" ncl:chiName="審查機構代碼" ncl:engName="Authentication
Agency Code"/>

76 <xsd:element name="tag050" type="tag050Type" ncl:chiName="國立中央圖書館卡片號" ncl:engName="National Central Library Card Number"/>

77 <xsd:element name="tag071" type="tag071Type" minOccurs="0" maxOccurs="unbounded" ncl:chiName="出版者資料編號(適用於錄音資料與樂譜)" ncl:engName="Publisher's Number (Sound Recordings and Music)"/>

78 <xsd:element name="tag100" type="tag100Type" minOccurs="0" ncl:chiName="一般性資料" ncl:engName="General Processing Data"/>

79 <xsd:element name="tag101" type="tag101Type" ncl:chiName="作品語文" ncl:engName="Language of the Item"/>

80 <xsd:element name="tag102" type="tag102Type" minOccurs="0" ncl:chiName="出版國別" ncl:engName="Country of Publication or Production"/>

81 <xsd:element name="tag105" type="tag105Type" minOccurs="0" ncl:chiName="資料代碼欄:圖書、善本書" ncl:engName="Coded Data
Field: Textual Material, Monographic, Chinese Rare Book"/>

82 <xsd:element name="tag106" type="tag106Type" minOccurs="0" ncl:chiName="資料代碼欄:文字資料形式特性" ncl:engName="Coded Data
Field: Textual Materials - Physical Attributes"/>

83 <xsd:element name="tag110" type="tag110Type" minOccurs="0" ncl:chiName="資料代碼欄:連續性出版品" ncl:engName="Coded Data
Field: Serials"/>

84 <xsd:element name="tag115" type="tag115Type" minOccurs="0" maxOccurs="unbounded" ncl:chiName="資料代碼欄:投影資料、錄影資料、影片" ncl:engName="Coded Data Fields: Visual Projections, Videorecordings and Motion Pictures"/>

85 <xsd:element name="tag116" type="tag116Type" minOccurs="0" maxOccurs="unbounded" ncl:chiName="資料代碼欄:圖片" ncl:engName="Coded Data
Field: Graphics"/>

86 <xsd:element name="tag120" type="tag120Type" ncl:chiName="資料代碼欄:地圖資料—一般性" ncl:engName="Coded Data
Field: Cartographic Materials - General"/>

87 <xsd:element name="tag121" type="tag121Type" minOccurs="0" ncl:chiName="資料代碼欄:地圖資料形式特性" ncl:engName="Coded Data
Field: Cartographic Materials: Physical Attributes"/>

88 <xsd:element name="tag122" type="tag122Type" minOccurs="0" maxOccurs="unbounded" ncl:chiName="資料代碼欄:作品涵蓋時間" ncl:engName="Coded Data Field: Time Period of Item Content"/>

89 <xsd:element name="tag123" type="tag123Type" maxOccurs="unbounded" ncl:chiName="資料代碼欄:地圖資料—比例尺與座標" ncl:engName="Coded Data Field: Cartographic Materials - Scale and Co-ordinates"/>

90 <xsd:element name="tag124" type="tag124Type" minOccurs="0" maxOccurs="unbounded" ncl:chiName="資料代碼欄:地圖資料—特殊資料類型" ncl:engName="Coded Data Field: Cartographic Materials - Specific Material Designation Analysis"/>

91 <xsd:element name="tag125" type="tag125Type" minOccurs="0" ncl:chiName="資料代碼欄:樂譜資料與非音樂性錄音資料" ncl:engName="Coded Data
Field: Sound Recordings and Printed Music"/>

92 <xsd:element name="tag126" type="tag126Type" minOccurs="0" ncl:chiName="資料代碼欄:錄音資料形式特性" ncl:engName="Coded Data
Field: Sound Recordings - Physical Attributes"/>

93 <xsd:element name="tag127" type="tag127Type" minOccurs="0" ncl:chiName="資料代碼欄:錄音資料播放或樂譜演奏之時間" ncl:engName="Coded Data Field: Duration of Sound Recordings and Printed Music"/>

94 <xsd:element name="tag128" type="tag128Type" minOccurs="0" maxOccurs="unbounded" ncl:chiName="資料代碼欄:音樂演奏作品" ncl:engName="Coded Data Field: Music Performances and Scores"/>

95 <xsd:element name="tag129" type="tag129Type" minOccurs="0" ncl:chiName="資料代碼欄:拓片" ncl:engName="Coded Data Field: Rubbings"/>

96 <xsd:element name="tag130" type="tag130Type" minOccurs="0" maxOccurs="unbounded" ncl:chiName="資料代碼欄:縮影資料形式特性" ncl:engName="Coded Data Field: Microforms - Physical Attributes"/>

97 <xsd:element name="tag131" type="tag131Type" minOccurs="0" ncl:chiName="資料代碼欄:地圖資料—大地、網格、垂直測量" ncl:engName="Coded Data Field: Cartographic Materials - Geodetic, Grid and Vertical Measurement"/>

98 <xsd:element name="tag135" type="tag135Type" minOccurs="0" maxOccurs="unbounded" ncl:chiName="資料代碼欄:電腦檔" ncl:engName="Coded Data Field: Electronic Resources"/>

99 <xsd:element name="tag200" type="tag200Type" ncl:chiName="題名及著者敘述項" ncl:engName="Title and Statement of Responsibility"/>

100 <xsd:element name="tag204" type="tag204Type" minOccurs="0" maxOccurs="unbounded" ncl:chiName="資料類型標示" ncl:engName="General Material Designation"/>

101 <xsd:element name="tag205" type="tag205Type" minOccurs="0" maxOccurs="unbounded" ncl:chiName="版本項" ncl:engName="Edition Statement"/>

102 <xsd:element name="tag206" type="tag206Type" minOccurs="0" maxOccurs="unbounded" ncl:chiName="資料特殊細節項:地圖資料—製圖細節" ncl:engName="Material Specific Area: Cartographic Materials - Mathematical Data"/>

103 <xsd:element name="tag207" type="tag207Type" minOccurs="0" ncl:chiName="資料特殊細節項:連續性出版品—卷期編次" ncl:engName="Material Specific Area: Serials Numbering"/>

104 <xsd:element name="tag208" type="tag208Type" minOccurs="0" ncl:chiName="資料特殊細節項:樂譜形式" ncl:engName="Material Specific Area: Printed Music Specific Statement"/>

105 <xsd:element name="tag209" type="tag209Type" minOccurs="0" ncl:chiName="資料特殊細節項:電腦檔" ncl:engName="Material Specific Area: Electronic Resource"/>

106 <xsd:element name="tag210" type="tag210Type" minOccurs="0" ncl:chiName="出版項" ncl:engName="Publication, Distribution, etc."/>

107 <xsd:element name="tag211" type="tag211Type" minOccurs="0" ncl:chiName="預定出版日期" ncl:engName="Projected Publication Date"/>

108 <xsd:element name="tag215" type="tag215Type" minOccurs="0" maxOccurs="unbounded" ncl:chiName="稽核項" ncl:engName="Physical Description"/>

109 <xsd:element name="tag225" type="tag225Type" minOccurs="0" maxOccurs="unbounded" ncl:chiName="集錄項" ncl:engName="Series"/>

110 <xsd:element name="tag300" type="tag300Type" minOccurs="0" maxOccurs="unbounded" ncl:chiName="一般註" ncl:engName="General Notes"/>

111 <xsd:element name="tag301" type="tag301Type" minOccurs="0" maxOccurs="unbounded" ncl:chiName="識別號碼註" ncl:engName="Notes Pertaining to Identification Numbers"/>

112 <xsd:element name="tag302" type="tag302Type" minOccurs="0" maxOccurs="unbounded" ncl:chiName="代碼資料註" ncl:engName="Notes Pertaining to Coded Information"/>

113 <xsd:element name="tag303" type="tag303Type" minOccurs="0" maxOccurs="unbounded" ncl:chiName="著錄依據註" ncl:engName="General Notes Pertaining to Descriptive Information"/>

114 <xsd:element name="tag304" type="tag304Type" minOccurs="0" maxOccurs="unbounded" ncl:chiName="題名及著者敘述項註" ncl:engName="Title and Statement of Responsibility Note"/>

Notes Pertaining to Title and Statement of Responsibility"/>
115 <xsd:element name="tag305" type="tag300Type" minOccurs="0" maxOccurs="unbounded" ncl:chiName="版本項及書目歷史註" ncl:engName="Notes Pertaining to Edition and Bibliographic History"/>
116 <xsd:element name="tag306" type="tag300Type" minOccurs="0" maxOccurs="unbounded" ncl:chiName="出版項註" ncl:engName="Notes Pertaining to Publication, Distribution, etc."/>
117 <xsd:element name="tag307" type="tag300Type" minOccurs="0" maxOccurs="unbounded" ncl:chiName="稽核項註" ncl:engName="Notes Pertaining to Physical Description"/>
118 <xsd:element name="tag308" type="tag300Type" minOccurs="0" maxOccurs="unbounded" ncl:chiName="集叢項註" ncl:engName="Notes Pertaining to Series"/>
119 <xsd:element name="tag310" type="tag300Type" minOccurs="0" maxOccurs="unbounded" ncl:chiName="裝訂及發行性質註" ncl:engName="Notes Pertaining to Binding and Availability"/>
120 <xsd:element name="tag311" type="tag300Type" minOccurs="0" maxOccurs="unbounded" ncl:chiName="連接欄註" ncl:engName="Notes Pertaining to Linking Fields"/>
121 <xsd:element name="tag312" type="tag300Type" minOccurs="0" maxOccurs="unbounded" ncl:chiName="相關題名註" ncl:engName="Notes Pertaining to Related Titles"/>
122 <xsd:element name="tag314" type="tag300Type" minOccurs="0" maxOccurs="unbounded" ncl:chiName="著者註" ncl:engName="Notes Pertaining to Intellectual Responsibility"/>
123 <xsd:element name="tag315" type="tag300Type" minOccurs="0" maxOccurs="unbounded" ncl:chiName="特殊細節註" ncl:engName="Notes Pertaining to Material (or Type of Publication) Specific Information"/>
124 <xsd:element name="tag316" type="tag300Type" minOccurs="0" maxOccurs="unbounded" ncl:chiName="卷數註" ncl:engName="Notes Pertaining to Number of Chuan"/>
125 <xsd:element name="tag320" type="tag300Type" minOccurs="0" maxOccurs="unbounded" ncl:chiName="書目、索引、附錄等註" ncl:engName="Internal Bibliographies/Indexess Note"/>
126 <xsd:element name="tag321" type="tag321Type" minOccurs="0" maxOccurs="unbounded" ncl:chiName="被索引、摘要及引用註" ncl:engName="External Indexes/Abstracts/References Note"/>
127 <xsd:element name="tag322" type="tag300Type" minOccurs="0" ncl:chiName="演出者註 (適用於放映、錄影、錄音資料)" ncl:engName="Cast Note (Projected and Video Material and Sound Recordings)"/>
128 <xsd:element name="tag323" type="tag300Type" minOccurs="0" maxOccurs="unbounded" ncl:chiName="演出者註 (適用於放映、錄影、錄音資料)" ncl:engName="Cast Note (Projected and Video Material and Sound Recordings)"/>
129 <xsd:element name="tag324" type="tag300Type" minOccurs="0" ncl:chiName="影鈔註" ncl:engName="Facsimile Note"/>
130 <xsd:element name="tag326" type="tag326Type" minOccurs="0" maxOccurs="unbounded" ncl:chiName="刊期註" ncl:engName="Frequency Statement Note (Serials)"/>
131 <xsd:element name="tag327" type="tag327Type" minOccurs="0" ncl:chiName="內容註" ncl:engName="Contents Note"/>
132 <xsd:element name="tag328" type="tag300Type" minOccurs="0" maxOccurs="unbounded" ncl:chiName="學位論文註" ncl:engName="Dissertation (Thesis) Note"/>
133 <xsd:element name="tag330" type="tag300Type" minOccurs="0" maxOccurs="unbounded" ncl:chiName="提要註" ncl:engName="Summary or Abstract"/>
134 <xsd:element name="tag333" type="tag300Type" minOccurs="0" maxOccurs="unbounded" ncl:chiName="使用者/適用對象註" ncl:engName="Users/Intended Audience Note"/>
135 <xsd:element name="tag336" type="tag300Type" minOccurs="0" maxOccurs="unbounded" ncl:chiName="電腦檔資料型式註" ncl:engName="Type of Electronic Resource Note"/>
136 <xsd:element name="tag337" type="tag300Type" minOccurs="0" maxOccurs="unbounded" ncl:chiName="技術細節註 (電腦檔)" ncl:engName="Technical Details Note (Electronic Resource)"/>
137 <xsd:element name="tag339" type="tag300Type" minOccurs="0" maxOccurs="unbounded" ncl:chiName="館藏註" ncl:engName="Holdings Note"/>
138 <xsd:element name="tag345" type="tag345Type" minOccurs="0" ncl:chiName="採訪資料註" ncl:engName="Acquisition Information Note"/>
139 <xsd:element name="tag410" type="tag400Type" minOccurs="0" maxOccurs="unbounded" ncl:chiName="集叢" ncl:engName="Series"/>
140 <xsd:element name="tag411" type="tag400Type" minOccurs="0" maxOccurs="unbounded" ncl:chiName="附屬集叢" ncl:engName="Subseries"/>
141 <xsd:element name="tag421" type="tag400Type" minOccurs="0" maxOccurs="unbounded" ncl:chiName="補篇" ncl:engName="Supplement"/>
142 <xsd:element name="tag422" type="tag400Type" minOccurs="0" maxOccurs="unbounded" ncl:chiName="本篇" ncl:engName="Parent of Supplement"/>
143 <xsd:element name="tag423" type="tag400Type" minOccurs="0" maxOccurs="unbounded" ncl:chiName="合刊、合訂" ncl:engName="Issued with"/>
144 <xsd:element name="tag430" type="tag400Type" minOccurs="0" maxOccurs="unbounded" ncl:chiName="繼續" ncl:engName="Continues"/>
145 <xsd:element name="tag431" type="tag400Type" minOccurs="0" maxOccurs="unbounded" ncl:chiName="衍自" ncl:engName="Continues in Part"/>
146 <xsd:element name="tag434" type="tag400Type" minOccurs="0" maxOccurs="unbounded" ncl:chiName="合併" ncl:engName="Absorbed"/>
147 <xsd:element name="tag435" type="tag400Type" minOccurs="0" maxOccurs="unbounded" ncl:chiName="部份合併" ncl:engName="Absorbed in Part"/>
148 <xsd:element name="tag436" type="tag400Type" minOccurs="0" maxOccurs="unbounded" ncl:chiName="由__及__合併而成" ncl:engName="Formed by Merger of ..., ..., and ..."/>
149 <xsd:element name="tag440" type="tag400Type" minOccurs="0" maxOccurs="unbounded" ncl:chiName="改名" ncl:engName="Continued by"/>
150 <xsd:element name="tag441" type="tag400Type" minOccurs="0" maxOccurs="unbounded" ncl:chiName="部份衍成" ncl:engName="Continued in Part by"/>
151 <xsd:element name="tag444" type="tag400Type" minOccurs="0" maxOccurs="unbounded" ncl:chiName="併入" ncl:engName="Absorbed by"/>
152 <xsd:element name="tag445" type="tag400Type" minOccurs="0" maxOccurs="unbounded" ncl:chiName="部份併入" ncl:engName="Absorbed in Part by"/>
153 <xsd:element name="tag446" type="tag400Type" minOccurs="0" maxOccurs="unbounded" ncl:chiName="衍成" ncl:engName="Split into..., ..., and ..."/>
154 <xsd:element name="tag447" type="tag400Type" minOccurs="0" maxOccurs="unbounded" ncl:chiName="與__及__合併成__" ncl:engName="Merged with ... and ... to Form ..."/>
155 <xsd:element name="tag448" type="tag400Type" minOccurs="0" maxOccurs="unbounded" ncl:chiName="恢復原題名" ncl:engName="Changed Back to"/>
156 <xsd:element name="tag451" type="tag400Type" minOccurs="0" maxOccurs="unbounded" ncl:chiName="同一媒體之其他版本" ncl:engName="Other Edition in The Same Medium"/>
157 <xsd:element name="tag452" type="tag400Type" minOccurs="0" maxOccurs="unbounded" ncl:chiName="不同一媒體之其他版本" ncl:engName="Other Edition in Another Medium"/>
158 <xsd:element name="tag453" type="tag400Type" minOccurs="0" maxOccurs="unbounded" ncl:chiName="譯作" ncl:engName="Translated as"/>
159 <xsd:element name="tag454" type="tag400Type" minOccurs="0" maxOccurs="unbounded" ncl:chiName="譯自" ncl:engName="Translation of"/>

```

160 <xsd:element name="tag461" type="tag400Type" minOccurs="0" maxOccurs="unbounded" ncl:chiName="總集" ncl:engName="Set"/>
161 <xsd:element name="tag462" type="tag400Type" minOccurs="0" maxOccurs="unbounded" ncl:chiName="分集" ncl:engName="Subset"/>
162 <xsd:element name="tag463" type="tag400Type" minOccurs="0" maxOccurs="unbounded" ncl:chiName="單冊" ncl:engName="Piece"/>
163 <xsd:element name="tag464" type="tag400Type" minOccurs="0" maxOccurs="unbounded" ncl:chiName="單冊分析" ncl:engName="
Piece - Analytic"/>
164 <xsd:element name="tag488" type="tag400Type" minOccurs="0" maxOccurs="unbounded" ncl:chiName="其他相關作品" ncl:engName="Other
Related Work"/>
165 <xsd:element name="tag500" type="tag500Type" minOccurs="0" maxOccurs="unbounded" ncl:chiName="劃一題名" ncl:engName="Uniform Title
"/>
166 <xsd:element name="tag501" type="tag501Type" minOccurs="0" maxOccurs="unbounded" ncl:chiName="總集劃一題名" ncl:engName="
Collective Uniform Title"/>
167 <xsd:element name="tag503" type="tag503Type" minOccurs="0" maxOccurs="unbounded" ncl:chiName="劃一習用標目" ncl:engName="
Uniform Conventional Heading"/>
168 <xsd:element name="tag510" type="tag510Type" minOccurs="0" maxOccurs="unbounded" ncl:chiName="並列題名" ncl:engName="Parallel Title
Proper"/>
169 <xsd:element name="tag512" type="tag512Type" minOccurs="0" maxOccurs="unbounded" ncl:chiName="封面題名" ncl:engName="Cover Title"/>
170 <xsd:element name="tag513" type="tag513Type" minOccurs="0" maxOccurs="unbounded" ncl:chiName="附加書名頁題名" ncl:engName="
Added Title-page Title"/>
171 <xsd:element name="tag514" type="tag514Type" minOccurs="0" maxOccurs="unbounded" ncl:chiName="卷端題名" ncl:engName="Caption Title"
/>
172 <xsd:element name="tag515" type="tag515Type" minOccurs="0" maxOccurs="unbounded" ncl:chiName="逐頁題名" ncl:engName="Running Title
"/>
173 <xsd:element name="tag516" type="tag516Type" minOccurs="0" maxOccurs="unbounded" ncl:chiName="書背題名" ncl:engName="Spine Title"/>
174 <xsd:element name="tag517" type="tag517Type" minOccurs="0" maxOccurs="unbounded" ncl:chiName="其他題名" ncl:engName="Other
Variant Titles"/>
175 <xsd:element name="tag520" type="tag520Type" minOccurs="0" maxOccurs="unbounded" ncl:chiName="舊題名 (適用於連續性出版物)"
ncl:engName="Former Title (Serials)"/>
176 <xsd:element name="tag530" type="tag530Type" minOccurs="0" maxOccurs="unbounded" ncl:chiName="識別題名 (適用於連續性出版物)"
ncl:engName="Key Title (Serials)"/>
177 <xsd:element name="tag531" type="tag531Type" minOccurs="0" maxOccurs="unbounded" ncl:chiName="簡略題名 (適用於連續性出版物)"
ncl:engName="Abbreviated Title (Serials)"/>
178 <xsd:element name="tag532" type="tag532Type" minOccurs="0" maxOccurs="unbounded" ncl:chiName="完整題名" ncl:engName="Expanded
Title"/>
179 <xsd:element name="tag540" type="tag540Type" minOccurs="0" maxOccurs="unbounded" ncl:chiName="編目員附加題名" ncl:engName="
Additional Title Supplied by Cataloguer"/>
180 <xsd:element name="tag541" type="tag541Type" minOccurs="0" maxOccurs="unbounded" ncl:chiName="編目員翻譯題名" ncl:engName="
Translated Title Supplied by Cataloguer"/>
181 <xsd:element name="tag600" type="tag600Type" minOccurs="0" maxOccurs="unbounded" ncl:chiName="人名標題" ncl:engName="Personal
Name Used as Subject"/>
182 <xsd:element name="tag601" type="tag601Type" minOccurs="0" maxOccurs="unbounded" ncl:chiName="團體名稱標題" ncl:engName="
Corporate Body Name Used as Subject"/>
183 <xsd:element name="tag602" type="tag602Type" minOccurs="0" maxOccurs="unbounded" ncl:chiName="家族名稱標題" ncl:engName="Family
Name Used as Subject"/>
184 <xsd:element name="tag604" type="tag604Type" minOccurs="0" maxOccurs="unbounded" ncl:chiName="著者/題名標題" ncl:engName="
Name and Title Used as Subject"/>
185 <xsd:element name="tag605" type="tag605Type" minOccurs="0" maxOccurs="unbounded" ncl:chiName="題名標題" ncl:engName="Title Used as
Subject"/>
186 <xsd:element name="tag606" type="tag606Type" minOccurs="0" maxOccurs="unbounded" ncl:chiName="主題標題" ncl:engName="Topical
Name Used as Subject"/>
187 <xsd:element name="tag607" type="tag607Type" minOccurs="0" maxOccurs="unbounded" ncl:chiName="地名標題" ncl:engName="
Geographical Name Used as Subject"/>
188 <xsd:element name="tag608" type="tag608Type" minOccurs="0" maxOccurs="unbounded" ncl:chiName="輔助檢索項 (善本書)" ncl:engName="
Auxiliary Access Field (for Chinese Rare Books Only)"/>
189 <xsd:element name="tag610" type="tag610Type" minOccurs="0" maxOccurs="unbounded" ncl:chiName="非控制主題詞彙" ncl:engName="
Uncontrolled Subject Terms"/>
190 <xsd:element name="tag620" type="tag620Type" minOccurs="0" maxOccurs="unbounded" ncl:chiName="輔助檢索項 (出版地、製作地等)"
ncl:engName="Place Access"/>
191 <xsd:element name="tag626" type="tag626Type" minOccurs="0" maxOccurs="unbounded" ncl:chiName="技術細節檢索項 (電腦檔)"
ncl:engName="Technical Details Access (Electronic Resources)"/>
192 <xsd:element name="tag660" type="tag660Type" minOccurs="0" maxOccurs="unbounded" ncl:chiName="地區代碼" ncl:engName="Geographic
Area Code (GAC)"/>
193 <xsd:element name="tag661" type="tag661Type" minOccurs="0" maxOccurs="unbounded" ncl:chiName="年代代碼" ncl:engName="Time Period
Code"/>
194 <xsd:element name="tag670" type="tag670Type" minOccurs="0" maxOccurs="unbounded" ncl:chiName="前後關係索引法" ncl:engName="
Precis"/>
195 <xsd:element name="tag675" type="tag675Type" minOccurs="0" maxOccurs="unbounded" ncl:chiName="國際十進分類號" ncl:engName="
Universal Decimal Classification (UDC)"/>
196 <xsd:element name="tag676" type="tag676Type" minOccurs="0" maxOccurs="unbounded" ncl:chiName="杜威十進分類號" ncl:engName="
Dewey Decimal Classification (DDC)"/>
197 <xsd:element name="tag680" type="tag680Type" minOccurs="0" maxOccurs="unbounded" ncl:chiName="美國國會圖書館分類號" ncl:engName="
Library of Congress Classification"/>
198 <xsd:element name="tag681" type="tag681Type" minOccurs="0" maxOccurs="unbounded" ncl:chiName="中國圖書館分類號" ncl:engName="
Chinese Classification Scheme (CCS)"/>
199 <xsd:element name="tag682" type="tag680Type" minOccurs="0" maxOccurs="unbounded" ncl:chiName="農業資料中心分類號" ncl:engName="
Agricultural Science Information Center (ASIC) Classification Scheme"/>
200 <xsd:element name="tag686" type="tag680Type" minOccurs="0" maxOccurs="unbounded" ncl:chiName="美國國立醫學圖書館分類號"
ncl:engName="National Library of Medicine Classification"/>

```

```

201 <xsd:element name="tag687" type="tag687Type" minOccurs="0" maxOccurs="unbounded" ncl:chiName="其他分類號" ncl:engName="Other
Class Numbers"/>
202 <xsd:element name="tag700" type="tag700Type" minOccurs="0" maxOccurs="unbounded" ncl:chiName="人名—主要著者" ncl:engName="
Personal Name—Primary Intellectual Responsibility"/>
203 <xsd:element name="tag770" type="tag770Type" minOccurs="0" ncl:chiName="人名(羅馬拼音/中譯作品之著者原名)—主要著者"
ncl:engName="Personal Name (Romanization/Original Name of Translated Works)—Primary Intellectual Responsibility"/>
204 <xsd:element name="tag701" type="tag700Type" minOccurs="0" maxOccurs="unbounded" ncl:chiName="人名—合著者或其他相當主要著者"
ncl:engName="Personal Name—Alternative Intellectual Responsibility"/>
205 <xsd:element name="tag771" type="tag770Type" minOccurs="0" maxOccurs="unbounded" ncl:chiName="
人名(羅馬拼音/中譯作品之著者原名)—合著者或其他相當主要著者" ncl:engName="Personal Name (Romanization/Original Name of
Translated Works)—Alternative Intellectual Responsibility"/>
206 <xsd:element name="tag702" type="tag702Type" minOccurs="0" maxOccurs="unbounded" ncl:chiName="人名—輔助著者" ncl:engName="
Personal Name—Secondary Intellectual Responsibility"/>
207 <xsd:element name="tag772" type="tag770Type" minOccurs="0" maxOccurs="unbounded" ncl:chiName="
人名(羅馬拼音/中譯作品之著者原名)—輔助著者" ncl:engName="Personal Name (Romanization/Original Name of Translated
Works)—Secondary Intellectual Responsibility"/>
208 <xsd:element name="tag710" type="tag710Type" minOccurs="0" ncl:chiName="團體名稱—主要著者" ncl:engName=""/>
209 <xsd:element name="tag780" type="tag780Type" minOccurs="0" ncl:chiName="團體名稱(羅馬拼音/中譯作品之著者原名)—主要著者"
ncl:engName="Corporate Body Name (Romanization/Original Name of Translated Works)—Primary Intellectual Responsibility"/>
210 <xsd:element name="tag711" type="tag710Type" minOccurs="0" maxOccurs="unbounded" ncl:chiName="
團體名稱—合著者或其他相當主要著者" ncl:engName="Corporate Body Name—Alternative Intellectual Responsibility"/>
211 <xsd:element name="tag781" type="tag780Type" minOccurs="0" maxOccurs="unbounded" ncl:chiName="
團體名稱(羅馬拼音/中譯作品之著者原名)合著者或其他相當主要著者" ncl:engName="Corporate Body Name (Romanization/Original
Name of Translated Work)—Alternative Intellectual Responsibility"/>
212 <xsd:element name="tag712" type="tag712Type" minOccurs="0" maxOccurs="unbounded" ncl:chiName="團體名稱—輔助著者" ncl:engName="
Corporate Body Name—Secondary Intellectual Responsibility"/>
213 <xsd:element name="tag782" type="tag780Type" minOccurs="0" maxOccurs="unbounded" ncl:chiName="
團體名稱(羅馬拼音/中譯作品之著者原名)—輔助著者" ncl:engName="Corporate Body Name (Romanization/Original Name of Translated
Works)—Secondary Intellectual Responsibility"/>
214 <xsd:element name="tag720" type="tag720Type" minOccurs="0" ncl:chiName="家族名稱—主要著者" ncl:engName="Family Name—Primary
Intellectual Responsibility"/>
215 <xsd:element name="tag790" type="tag720Type" minOccurs="0" ncl:chiName="家族名稱(羅馬拼音/中譯作品之著者原名)—主要著者"
ncl:engName="Family Name (Romanization/Original Name of Translated Works)—Primary Intellectual Responsibility"/>
216 <xsd:element name="tag721" type="tag720Type" minOccurs="0" maxOccurs="unbounded" ncl:chiName="
家族名稱—合著者或其他相當主要著者" ncl:engName="Family Name—Alternative Intellectual Responsibility"/>
217 <xsd:element name="tag791" type="tag720Type" minOccurs="0" maxOccurs="unbounded" ncl:chiName="
家族名稱(羅馬拼音/中譯作品之著者原名)—合著者或其他相當主要著者" ncl:engName="Family Name (Romanization/Original Name of
Translated Works)—Alternative Intellectual Responsibility"/>
218 <xsd:element name="tag722" type="tag720Type" minOccurs="0" maxOccurs="unbounded" ncl:chiName="家族名稱—輔助著者" ncl:engName="
Family Name—Secondary Intellectual Responsibility"/>
219 <xsd:element name="tag792" type="tag720Type" minOccurs="0" maxOccurs="unbounded" ncl:chiName="
家族名稱(羅馬拼音/中譯作品之著者原名)—輔助著者" ncl:engName="Family Name (Romanization/Original Name of Translated
Works)—Secondary Intellectual Responsibility"/>
220 <xsd:element name="tag801" type="tag801Type" minOccurs="0" maxOccurs="unbounded" ncl:chiName="出處欄" ncl:engName="Originating
Source"/>
221 <xsd:element name="tag802" type="tag802Type" minOccurs="0" ncl:chiName="國際叢刊資料系統中心" ncl:engName="ISDS Centre"/>
222 <xsd:element name="tag805" type="tag805Type" minOccurs="0" maxOccurs="unbounded" ncl:chiName="館藏記錄" ncl:engName="Local
Library Holdings
"/>
223 </xsd:sequence>
224 </xsd:complexType>
225 <!--
226 ** 分欄定義 **
227 -->
228 <xsd:complexType name="tag010Type" id="010Type">
229 <xsd:sequence>
230 <xsd:element name="_a" ncl:chiName="號碼" ncl:engName="Number (ISBN)"/>
231 <xsd:element name="_b" minOccurs="0" ncl:chiName="裝訂及其他區別字樣" ncl:engName="Qualification"/>
232 <xsd:element name="_c" minOccurs="0" ncl:chiName="發行性質/價格" ncl:engName="Terms of Availability and/or Price"/>
233 <xsd:element name="_z" minOccurs="0" maxOccurs="unbounded" ncl:chiName="取消/錯誤號碼" ncl:engName="Erroneous ISBN"/>
234 </xsd:sequence>
235 <xsd:attribute name="ind1" type="indicatorDataType" use="required"/>
236 <xsd:attribute name="ind2" use="required" fixed="" />
237 </xsd:complexType>
238 <xsd:complexType name="tag011Type" id="011Type">
239 <xsd:sequence>
240 <xsd:element name="_a" minOccurs="0" ncl:chiName="號碼" ncl:engName="Number (ISSN)"/>
241 <xsd:element name="_b" minOccurs="0" ncl:chiName="裝訂及其他區別字樣" ncl:engName="Qualification"/>
242 <xsd:element name="_d" minOccurs="0" ncl:chiName="發行性質/價格" ncl:engName="Terms of Availability and/or Price"/>
243 <xsd:element name="_y" minOccurs="0" maxOccurs="unbounded" ncl:chiName="取消之號碼" ncl:engName="Cancelled ISSN"/>
244 <xsd:element name="_z" minOccurs="0" maxOccurs="unbounded" ncl:chiName="錯誤號碼" ncl:engName="Erroneous ISSN"/>
245 </xsd:sequence>
246 <xsd:attribute name="ind1" type="indicatorDataType" use="required"/>
247 <xsd:attribute name="ind2" use="required" fixed="" />
248 </xsd:complexType>
249 <!-- type tag020 提供欄號020、021、022共用-->
250 <xsd:complexType name="tag020Type" id="020Type">

```

```

252 <xsd:sequence>
253 <xsd:element name="_a" minOccurs="0" ncl:chiName="國家代碼" ncl:engName="Country Code"/>
254 <xsd:element name="_b" minOccurs="0" ncl:chiName="號碼" ncl:engName="Number"/>
255 <xsd:element name="_z" minOccurs="0" maxOccurs="unbounded" ncl:chiName="取消/錯誤號碼" ncl:engName="Erroneous Number"/>
256 </xsd:sequence>
257 <xsd:attribute name="ind1" use="required" fixed=""/>
258 <xsd:attribute name="ind2" use="required" fixed=""/>
259 </xsd:complexType>
260 <xsd:complexType name="tag025Type" id="025Type">
261 <xsd:sequence>
262 <xsd:element name="_a" minOccurs="0" maxOccurs="unbounded" ncl:chiName="銷售號、庫存號及其他字樣" ncl:engName="Sales
Number / Stock Number"/>
263 <xsd:element name="_b" minOccurs="0" ncl:chiName="來源(編號機構)" ncl:engName="Source (agency assigning number)"/>
264 <xsd:element name="_z" minOccurs="0" maxOccurs="unbounded" ncl:chiName="取消/錯誤號碼" ncl:engName="Cancelled / invalid number"/>
265 </xsd:sequence>
266 <xsd:attribute name="ind1" use="required" fixed=""/>
267 <xsd:attribute name="ind2" use="required" fixed=""/>
268 </xsd:complexType>
269 <xsd:complexType name="tag040Type" id="040Type">
270 <xsd:sequence>
271 <xsd:element name="_a" minOccurs="0" ncl:chiName="叢刊代碼" ncl:engName="CODEN"/>
272 <xsd:element name="_z" minOccurs="0" maxOccurs="unbounded" ncl:chiName="錯誤號碼" ncl:engName="Erroneous CODEN"/>
273 </xsd:sequence>
274 <xsd:attribute name="ind1" use="required" fixed=""/>
275 <xsd:attribute name="ind2" use="required" fixed=""/>
276 </xsd:complexType>
277 <xsd:complexType name="tag042Type" id="042Type">
278 <xsd:sequence>
279 <xsd:element name="_a" minOccurs="0" maxOccurs="unbounded" ncl:chiName="機構代碼" ncl:engName="Authentication Agency Code"/>
280 </xsd:sequence>
281 <xsd:attribute name="ind1" use="required" fixed=""/>
282 <xsd:attribute name="ind2" use="required" fixed=""/>
283 </xsd:complexType>
284 <xsd:complexType name="tag050Type" id="050Type">
285 <xsd:sequence>
286 <xsd:element name="_a" minOccurs="0" ncl:chiName="號碼" ncl:engName="NCL Card Number"/>
287 <xsd:element name="_z" minOccurs="0" maxOccurs="unbounded" ncl:chiName="取消/錯誤號碼" ncl:engName="Erroneous Number"/>
288 </xsd:sequence>
289 <xsd:attribute name="ind1" use="required" fixed=""/>
290 <xsd:attribute name="ind2" use="required" fixed=""/>
291 </xsd:complexType>
292 <xsd:complexType name="tag071Type" id="071Type">
293 <xsd:sequence>
294 <xsd:element name="_a" minOccurs="0" ncl:chiName="出版者資料編號" ncl:engName="Publisher's Number"/>
295 <xsd:element name="_b" minOccurs="0" ncl:chiName="來源" ncl:engName="Source"/>
296 </xsd:sequence>
297 <xsd:attribute name="ind1" type="indicatorDataType" use="required"/>
298 <xsd:attribute name="ind2" type="indicatorDataType" use="required"/>
299 </xsd:complexType>
300 <!--
301 1 XX 「代碼資料段」欄位內容宣告
302 -->
303 <xsd:complexType name="tag100Type" id="100Type">
304 <xsd:sequence>
305 <xsd:element name="_a" type="tag100aFieldType" ncl:chiName="一般性資料" ncl:engName="General Processing Data"/>
306 </xsd:sequence>
307 <xsd:attribute name="ind1" use="required" fixed=""/>
308 <xsd:attribute name="ind2" use="required" fixed=""/>
309 </xsd:complexType>
310 <xsd:simpleType name="tag100aFieldType">
311 <xsd:restriction base="xsd:string">
312 <xsd:length value="35"/>
313 <xsd:whiteSpace value="preserve"/>
314 <xsd:pattern value="[\\d]{8}[a-gy]{1}[\\d ]{4}[\\d ]{4}[a-zA-z]{3}[a-huyz]{1}(01)[a-z]{3}(albldy)(01020304050609)[\\da-zA-Z]{4}[a-lz]{1}"/>
315 </xsd:restriction>
316 </xsd:simpleType>
317 <xsd:complexType name="tag101Type" id="101Type">
318 <xsd:sequence>
319 <xsd:element name="_a" minOccurs="0" maxOccurs="unbounded" ncl:chiName="正文語文" ncl:engName="Language of Text"/>
320 <xsd:element name="_b" minOccurs="0" maxOccurs="unbounded" ncl:chiName="據以翻譯之譯文語文" ncl:engName="Language of
Intermediate Text when Item is Not Translated from Original"/>
321 <xsd:element name="_c" minOccurs="0" maxOccurs="unbounded" ncl:chiName="原文" ncl:engName="Language of Original Work"/>
322 <xsd:element name="_d" minOccurs="0" maxOccurs="unbounded" ncl:chiName="提要語文" ncl:engName="Language of Summary"/>
323 <xsd:element name="_e" minOccurs="0" maxOccurs="unbounded" ncl:chiName="目次語文" ncl:engName="Language of Contents Page"/>
324 <xsd:element name="_f" minOccurs="0" maxOccurs="unbounded" ncl:chiName="題名頁語文(別於正文時)" ncl:engName="Language of
Title Page if Different from Text"/>
325 <xsd:element name="_g" minOccurs="0" ncl:chiName="正題名語文(如非正文語文)" ncl:engName="Language of Title Proper if Not First

```

```

Language of Text"/>
326 <xsd:element name="_h" minOccurs="0" maxOccurs="unbounded" ncl:chiName="歌詞語文（適用於錄音及文字資料並存時）" ncl:engName
="Language of Libretto, etc."/>
327 <xsd:element name="_i" minOccurs="0" maxOccurs="unbounded" ncl:chiName="附件語文（別於摘要、歌詞時）" ncl:engName="Language
of Accompanying Material（Other than Summaries, Abstracts or Librettos）"/>
328 <xsd:element name="_j" minOccurs="0" maxOccurs="unbounded" ncl:chiName="影片字幕語文" ncl:engName="Language of Subtitles"/>
329 </xsd:sequence>
330 <xsd:attribute name="ind1" type="indicatorDataType" use="required"/>
331 <xsd:attribute name="ind2" use="required" fixed=""/>
332 </xsd:complexType>
333 <xsd:complexType name="tag102Type" id="102Type">
334 <xsd:sequence>
335 <xsd:element name="_a" minOccurs="0" maxOccurs="unbounded" ncl:chiName="出版國別" ncl:engName="Country of Publication"/>
336 <xsd:element name="_b" minOccurs="0" maxOccurs="unbounded" ncl:chiName="出版地區" ncl:engName="Locality of Publication"/>
337 <xsd:element name="_c" minOccurs="0" maxOccurs="unbounded" ncl:chiName="出版縣市" ncl:engName="County/City of Publication"/>
338 </xsd:sequence>
339 <xsd:attribute name="ind1" use="required" fixed=""/>
340 <xsd:attribute name="ind2" use="required" fixed=""/>
341 </xsd:complexType>
342 <xsd:complexType name="tag105Type" id="105Type">
343 <xsd:sequence>
344 <xsd:element name="_a" type="tag105aFieldType" ncl:chiName="圖書之資料代碼" ncl:engName="Monograph Coded Data"/>
345 </xsd:sequence>
346 <xsd:attribute name="ind1" use="required" fixed=""/>
347 <xsd:attribute name="ind2" use="required" fixed=""/>
348 </xsd:complexType>
349 <xsd:simpleType name="tag105aFieldType">
350 <xsd:restriction base="xsd:string">
351 <xsd:length value="13"/>
352 <xsd:whiteSpace value="preserve"/>
353 <xsd:pattern value="[a-z]{4}[a-z]{4}(01)(01)(01)(a-hlyl)(a-dly)"/>
354 </xsd:restriction>
355 </xsd:simpleType>
356 <xsd:complexType name="tag106Type" id="106Type">
357 <xsd:sequence>
358 <xsd:element name="_a" type="tag106aFieldType" maxOccurs="unbounded" ncl:chiName="文字資料形式代碼" ncl:engName="Textual Material
Coded Data -- Physical Medium Designator"/>
359 </xsd:sequence>
360 <xsd:attribute name="ind1" use="required" fixed=""/>
361 <xsd:attribute name="ind2" use="required" fixed=""/>
362 </xsd:complexType>
363 <xsd:simpleType name="tag106aFieldType">
364 <xsd:restriction base="xsd:string">
365 <xsd:length value="1"/>
366 <xsd:pattern value="(d|e|f|g|h|i|j|k|l)"/>
367 </xsd:restriction>
368 </xsd:simpleType>
369 <xsd:complexType name="tag110Type" id="110Type">
370 <xsd:sequence>
371 <xsd:element name="_a" type="tag110aFieldType" ncl:chiName="連續性出版品之資料代碼" ncl:engName="Serial Coded Data"/>
372 </xsd:sequence>
373 <xsd:attribute name="ind1" use="required" fixed=""/>
374 <xsd:attribute name="ind2" use="required" fixed=""/>
375 </xsd:complexType>
376 <xsd:simpleType name="tag110aFieldType">
377 <xsd:restriction base="xsd:string">
378 <xsd:length value="11"/>
379 <xsd:whiteSpace value="preserve"/>
380 <xsd:pattern value="(a|b|c|d)(a-z)(a|b|c|d)(a-z)[a-z]{3}(01)(a-g|u|x|y|z)(a-m|u|x|y|z)"/>
381 </xsd:restriction>
382 </xsd:simpleType>
383 <xsd:complexType name="tag115Type" id="115Type">
384 <xsd:sequence>
385 <xsd:element name="_a" type="tag115aFieldType" minOccurs="0" ncl:chiName="資料代碼（一般性）" ncl:engName="Coded Data -- General"/>
386 <xsd:element name="_b" type="tag115bFieldType" minOccurs="0" ncl:chiName="影片代碼（存檔資料）" ncl:engName="Motion Picture
Coded Data -- Archival"/>
387 </xsd:sequence>
388 <xsd:attribute name="ind1" use="required" fixed=""/>
389 <xsd:attribute name="ind2" use="required" fixed=""/>
390 </xsd:complexType>
391 <xsd:simpleType name="tag115aFieldType">
392 <xsd:restriction base="xsd:string">
393 <xsd:length value="20"/>
394 <xsd:whiteSpace value="preserve"/>
395 <xsd:pattern value="(a|b|c|d)[d]{3}(a-c|u|z)(a|b|c|d)(a-i|z|u|y)[a-z]{13}"/>
396 </xsd:restriction>
397 </xsd:simpleType>

```

```

398 <xsd:simpleType name="tag115bFieldType">
399 <xsd:restriction base="xsd:string">
400 <xsd:length value="15"/>
401 <xsd:whiteSpace value="preserve"/>
402 <xsd:pattern value="[a-z]{9}[d]{6}"/>
403 </xsd:restriction>
404 </xsd:simpleType>
405 <xsd:complexType name="tag116Type" id="116Type">
406 <xsd:sequence>
407 <xsd:element name="_a" type="tag116FieldType" ncl:chiName="圖片資料之代碼" ncl:engName="Coded Data for Graphics"/>
408 </xsd:sequence>
409 <xsd:attribute name="ind1" use="required" fixed=""/>
410 <xsd:attribute name="ind2" use="required" fixed=""/>
411 </xsd:complexType>
412 <xsd:simpleType name="tag116FieldType">
413 <xsd:restriction base="xsd:string">
414 <xsd:length value="4"/>
415 <xsd:pattern value="[a-z]"/>
416 </xsd:restriction>
417 </xsd:simpleType>
418 <xsd:complexType name="tag120Type" id="120Type">
419 <xsd:sequence>
420 <xsd:element name="_a" type="tag120FieldType" ncl:chiName="地圖資料之代碼 (一般性)" ncl:engName="Cartographic Material Coded
Data (General)"/>
421 </xsd:sequence>
422 <xsd:attribute name="ind1" use="required" fixed=""/>
423 <xsd:attribute name="ind2" use="required" fixed=""/>
424 </xsd:complexType>
425 <xsd:simpleType name="tag120FieldType">
426 <xsd:restriction base="xsd:string">
427 <xsd:length value="13"/>
428 <xsd:pattern value="[a-z]"/>
429 </xsd:restriction>
430 </xsd:simpleType>
431 <xsd:complexType name="tag121Type" id="121Type">
432 <xsd:sequence>
433 <xsd:element name="_a" type="tag121aFieldType" minOccurs="0" ncl:chiName="地圖資料之形式特性 (一般性)" ncl:engName="
Cartographic Material Coded Data : Physical attributes (General)"/>
434 <xsd:element name="_b" type="tag121bFieldType" minOccurs="0" ncl:chiName="航空照像及遙測形式代碼" ncl:engName="Aerial
Photography and Remote Sensing Coded Data : Physical Attributes"/>
435 </xsd:sequence>
436 <xsd:attribute name="ind1" use="required" fixed=""/>
437 <xsd:attribute name="ind2" use="required" fixed=""/>
438 </xsd:complexType>
439 <xsd:simpleType name="tag121aFieldType">
440 <xsd:restriction base="xsd:string">
441 <xsd:length value="9"/>
442 <xsd:pattern value="[a-z]"/>
443 </xsd:restriction>
444 </xsd:simpleType>
445 <xsd:simpleType name="tag121bFieldType">
446 <xsd:restriction base="xsd:string">
447 <xsd:length value="8"/>
448 <xsd:whiteSpace value="preserve"/>
449 <xsd:pattern value="[a-z]{2}[\dxx]{2}(a-d)[d]{1}[\da-z]{2}"/>
450 </xsd:restriction>
451 </xsd:simpleType>
452 <xsd:complexType name="tag122Type" id="122Type">
453 <xsd:sequence>
454 <xsd:element name="_a" type="tag122aFieldType" maxOccurs="unbounded" ncl:chiName="作品涵蓋時間" ncl:engName="Time period, 9999
B.C. to present"/>
455 </xsd:sequence>
456 <xsd:attribute name="ind1" type="indicatorDataType" use="required"/>
457 <xsd:attribute name="ind2" use="required" fixed=""/>
458 </xsd:complexType>
459 <xsd:simpleType name="tag122aFieldType">
460 <xsd:restriction base="xsd:string">
461 <xsd:maxLength value="11"/>
462 <xsd:pattern value="(cld)[d]{10}"/>
463 </xsd:restriction>
464 </xsd:simpleType>
465 <xsd:complexType name="tag123Type" id="123Type">
466 <xsd:sequence>
467 <xsd:element name="_a" type="tag123aFieldType" ncl:chiName="比例尺型式" ncl:engName="Type of Scale"/>
468 <xsd:element name="_b" minOccurs="0" maxOccurs="unbounded" ncl:chiName="水平比例尺" ncl:engName="Constant Ratio Linear Horizontal
Scale"/>
469 <xsd:element name="_c" minOccurs="0" maxOccurs="unbounded" ncl:chiName="垂直比例尺" ncl:engName="Constant Ratio Linear Vertical

```



```

Scale"/>
470 <xsd:element name="_d" type="tag123dFieldType" minOccurs="0" ncl:chiName="座標—最西邊之經度" ncl:engName="
Co-ordinates — Westernmost Longitude"/>
471 <xsd:element name="_e" type="tag123dFieldType" minOccurs="0" ncl:chiName="座標—最東邊之經度" ncl:engName="
Co-ordinates — Easternmost Longitude"/>
472 <xsd:element name="_f" type="tag123dFieldType" minOccurs="0" ncl:chiName="座標—最北邊之經度" ncl:engName="
Co-ordinates — Northernmost Latitude"/>
473 <xsd:element name="_g" type="tag123dFieldType" minOccurs="0" ncl:chiName="座標—最南邊之經度" ncl:engName="
Co-ordinates — Southernmost Latitude"/>
474 <xsd:element name="_h" type="tag123hFieldType" minOccurs="0" maxOccurs="unbounded" ncl:chiName="角比例尺" ncl:engName="Angular
Scale"/>
475 <xsd:element name="_i" type="tag123dFieldType" minOccurs="0" ncl:chiName="赤緯（向北天極）" ncl:engName="Declination — Northern
Limit"/>
476 <xsd:element name="_j" type="tag123dFieldType" minOccurs="0" ncl:chiName="赤緯（向南天極）" ncl:engName="Declination — Southern
Limit"/>
477 <xsd:element name="_k" type="tag123kFieldType" minOccurs="0" ncl:chiName="赤經（東端）" ncl:engName="Right ascension — Eastern Limits
"/>
478 <xsd:element name="_m" type="tag123kFieldType" minOccurs="0" ncl:chiName="赤經（西端）" ncl:engName="Right ascension — Western
Limits"/>
479 <xsd:element name="_n" minOccurs="0" ncl:chiName="晝夜平分點" ncl:engName="Equinox"/>
480 </xsd:sequence>
481 <xsd:attribute name="ind1" type="indicatorDataType" use="required"/>
482 <xsd:attribute name="ind2" use="required" fixed=""/>
483 </xsd:complexType>
484 <xsd:simpleType name="tag123aFieldType">
485 <xsd:restriction base="xsd:string">
486 <xsd:length value="1"/>
487 <xsd:pattern value="(alblz)"/>
488 </xsd:restriction>
489 </xsd:simpleType>
490 <xsd:simpleType name="tag123dFieldType">
491 <xsd:restriction base="xsd:string">
492 <xsd:length value="8"/>
493 <xsd:whiteSpace value="preserve"/>
494 <xsd:pattern value="(wlelnls)[\d]{7}"/>
495 </xsd:restriction>
496 </xsd:simpleType>
497 <xsd:simpleType name="tag123hFieldType">
498 <xsd:restriction base="xsd:string">
499 <xsd:length value="4"/>
500 </xsd:restriction>
501 </xsd:simpleType>
502 <xsd:simpleType name="tag123kFieldType">
503 <xsd:restriction base="xsd:string">
504 <xsd:length value="6"/>
505 <xsd:whiteSpace value="preserve"/>
506 <xsd:pattern value="[\d]{6}"/>
507 </xsd:restriction>
508 </xsd:simpleType>
509 <xsd:complexType name="tag124Type" id="124Type">
510 <xsd:sequence>
511 <xsd:element name="_a" type="tag124aFieldType" minOccurs="0" ncl:chiName="影像性質" ncl:engName="Character of Image"/>
512 <xsd:element name="_b" type="tag124FieldType" minOccurs="0" maxOccurs="unbounded" ncl:chiName="地圖形式" ncl:engName="Form of
Cartographic Item"/>
513 <xsd:element name="_c" type="tag124cFieldType" minOccurs="0" maxOccurs="unbounded" ncl:chiName="照相或非照相影像之顯像技術"
ncl:engName="Presentation Technique for Photographic or Non-Photographic Image"/>
514 <xsd:element name="_d" type="tag124FieldType" minOccurs="0" maxOccurs="unbounded" ncl:chiName="照相或遙測影像之載臺位置"
ncl:engName="Position of Platform for Photographic or Remote Sensing Image"/>
515 <xsd:element name="_e" type="tag124FieldType" minOccurs="0" maxOccurs="unbounded" ncl:chiName="遙測影像之太空衛星種類"
ncl:engName="Category of Satellite for Remote Sensing Image"/>
516 <xsd:element name="_f" type="tag124FieldType" minOccurs="0" maxOccurs="unbounded" ncl:chiName="遙測影像之太空衛星名稱"
ncl:engName="Name of Satellite for Remote Sensing Image"/>
517 <xsd:element name="_g" type="tag124FieldType" minOccurs="0" maxOccurs="unbounded" ncl:chiName="遙測影像之錄影技術" ncl:engName
="Recording Technique for Remote Sensing Image"/>
518 </xsd:sequence>
519 <xsd:attribute name="ind1" use="required" fixed=""/>
520 <xsd:attribute name="ind2" use="required" fixed=""/>
521 </xsd:complexType>
522 <xsd:simpleType name="tag124aFieldType">
523 <xsd:restriction base="xsd:string">
524 <xsd:length value="1"/>
525 <xsd:enumeration value="_a"/>
526 <xsd:enumeration value="_b"/>
527 <xsd:enumeration value="_c"/>
528 </xsd:restriction>
529 </xsd:simpleType>
530 <xsd:simpleType name="tag124cFieldType">

```

```

531     <xsd:restriction base="xsd:string">
532         <xsd:length value="2"/>
533         <xsd:pattern value="(ald)[a-z]{1}"/>
534     </xsd:restriction>
535 </xsd:simpleType>
536 <xsd:simpleType name="tag124FieldType">
537     <xsd:restriction base="xsd:string">
538         <xsd:length value="1"/>
539         <xsd:pattern value="[a-z]"/>
540     </xsd:restriction>
541 </xsd:simpleType>
542 <xsd:complexType name="tag125Type" id="125Type">
543     <xsd:sequence>
544         <xsd:element name="_a" type="tag125FieldType" minOccurs="0" ncl:chiName="樂譜資料代碼" ncl:engName="Format of Printed Music"/>
545         <xsd:element name="_b" type="tag125FieldType" minOccurs="0" ncl:chiName="錄音資料代碼（非音樂性）" ncl:engName="Literary Text
Indicator（Non-Music Performance）"/>
546     </xsd:sequence>
547     <xsd:attribute name="ind1" use="required" fixed="" />
548     <xsd:attribute name="ind2" use="required" fixed="" />
549 </xsd:complexType>
550 <xsd:simpleType name="tag125FieldType">
551     <xsd:restriction base="xsd:string">
552         <xsd:length value="2"/>
553         <xsd:pattern value="[a-z]"/>
554     </xsd:restriction>
555 </xsd:simpleType>
556 <xsd:complexType name="tag126Type" id="126Type">
557     <xsd:sequence>
558         <xsd:element name="_a" type="tag126aFieldType" minOccurs="0" maxOccurs="unbounded" ncl:chiName="錄音資料代碼（一般性）"
ncl:engName="Sound Recording Coded Data（General）"/>
559         <xsd:element name="_b" type="tag126bFieldType" minOccurs="0" ncl:chiName="錄音資料代碼（詳細資料）" ncl:engName="Sound
Recording Coded Data（Detail）"/>
560     </xsd:sequence>
561     <xsd:attribute name="ind1" use="required" fixed="" />
562     <xsd:attribute name="ind2" use="required" fixed="" />
563 </xsd:complexType>
564 <xsd:simpleType name="tag126aFieldType">
565     <xsd:restriction base="xsd:string">
566         <xsd:length value="15"/>
567         <xsd:pattern value="[a-z]"/>
568     </xsd:restriction>
569 </xsd:simpleType>
570 <xsd:simpleType name="tag126bFieldType">
571     <xsd:restriction base="xsd:string">
572         <xsd:length value="3"/>
573         <xsd:pattern value="[a-z]"/>
574     </xsd:restriction>
575 </xsd:simpleType>
576 <xsd:complexType name="tag127Type" id="127Type">
577     <xsd:sequence>
578         <xsd:element name="_a" type="xsd:dateTime" maxOccurs="unbounded" ncl:chiName="時間" ncl:engName="Duration"/>
579     </xsd:sequence>
580     <xsd:attribute name="ind1" use="required" fixed="" />
581     <xsd:attribute name="ind2" use="required" fixed="" />
582 </xsd:complexType>
583 <xsd:complexType name="tag128Type" id="128Type">
584     <xsd:sequence>
585         <xsd:element name="_a" type="tag128aFieldType" minOccurs="0" maxOccurs="unbounded" ncl:chiName="作曲形式（音樂演奏或樂譜）"
ncl:engName="Form of Composition"/>
586         <xsd:element name="_b" type="tag128FieldType" minOccurs="0" maxOccurs="unbounded" ncl:chiName="合奏或合唱（音樂演奏或樂譜）"
ncl:engName="Instruments or Voices for Ensemble"/>
587         <xsd:element name="_c" type="tag128FieldType" minOccurs="0" maxOccurs="unbounded" ncl:chiName="獨奏或獨唱（音樂演奏或樂譜）"
ncl:engName="Instruments or Voices for Soloists"/>
588     </xsd:sequence>
589     <xsd:attribute name="ind1" use="required" fixed="" />
590     <xsd:attribute name="ind2" use="required" fixed="" />
591 </xsd:complexType>
592 <xsd:simpleType name="tag128aFieldType">
593     <xsd:restriction base="xsd:string">
594         <xsd:length value="2"/>
595         <xsd:pattern value="[a-z]"/>
596     </xsd:restriction>
597 </xsd:simpleType>
598 <xsd:simpleType name="tag128FieldType">
599     <xsd:restriction base="xsd:string">
600         <xsd:maxLength value="4"/>
601         <xsd:pattern value="[a-z]"/>

```

```

602     </xsd:restriction>
603 </xsd:simpleType>
604 <xsd:complexType name="tag129Type" id="129Type">
605     <xsd:sequence>
606         <xsd:element name="_a" type="tag129FieldType" ncl:chiName="拓片之資料代碼" ncl:engName="Rubbing material coded data"/>
607     </xsd:sequence>
608     <xsd:attribute name="ind1" use="required" fixed="" />
609     <xsd:attribute name="ind2" use="required" fixed="" />
610 </xsd:complexType>
611 <xsd:simpleType name="tag129FieldType">
612     <xsd:restriction base="xsd:string">
613         <xsd:length value="7"/>
614         <xsd:pattern value="[a-z]"/>
615     </xsd:restriction>
616 </xsd:simpleType>
617 <xsd:complexType name="tag130Type" id="130Type">
618     <xsd:sequence>
619         <xsd:element name="_a" type="tag130FieldType" maxOccurs="unbounded" ncl:chiName="微縮資料形式特性" ncl:engName="Microform
Coded Data – Physical Attributes"/>
620     </xsd:sequence>
621     <xsd:attribute name="ind1" use="required" fixed="" />
622     <xsd:attribute name="ind2" use="required" fixed="" />
623 </xsd:complexType>
624 <xsd:simpleType name="tag130FieldType">
625     <xsd:restriction base="xsd:string">
626         <xsd:length value="11"/>
627         <xsd:pattern value="[a-z]"/>
628     </xsd:restriction>
629 </xsd:simpleType>
630 <xsd:complexType name="tag131Type" id="131Type">
631     <xsd:sequence>
632         <xsd:element name="_a" type="tag131FieldType" minOccurs="0" maxOccurs="unbounded" ncl:chiName="球形體" ncl:engName="Spheroid"/>
633         <xsd:element name="_b" type="tag131FieldType" minOccurs="0" maxOccurs="unbounded" ncl:chiName="水平基準面" ncl:engName="
Horizontal Datum"/>
634         <xsd:element name="_c" type="tag131FieldType" minOccurs="0" maxOccurs="unbounded" ncl:chiName="主要網格與座標系統" ncl:engName
="Grid and Referencing System"/>
635         <xsd:element name="_d" type="tag131FieldType" minOccurs="0" maxOccurs="unbounded" ncl:chiName="重疊與座標系統" ncl:engName="
Overlapping and Referencing System"/>
636         <xsd:element name="_e" type="tag131FieldType" minOccurs="0" maxOccurs="unbounded" ncl:chiName="次級網格與座標系統" ncl:engName
=""/>
637         <xsd:element name="_f" type="tag131FieldType" minOccurs="0" maxOccurs="unbounded" ncl:chiName="垂直基準面" ncl:engName="Vertical
Datum"/>
638         <xsd:element name="_g" type="tag131FieldType" minOccurs="0" maxOccurs="unbounded" ncl:chiName="高程測量單位" ncl:engName="Unit
of Measurement of Heighting"/>
639         <xsd:element name="_h" type="tag131hFieldType" minOccurs="0" maxOccurs="unbounded" ncl:chiName="等高線間距" ncl:engName="Contour
Interval"/>
640         <xsd:element name="_i" type="tag131FieldType" minOccurs="0" maxOccurs="unbounded" ncl:chiName="助曲線間距" ncl:engName="
Supplementary Contour Interval"/>
641         <xsd:element name="_j" type="tag131hFieldType" minOccurs="0" maxOccurs="unbounded" ncl:chiName="海深測量單位" ncl:engName="Unit
Measurement of Bathymetry"/>
642         <xsd:element name="_k" type="tag131hFieldType" minOccurs="0" maxOccurs="unbounded" ncl:chiName="等深線間距" ncl:engName="
Bathymetric Interval"/>
643         <xsd:element name="_l" type="tag131hFieldType" minOccurs="0" maxOccurs="unbounded" ncl:chiName="助等深線間距" ncl:engName="
Supplementary Bathymetric Interval"/>
644     </xsd:sequence>
645     <xsd:attribute name="ind1" use="required" fixed="" />
646     <xsd:attribute name="ind2" use="required" fixed="" />
647 </xsd:complexType>
648 <xsd:simpleType name="tag131FieldType">
649     <xsd:restriction base="xsd:string">
650         <xsd:length value="2"/>
651         <xsd:pattern value="[a-z]"/>
652     </xsd:restriction>
653 </xsd:simpleType>
654 <xsd:simpleType name="tag131hFieldType">
655     <xsd:restriction base="xsd:string">
656         <xsd:length value="4"/>
657         <xsd:pattern value="[a-z]"/>
658     </xsd:restriction>
659 </xsd:simpleType>
660 <xsd:complexType name="tag135Type" id="135Type">
661     <xsd:sequence>
662         <xsd:element name="_a" type="tag135FieldType" minOccurs="0" ncl:chiName="電腦檔資料代碼" ncl:engName="Coded Data for Electronic
Resources"/>
663     </xsd:sequence>
664     <xsd:attribute name="ind1" use="required" fixed="" />
665     <xsd:attribute name="ind2" use="required" fixed="" />

```

```

666 </xsd:complexType>
667 <xsd:simpleType name="tag135FieldType">
668 <xsd:restriction base="xsd:string">
669 <xsd:length value="1"/>
670 <xsd:pattern value="[a-z]"/>
671 </xsd:restriction>
672 </xsd:simpleType>
673 <!--
674 2XX 「著錄段」欄位內容宣告
675 -->
676 <xsd:complexType name="tag200Type" id="200Type">
677 <xsd:sequence>
678 <xsd:element name="_a" maxOccurs="unbounded" ncl:chiName="正題名" ncl:engName="Title Proper"/>
679 <xsd:element name="_c" minOccurs="0" maxOccurs="unbounded" ncl:chiName="合刊本其他著者之作品" ncl:engName="Title Proper by
Another Author"/>
680 <xsd:element name="_d" minOccurs="0" maxOccurs="unbounded" ncl:chiName="並列題名" ncl:engName="Parallel Title Proper"/>
681 <xsd:element name="_e" minOccurs="0" maxOccurs="unbounded" ncl:chiName="副題名及其他題名資料" ncl:engName="Other Title
Information"/>
682 <xsd:element name="_f" minOccurs="0" maxOccurs="unbounded" ncl:chiName="第一著者敘述" ncl:engName="First Statement of Responsibility"
/>
683 <xsd:element name="_g" minOccurs="0" maxOccurs="unbounded" ncl:chiName="第二及依次之著者敘述" ncl:engName="Subsequent
Statement of Responsibility"/>
684 <xsd:element name="_h" minOccurs="0" maxOccurs="unbounded" ncl:chiName="編次" ncl:engName="Number of a part"/>
685 <xsd:element name="_i" minOccurs="0" maxOccurs="unbounded" ncl:chiName="編次名稱" ncl:engName="Name of a part"/>
686 <xsd:element name="_p" minOccurs="0" ncl:chiName="卷數" ncl:engName="Number of Chuan"/>
687 <xsd:element name="_y" minOccurs="0" ncl:chiName="冊次號" ncl:engName="Volume Designation"/>
688 <xsd:element name="_z" minOccurs="0" maxOccurs="unbounded" ncl:chiName="並列題名之語文" ncl:engName="Language of Parallel Title
Proper"/>
689 <xsd:element name="_r" minOccurs="0" maxOccurs="unbounded" ncl:chiName="題名之羅馬拼音" ncl:engName="Romanization of Title Proper"
/>
690 </xsd:sequence>
691 <xsd:attribute name="ind1" type="indicatorDataType" use="required"/>
692 <xsd:attribute name="ind2" use="required" fixed=""/>
693 </xsd:complexType>
694 <xsd:complexType name="tag204Type" id="204Type">
695 <xsd:sequence>
696 <xsd:element name="_a" ncl:chiName="資料類型標示" ncl:engName="General Material Designation"/>
697 </xsd:sequence>
698 <xsd:attribute name="ind1" type="indicatorDataType" use="required"/>
699 <xsd:attribute name="ind2" use="required" fixed=""/>
700 </xsd:complexType>
701 <xsd:complexType name="tag205Type" id="205Type">
702 <xsd:sequence>
703 <xsd:element name="_a" ncl:chiName="版本敘述" ncl:engName="Edition Statement"/>
704 <xsd:element name="_b" minOccurs="0" maxOccurs="unbounded" ncl:chiName="版本其他名稱敘述" ncl:engName="Issue Statement"/>
705 <xsd:element name="_d" minOccurs="0" maxOccurs="unbounded" ncl:chiName="並列版敘述" ncl:engName="Parallel Edition Statement"/>
706 <xsd:element name="_f" minOccurs="0" maxOccurs="unbounded" ncl:chiName="版本之第一著者敘述" ncl:engName="Statement of
Responsibility Relating to Edition"/>
707 <xsd:element name="_g" minOccurs="0" maxOccurs="unbounded" ncl:chiName="版本之第二及依次之著者敘述" ncl:engName="Subsequent
Statement of Responsibility"/>
708 </xsd:sequence>
709 <xsd:attribute name="ind1" use="required" fixed=""/>
710 <xsd:attribute name="ind2" use="required" fixed=""/>
711 </xsd:complexType>
712 <xsd:complexType name="tag206Type" id="206Type">
713 <xsd:sequence>
714 <xsd:element name="_a" ncl:chiName="製圖細節" ncl:engName="Mathematical Data Statement"/>
715 </xsd:sequence>
716 <xsd:attribute name="ind1" type="indicatorDataType" use="required"/>
717 <xsd:attribute name="ind2" use="required" fixed=""/>
718 </xsd:complexType>
719 <xsd:complexType name="tag207Type" id="207Type">
720 <xsd:sequence>
721 <xsd:element name="_a" maxOccurs="unbounded" ncl:chiName="卷期、年份編次" ncl:engName="Numbering : Dates and Volume Designations"
/>
722 <xsd:element name="_z" minOccurs="0" ncl:chiName="卷期編次來源" ncl:engName="Source of Numbering Information"/>
723 </xsd:sequence>
724 <xsd:attribute name="ind1" use="required" fixed=""/>
725 <xsd:attribute name="ind2" type="indicatorDataType" use="required"/>
726 </xsd:complexType>
727 <xsd:complexType name="tag208Type" id="208Type">
728 <xsd:sequence>
729 <xsd:element name="_a" ncl:chiName="樂譜" ncl:engName="Printed Music Specific Statement"/>
730 <xsd:element name="_b" minOccurs="0" maxOccurs="unbounded" ncl:chiName="並列樂譜形式" ncl:engName="Parallel Printed Music Specific
Statement(s)"/>
731 </xsd:sequence>
732 <xsd:attribute name="ind1" use="required" fixed=""/>

```

```

733     <xsd:attribute name="ind2" use="required" fixed=" "/>
734   </xsd:complexType>
735   <xsd:complexType name="tag209Type" id="209Type">
736     <xsd:sequence>
737       <xsd:element name="_a" ncl:chiName="檔案型態 (記錄或程式敘述之數量)" ncl:engName="Type of Electronic Resource"/>
738     </xsd:sequence>
739     <xsd:attribute name="ind1" use="required" fixed=" "/>
740     <xsd:attribute name="ind2" use="required" fixed=" "/>
741   </xsd:complexType>
742   <xsd:complexType name="tag210Type" id="210Type">
743     <xsd:sequence>
744       <xsd:element name="_a" minOccurs="0" maxOccurs="unbounded" ncl:chiName="出版地, 經銷地等" ncl:engName="Place of Publication,
Distribution, etc."/>
745       <xsd:element name="_b" minOccurs="0" maxOccurs="unbounded" ncl:chiName="出版者, 經銷者等住址" ncl:engName="Address of
Publisher, Distributor, etc."/>
746       <xsd:element name="_c" minOccurs="0" maxOccurs="unbounded" ncl:chiName="出版者, 經銷者等名稱" ncl:engName="Name of Publisher,
Distributor, etc."/>
747       <xsd:element name="_d" minOccurs="0" maxOccurs="unbounded" ncl:chiName="出版, 經銷等日期" ncl:engName="Date of Publication,
Distribution, etc."/>
748       <xsd:element name="_e" minOccurs="0" maxOccurs="unbounded" ncl:chiName="印製地" ncl:engName="Place of Manufacture"/>
749       <xsd:element name="_f" minOccurs="0" maxOccurs="unbounded" ncl:chiName="印製者位址" ncl:engName="Address of Manufacturer"/>
750       <xsd:element name="_g" minOccurs="0" maxOccurs="unbounded" ncl:chiName="印製者名稱" ncl:engName="Name of Manufacturer"/>
751       <xsd:element name="_h" minOccurs="0" maxOccurs="unbounded" ncl:chiName="印製日期" ncl:engName="Date of Manufacture"/>
752     </xsd:sequence>
753     <xsd:attribute name="ind1" type="indicatorDataType" use="required"/>
754     <xsd:attribute name="ind2" use="required" fixed=" "/>
755   </xsd:complexType>
756   <xsd:complexType name="tag211Type" id="211Type">
757     <xsd:sequence>
758       <xsd:element name="_a" type="tag211FieldType" ncl:chiName="出版日期" ncl:engName="Date"/>
759     </xsd:sequence>
760     <xsd:attribute name="ind1" use="required" fixed=" "/>
761     <xsd:attribute name="ind2" use="required" fixed=" "/>
762   </xsd:complexType>
763   <xsd:simpleType name="tag211FieldType">
764     <xsd:restriction base="xsd:string">
765       <xsd:length value="4"/>
766       <xsd:pattern value="[d]{4}"/>
767     </xsd:restriction>
768   </xsd:simpleType>
769   <xsd:complexType name="tag215Type" id="215Type">
770     <xsd:sequence>
771       <xsd:element name="_a" minOccurs="0" maxOccurs="unbounded" ncl:chiName="數量 (面數, 冊數或其他)" ncl:engName="Specific
Material Designation and Extent of Item"/>
772       <xsd:element name="_b" minOccurs="0" ncl:chiName="插圖及其他稽核細節" ncl:engName="Other Physical Details"/>
773       <xsd:element name="_d" minOccurs="0" maxOccurs="unbounded" ncl:chiName="高廣、尺寸" ncl:engName="Dimensions"/>
774       <xsd:element name="_e" minOccurs="0" maxOccurs="unbounded" ncl:chiName="附件" ncl:engName="Accompanying Material"/>
775     </xsd:sequence>
776     <xsd:attribute name="ind1" type="indicatorDataType" use="required"/>
777     <xsd:attribute name="ind2" use="required" fixed=" "/>
778   </xsd:complexType>
779   <xsd:complexType name="tag225Type" id="225Type">
780     <xsd:sequence>
781       <xsd:element name="_a" ncl:chiName="集叢名" ncl:engName="Series Title"/>
782       <xsd:element name="_b" minOccurs="0" maxOccurs="unbounded" ncl:chiName="並列集叢名" ncl:engName="Parallel Series Title"/>
783       <xsd:element name="_e" minOccurs="0" maxOccurs="unbounded" ncl:chiName="集叢副題名" ncl:engName="Other Title Information"/>
784       <xsd:element name="_f" minOccurs="0" maxOccurs="unbounded" ncl:chiName="著者敘述" ncl:engName="Statement of Responsibility"/>
785       <xsd:element name="_h" minOccurs="0" maxOccurs="unbounded" ncl:chiName="編次" ncl:engName="Number of a part"/>
786       <xsd:element name="_i" minOccurs="0" maxOccurs="unbounded" ncl:chiName="編次名稱" ncl:engName="Name of a part"/>
787       <xsd:element name="_v" minOccurs="0" maxOccurs="unbounded" ncl:chiName="集叢號" ncl:engName="Volume Designation"/>
788       <xsd:element name="_x" minOccurs="0" maxOccurs="unbounded" ncl:chiName="集叢之國際標準業刊號" ncl:engName="ISSN of Series"/>
789       <xsd:element name="_z" minOccurs="0" maxOccurs="unbounded" ncl:chiName="並列集叢名之語文" ncl:engName="Language of Parallel Title"/>
790       <xsd:element name="_r" minOccurs="0" ncl:chiName="集叢名之羅馬拼音" ncl:engName="Romanization of Series Statement"/>
791     </xsd:sequence>
792     <xsd:attribute name="ind1" type="indicatorDataType" use="required"/>
793     <xsd:attribute name="ind2" use="required" fixed=" "/>
794   </xsd:complexType>
795   <!--
796     3XX 「附註段」欄位內容宣告
797   -->
798   <xsd:complexType name="tag300Type" id="300Type">
799     <xsd:sequence>
800       <xsd:element name="_a" ncl:chiName="附註" ncl:engName="Text of Note"/>
801       <xsd:element name="_u" minOccurs="0" ncl:chiName="國際書目交換用之附註" ncl:engName="United languages"/>
802     </xsd:sequence>
803     <xsd:attribute name="ind1" use="required" fixed=" "/>
804     <xsd:attribute name="ind2" use="required" fixed=" "/>

```

```

805 </xsd:complexType>
806 <xsd:complexType name="tag321Type" id="321Type">
807   <xsd:sequence>
808     <xsd:element name="_a" ncl:chiName="被索引、摘要及引用之書目註" ncl:engName="Indexes, Abstracts, References Note"/>
809     <xsd:element name="_b" minOccurs="0" ncl:chiName="日期" ncl:engName="Dates of Coverage"
810   />
811     <xsd:element name="_x" minOccurs="0" ncl:chiName="ISSN" ncl:engName="International Standard Serial Number (ISSN)"/>
812     <xsd:element name="_u" minOccurs="0" ncl:chiName="國際書目交換用之附註" ncl:engName="United Languages"/>
813   </xsd:sequence>
814   <xsd:attribute name="ind1" type="indicatorDataType" use="required"/>
815   <xsd:attribute name="ind2" use="required" fixed="" />
816 </xsd:complexType>
817 <xsd:complexType name="tag326Type" id="326Type">
818   <xsd:sequence>
819     <xsd:element name="_a" ncl:chiName="刊期" ncl:engName="Frequency"/>
820     <xsd:element name="_b" minOccurs="0" ncl:chiName="日期" ncl:engName="Dates of Frequency"/>
821     <xsd:element name="_u" minOccurs="0" ncl:chiName="國際書目交換用之附註" ncl:engName="United Languages"/>
822   </xsd:sequence>
823   <xsd:attribute name="ind1" use="required" fixed="" />
824   <xsd:attribute name="ind2" use="required" fixed="" />
825 </xsd:complexType>
826 <xsd:complexType name="tag327Type" id="327Type">
827   <xsd:sequence>
828     <xsd:element name="_a" maxOccurs="unbounded" ncl:chiName="內容註細目" ncl:engName="Entry in Contents Note"/>
829   </xsd:sequence>
830   <xsd:attribute name="ind1" type="indicatorDataType" use="required"/>
831   <xsd:attribute name="ind2" use="required" fixed="" />
832 </xsd:complexType>
833 <xsd:complexType name="tag345Type" id="345Type">
834   <xsd:sequence>
835     <xsd:element name="_a" maxOccurs="unbounded" ncl:chiName="採訪來源之名稱或地址" ncl:engName="Source for
Acquisition / Subscription Address"/>
836     <xsd:element name="_b" maxOccurs="unbounded" ncl:chiName="庫存號碼" ncl:engName="Stock Number"/>
837     <xsd:element name="_c" maxOccurs="unbounded" ncl:chiName="媒體形式" ncl:engName="Medium"/>
838     <xsd:element name="_d" maxOccurs="unbounded" ncl:chiName="發行性質 / 價格" ncl:engName="Terms of Availability"/>
839     <xsd:element name="_p" maxOccurs="unbounded" ncl:chiName="郵撥帳號及帳戶" ncl:engName="Postal Remittance Account"/>
840     <xsd:element name="_t" maxOccurs="unbounded" ncl:chiName="電話" ncl:engName="Telephone Number"/>
841     <xsd:element name="_u" maxOccurs="unbounded" ncl:chiName="國際書目交換用之附註" ncl:engName="United Languages"/>
842   </xsd:sequence>
843   <xsd:attribute name="ind1" use="required" fixed="" />
844   <xsd:attribute name="ind2" use="required" fixed="" />
845 </xsd:complexType>
846 <!--
847   4XX 「連接款目段」欄位內容宣告，4XX段具有數字之分欄名稱
848   -->
849 <xsd:complexType name="tag400Type" id="400Type">
850   <xsd:sequence>
851     <xsd:element name="_1" maxOccurs="unbounded" ncl:chiName="相關之資料欄位" ncl:engName="Any Data Field"/>
852   </xsd:sequence>
853   <xsd:attribute name="ind1" use="required" fixed="" />
854   <xsd:attribute name="ind2" type="indicatorDataType" use="required"/>
855 </xsd:complexType>
856 <!--
857   5XX 「相關題名段」欄位內容宣告
858   -->
859 <xsd:complexType name="tag500Type" id="500Type">
860   <xsd:sequence>
861     <xsd:element name="_a" ncl:chiName="劃一題名" ncl:engName="Uniform Title"/>
862     <xsd:element name="_h" minOccurs="0" maxOccurs="unbounded" ncl:chiName="編次" ncl:engName="Number of Section or Part"/>
863     <xsd:element name="_j" minOccurs="0" maxOccurs="unbounded" ncl:chiName="編次名稱" ncl:engName="Name of Section or Part"/>
864     <xsd:element name="_k" minOccurs="0" ncl:chiName="出版日期" ncl:engName="Date of Publication"/>
865     <xsd:element name="_l" minOccurs="0" ncl:chiName="形式副標目" ncl:engName="Form Subheading"/>
866     <xsd:element name="_m" minOccurs="0" ncl:chiName="作品語文" ncl:engName="Language (when part of a heading)"/>
867     <xsd:element name="_n" minOccurs="0" maxOccurs="unbounded" ncl:chiName="其他" ncl:engName="Miscellaneous Information"/>
868     <xsd:element name="_p" minOccurs="0" ncl:chiName="卷數" ncl:engName="Chuan"/>
869     <xsd:element name="_q" minOccurs="0" ncl:chiName="版本 (或版本日期)" ncl:engName="Version (or Date of Version)"/>
870     <xsd:element name="_s" minOccurs="0" maxOccurs="unbounded" ncl:chiName="作品號" ncl:engName="Numeric Designation (for Music)"/>
871     <xsd:element name="_t" minOccurs="0" maxOccurs="unbounded" ncl:chiName="媒體" ncl:engName="Medium of Performance (for Music)"/>
872     <xsd:element name="_u" minOccurs="0" ncl:chiName="調性 (適用於音樂資料)" ncl:engName="Key (for Music)"/>
873     <xsd:element name="_v" minOccurs="0" ncl:chiName="冊次號" ncl:engName="Volume Designation"/>
874     <xsd:element name="_w" minOccurs="0" ncl:chiName="編曲" ncl:engName="Arranged Statement (for Music)"/>
875     <xsd:element name="_x" minOccurs="0" maxOccurs="unbounded" ncl:chiName="主題複分" ncl:engName="Topical Subdivision"/>
876     <xsd:element name="_y" minOccurs="0" maxOccurs="unbounded" ncl:chiName="地區複分" ncl:engName="Geographical Subdivision"/>
877     <xsd:element name="_z" minOccurs="0" maxOccurs="unbounded" ncl:chiName="時代複分" ncl:engName="Chronological Subdivision"/>
878     <xsd:element name="_3" minOccurs="0" ncl:chiName="標題系統代碼" ncl:engName="System Code"/>
879     <xsd:element name="_2" minOccurs="0" ncl:chiName="權威記錄號碼" ncl:engName="Authority Record Number"/>
880     <xsd:element name="_r" minOccurs="0" ncl:chiName="羅馬拼音" ncl:engName="Romanization of Uniform Title"/>

```

```

881     </xsd:sequence>
882     <xsd:attribute name="ind1" type="indicatorDataType" use="required"/>
883     <xsd:attribute name="ind2" type="indicatorDataType" use="required"/>
884   </xsd:complexType>
885   <xsd:complexType name="tag501Type" id="501Type">
886     <xsd:sequence>
887       <xsd:element name="_a" ncl:chiName="總集劃一題名" ncl:engName="Collective Uniform Title"/>
888       <xsd:element name="_e" minOccurs="0" ncl:chiName="總集劃一副題名" ncl:engName="Collective Uniform Subtitle"/>
889       <xsd:element name="_k" minOccurs="0" ncl:chiName="出版日期" ncl:engName="Date of Publication, etc."/>
890       <xsd:element name="_m" minOccurs="0" ncl:chiName="作品語文" ncl:engName="Language (when part of heading)"/>
891       <xsd:element name="_s" minOccurs="0" maxOccurs="unbounded" ncl:chiName="作品號 (適用於音樂資料)" ncl:engName="Numeric
Designation (for Music)"/>
892       <xsd:element name="_t" minOccurs="0" maxOccurs="unbounded" ncl:chiName="媒體 (適用於音樂資料)" ncl:engName="Medium of
Performance (for Music)"/>
893       <xsd:element name="_u" minOccurs="0" ncl:chiName="調性 (適用於音樂資料)" ncl:engName="Key (for Music)"/>
894       <xsd:element name="_w" minOccurs="0" ncl:chiName="編曲 (適用於音樂資料)" ncl:engName="Arranged Statement (for Music)"/>
895       <xsd:element name="_x" minOccurs="0" maxOccurs="unbounded" ncl:chiName="主題複分" ncl:engName="Topical Subdivision"/>
896       <xsd:element name="_y" minOccurs="0" maxOccurs="unbounded" ncl:chiName="地區複分" ncl:engName="Geographical Subdivision"/>
897       <xsd:element name="_z" minOccurs="0" maxOccurs="unbounded" ncl:chiName="時代複分" ncl:engName="Chronological Subdivision"/>
898       <xsd:element name="_2" minOccurs="0" ncl:chiName="標題系統代碼" ncl:engName="System Code"/>
899       <xsd:element name="_3" minOccurs="0" ncl:chiName="權威記錄號碼" ncl:engName="Authority Record Number"/>
900       <xsd:element name="_r" minOccurs="0" ncl:chiName="羅馬拼音" ncl:engName="Romanization of Uniform Title"/>
901     </xsd:sequence>
902     <xsd:attribute name="ind1" type="indicatorDataType" use="required"/>
903     <xsd:attribute name="ind2" use="required" fixed=""/>
904   </xsd:complexType>
905   <xsd:complexType name="tag503Type" id="503Type">
906     <xsd:sequence>
907       <xsd:element name="_a" ncl:chiName="正標目" ncl:engName="Form Heading Proper"/>
908       <xsd:element name="_b" minOccurs="0" ncl:chiName="副標目" ncl:engName="Form Subheading"/>
909       <xsd:element name="_d" type="xsd:gMonthDay" minOccurs="0" ncl:chiName="月日" ncl:engName="Month and Day"/>
910       <xsd:element name="_e" minOccurs="0" ncl:chiName="著者姓氏" ncl:engName="Surname of person"/>
911       <xsd:element name="_f" minOccurs="0" ncl:chiName="著者名字" ncl:engName="Forename"/>
912       <xsd:element name="_h" minOccurs="0" ncl:chiName="著者修飾詞" ncl:engName="Personal Name Qualifier"/>
913       <xsd:element name="_i" minOccurs="0" ncl:chiName="標目中之題名" ncl:engName="Title of Part"/>
914       <xsd:element name="_j" minOccurs="0" ncl:chiName="年代" ncl:engName="Year"/>
915       <xsd:element name="_k" type="xsd:integer" minOccurs="0" ncl:chiName="阿拉伯數字" ncl:engName="Numeration (Arabic)"/>
916       <xsd:element name="_l" minOccurs="0" ncl:chiName="羅馬數字" ncl:engName="Numeration (Roman)"/>
917       <xsd:element name="_m" minOccurs="0" ncl:chiName="機構所在地" ncl:engName="Locality"/>
918       <xsd:element name="_n" minOccurs="0" ncl:chiName="機構名稱" ncl:engName="Institution in Locality"/>
919       <xsd:element name="_p" minOccurs="0" ncl:chiName="卷數" ncl:engName="Chuan"/>
920       <xsd:element name="_v" minOccurs="0" ncl:chiName="冊次號" ncl:engName="Volume Designation"/>
921       <xsd:element name="_r" minOccurs="0" ncl:chiName="羅馬拼音" ncl:engName="Romanization of Uniform Title"/>
922     </xsd:sequence>
923     <xsd:attribute name="ind1" type="indicatorDataType" use="required"/>
924     <xsd:attribute name="ind2" use="required" fixed=""/>
925   </xsd:complexType>
926   <xsd:complexType name="tag510Type" id="510Type">
927     <xsd:sequence>
928       <xsd:element name="_a" ncl:chiName="並列題名" ncl:engName="Parallel Title"/>
929       <xsd:element name="_e" minOccurs="0" maxOccurs="unbounded" ncl:chiName="副題名" ncl:engName="Other Title Information"/>
930       <xsd:element name="_h" minOccurs="0" maxOccurs="unbounded" ncl:chiName="編次" ncl:engName="Number of Part"/>
931       <xsd:element name="_i" minOccurs="0" maxOccurs="unbounded" ncl:chiName="編次名稱" ncl:engName="Name of Part"/>
932       <xsd:element name="_j" minOccurs="0" ncl:chiName="卷號或日期" ncl:engName="Volume or Dates Associated with Title"/>
933       <xsd:element name="_n" minOccurs="0" ncl:chiName="其他" ncl:engName="Miscellaneous Information"/>
934       <xsd:element name="_p" minOccurs="0" ncl:chiName="卷數" ncl:engName="Chuan"/>
935       <xsd:element name="_z" minOccurs="0" ncl:chiName="語文代碼" ncl:engName="Language of Title"/>
936       <xsd:element name="_r" minOccurs="0" ncl:chiName="羅馬拼音" ncl:engName="Romanization of Parallel Title"/>
937     </xsd:sequence>
938     <xsd:attribute name="ind1" type="indicatorDataType" use="required"/>
939     <xsd:attribute name="ind2" use="required" fixed=""/>
940   </xsd:complexType>
941   <xsd:complexType name="tag512Type" id="512Type">
942     <xsd:sequence>
943       <xsd:element name="_a" ncl:chiName="封面題名" ncl:engName="Cover Title"/>
944       <xsd:element name="_e" minOccurs="0" maxOccurs="unbounded" ncl:chiName="副題名" ncl:engName="Other Title Information"/>
945       <xsd:element name="_h" minOccurs="0" maxOccurs="unbounded" ncl:chiName="編次" ncl:engName="Number of part"/>
946       <xsd:element name="_i" minOccurs="0" maxOccurs="unbounded" ncl:chiName="編次名稱" ncl:engName="Name of part"/>
947       <xsd:element name="_j" minOccurs="0" ncl:chiName="卷號或日期" ncl:engName="Volume or Dates Associated with Title"/>
948       <xsd:element name="_n" minOccurs="0" ncl:chiName="其他說明" ncl:engName="Miscellaneous Information"/>
949       <xsd:element name="_p" minOccurs="0" ncl:chiName="卷數" ncl:engName="Chuan"/>
950       <xsd:element name="_z" minOccurs="0" ncl:chiName="語文代碼" ncl:engName="Language or Title"/>
951       <xsd:element name="_r" minOccurs="0" ncl:chiName="羅馬拼音" ncl:engName="Romanization of Cover Title"/>
952     </xsd:sequence>
953     <xsd:attribute name="ind1" type="indicatorDataType" use="required"/>
954     <xsd:attribute name="ind2" type="indicatorDataType" use="required"/>
955   </xsd:complexType>

```

```

956 <xsd:complexType name="tag513Type" id="513Type">
957   <xsd:sequence>
958     <xsd:element name="_a" ncl:chiName="附加書名頁題名" ncl:engName="Added Title-page Title"/>
959     <xsd:element name="_e" minOccurs="0" maxOccurs="unbounded" ncl:chiName="副題名" ncl:engName="Other Title Information"/>
960     <xsd:element name="_h" minOccurs="0" maxOccurs="unbounded" ncl:chiName="編次" ncl:engName="Number of Part"/>
961     <xsd:element name="_j" minOccurs="0" maxOccurs="unbounded" ncl:chiName="編次名稱" ncl:engName="Name of Part"/>
962     <xsd:element name="_j" minOccurs="0" ncl:chiName="卷號或日期" ncl:engName="Volume or Dates Associated with Title"/>
963     <xsd:element name="_n" minOccurs="0" ncl:chiName="其他" ncl:engName="Miscellaneous Information"/>
964     <xsd:element name="_p" minOccurs="0" ncl:chiName="卷數" ncl:engName="Chuan"/>
965     <xsd:element name="_z" minOccurs="0" ncl:chiName="語文代碼" ncl:engName="Language of Title"/>
966     <xsd:element name="_r" minOccurs="0" ncl:chiName="羅馬拼音" ncl:engName="Romanization of Added Title-page Title"/>
967   </xsd:sequence>
968   <xsd:attribute name="ind1" type="indicatorDataType" use="required"/>
969   <xsd:attribute name="ind2" type="indicatorDataType" use="required"/>
970 </xsd:complexType>
971 <xsd:complexType name="tag514Type" id="514Type">
972   <xsd:sequence>
973     <xsd:element name="_a" ncl:chiName="卷端題名" ncl:engName="Caption Title"/>
974     <xsd:element name="_e" minOccurs="0" maxOccurs="unbounded" ncl:chiName="副題名" ncl:engName="Other Title Information"/>
975     <xsd:element name="_h" minOccurs="0" maxOccurs="unbounded" ncl:chiName="編次" ncl:engName="Number of Part"/>
976     <xsd:element name="_j" minOccurs="0" maxOccurs="unbounded" ncl:chiName="編次名稱" ncl:engName="Name of Part"/>
977     <xsd:element name="_j" minOccurs="0" ncl:chiName="卷號或日期" ncl:engName="Volume or Dates Associated with Title"/>
978     <xsd:element name="_n" minOccurs="0" ncl:chiName="其他" ncl:engName="Miscellaneous Information"/>
979     <xsd:element name="_p" minOccurs="0" ncl:chiName="卷數" ncl:engName="Chuan"/>
980     <xsd:element name="_z" minOccurs="0" ncl:chiName="語文代碼" ncl:engName="Language of Title"/>
981     <xsd:element name="_r" minOccurs="0" ncl:chiName="羅馬拼音" ncl:engName="Romanization of Caption Title"/>
982   </xsd:sequence>
983   <xsd:attribute name="ind1" type="indicatorDataType" use="required"/>
984   <xsd:attribute name="ind2" type="indicatorDataType" use="required"/>
985 </xsd:complexType>
986 <xsd:complexType name="tag515Type" id="515Type">
987   <xsd:sequence>
988     <xsd:element name="_a" ncl:chiName="逐頁題名" ncl:engName="Running Title"/>
989     <xsd:element name="_e" minOccurs="0" maxOccurs="unbounded" ncl:chiName="副題名" ncl:engName="Other Title Information"/>
990     <xsd:element name="_h" minOccurs="0" maxOccurs="unbounded" ncl:chiName="編次" ncl:engName="Number of Part"/>
991     <xsd:element name="_j" minOccurs="0" maxOccurs="unbounded" ncl:chiName="編次名稱" ncl:engName="Name of Part"/>
992     <xsd:element name="_j" minOccurs="0" ncl:chiName="卷號或日期" ncl:engName="Volume or Dates Associated with Title"/>
993     <xsd:element name="_n" minOccurs="0" ncl:chiName="其他" ncl:engName="Miscellaneous Information"/>
994     <xsd:element name="_p" minOccurs="0" ncl:chiName="卷數" ncl:engName="Chuan"/>
995     <xsd:element name="_z" minOccurs="0" ncl:chiName="語文代碼" ncl:engName="Language of Title"/>
996     <xsd:element name="_r" minOccurs="0" ncl:chiName="羅馬拼音" ncl:engName="Romanization of Running Title"/>
997   </xsd:sequence>
998   <xsd:attribute name="ind1" type="indicatorDataType" use="required"/>
999   <xsd:attribute name="ind2" type="indicatorDataType" use="required"/>
1000 </xsd:complexType>
1001 <xsd:complexType name="tag516Type" id="516Type">
1002   <xsd:sequence>
1003     <xsd:element name="_a" ncl:chiName="書背題名" ncl:engName="Spine Title"/>
1004     <xsd:element name="_e" minOccurs="0" maxOccurs="unbounded" ncl:chiName="副題名" ncl:engName="Other Title Information"/>
1005     <xsd:element name="_h" minOccurs="0" maxOccurs="unbounded" ncl:chiName="編次" ncl:engName="Number of Part"/>
1006     <xsd:element name="_j" minOccurs="0" maxOccurs="unbounded" ncl:chiName="編次名稱" ncl:engName="Name of Part"/>
1007     <xsd:element name="_j" minOccurs="0" ncl:chiName="卷號或日期" ncl:engName="Volume or Dates Associated with Title"/>
1008     <xsd:element name="_n" minOccurs="0" ncl:chiName="其他" ncl:engName="Miscellaneous Information"/>
1009     <xsd:element name="_p" minOccurs="0" ncl:chiName="卷數" ncl:engName="Chuan"/>
1010     <xsd:element name="_z" minOccurs="0" ncl:chiName="語文代碼" ncl:engName="Language of Title"/>
1011     <xsd:element name="_r" minOccurs="0" ncl:chiName="羅馬拼音" ncl:engName="Romanization of Spine Title"/>
1012   </xsd:sequence>
1013   <xsd:attribute name="ind1" type="indicatorDataType" use="required"/>
1014   <xsd:attribute name="ind2" type="indicatorDataType" use="required"/>
1015 </xsd:complexType>
1016 <xsd:complexType name="tag517Type" id="517Type">
1017   <xsd:sequence>
1018     <xsd:element name="_a" ncl:chiName="其他題名" ncl:engName="Variant Title"/>
1019     <xsd:element name="_e" minOccurs="0" maxOccurs="unbounded" ncl:chiName="副題名" ncl:engName="Other Title Information"/>
1020     <xsd:element name="_h" minOccurs="0" maxOccurs="unbounded" ncl:chiName="編次" ncl:engName="Number of Part"/>
1021     <xsd:element name="_j" minOccurs="0" maxOccurs="unbounded" ncl:chiName="編次名稱" ncl:engName="Name of Part"/>
1022     <xsd:element name="_j" minOccurs="0" ncl:chiName="卷號或日期" ncl:engName="Volume or Dates Associated with Title"/>
1023     <xsd:element name="_n" minOccurs="0" ncl:chiName="其他" ncl:engName="Miscellaneous Information"/>
1024     <xsd:element name="_p" minOccurs="0" ncl:chiName="卷數" ncl:engName="Chuan"/>
1025     <xsd:element name="_z" minOccurs="0" ncl:chiName="語文代碼" ncl:engName="Language of Title"/>
1026     <xsd:element name="_r" minOccurs="0" ncl:chiName="羅馬拼音" ncl:engName="Romanization of Other Variant Titles"/>
1027   </xsd:sequence>
1028   <xsd:attribute name="ind1" type="indicatorDataType" use="required"/>
1029   <xsd:attribute name="ind2" use="required" fixed="" />
1030 </xsd:complexType>
1031 <xsd:complexType name="tag520Type" id="520Type">
1032   <xsd:sequence>

```



```

1033 <xsd:element name="a" ncl:chiName="舊題名" ncl:engName="Former Title Proper"/>
1034 <xsd:element name="e" minOccurs="0" maxOccurs="unbounded" ncl:chiName="副題名" ncl:engName="Other Title Information"/>
1035 <xsd:element name="h" minOccurs="0" maxOccurs="unbounded" ncl:chiName="編次" ncl:engName="Number of Part"/>
1036 <xsd:element name="j" minOccurs="0" maxOccurs="unbounded" ncl:chiName="編次名稱" ncl:engName="Name of Part"/>
1037 <xsd:element name="j" minOccurs="0" ncl:chiName="卷號或日期" ncl:engName="Volumes or Dates of Former Title"/>
1038 <xsd:element name="n" minOccurs="0" ncl:chiName="其他" ncl:engName="Miscellaneous Information"/>
1039 <xsd:element name="x" minOccurs="0" ncl:chiName="舊題名之ISSN" ncl:engName="ISSN of Former Title"/>
1040 <xsd:element name="z" minOccurs="0" ncl:chiName="語文代碼" ncl:engName="Language of Title"/>
1041 <xsd:element name="r" minOccurs="0" ncl:chiName="羅馬拼音" ncl:engName="Romanization of Former Titles"/>
1042 </xsd:sequence>
1043 <xsd:attribute name="ind1" type="indicatorDataType" use="required"/>
1044 <xsd:attribute name="ind2" type="indicatorDataType" use="required"/>
1045 </xsd:complexType>
1046 <xsd:complexType name="tag530Type" id="530Type">
1047 <xsd:sequence>
1048 <xsd:element name="a" ncl:chiName="識別題名" ncl:engName="Key Title"/>
1049 <xsd:element name="b" minOccurs="0" ncl:chiName="區別字樣" ncl:engName="Qualifier"/>
1050 <xsd:element name="j" minOccurs="0" ncl:chiName="卷號或日期" ncl:engName="Volume or Dates Associated with Key Title"/>
1051 </xsd:sequence>
1052 <xsd:attribute name="ind1" type="indicatorDataType" use="required"/>
1053 <xsd:attribute name="ind2" use="required" fixed=""/>
1054 </xsd:complexType>
1055 <xsd:complexType name="tag531Type" id="531Type">
1056 <xsd:sequence>
1057 <xsd:element name="a" ncl:chiName="簡略題名" ncl:engName="Abbreviated Title"/>
1058 <xsd:element name="b" minOccurs="0" ncl:chiName="區別字樣" ncl:engName="Qualifier"/>
1059 </xsd:sequence>
1060 <xsd:attribute name="ind1" type="indicatorDataType" use="required"/>
1061 <xsd:attribute name="ind2" use="required" fixed=""/>
1062 </xsd:complexType>
1063 <xsd:complexType name="tag532Type" id="532Type">
1064 <xsd:sequence>
1065 <xsd:element name="a" ncl:chiName="完整題名" ncl:engName="Expanded Title"/>
1066 <xsd:element name="z" minOccurs="0" ncl:chiName="語文代碼" ncl:engName="Language of Title"/>
1067 <xsd:element name="r" minOccurs="0" ncl:chiName="羅馬拼音" ncl:engName="Romanization of Expanded Titles"/>
1068 </xsd:sequence>
1069 <xsd:attribute name="ind1" type="indicatorDataType" use="required"/>
1070 <xsd:attribute name="ind2" use="required" fixed=""/>
1071 </xsd:complexType>
1072 <xsd:complexType name="tag540Type" id="540Type">
1073 <xsd:sequence>
1074 <xsd:element name="a" ncl:chiName="編目員附加題名" ncl:engName="Additional Title"/>
1075 <xsd:element name="z" minOccurs="0" ncl:chiName="語文代碼" ncl:engName="Language of Title"/>
1076 <xsd:element name="r" minOccurs="0" ncl:chiName="羅馬拼音" ncl:engName="Romanization of Additional Title Supplied by Cataloguer"/>
1077 </xsd:sequence>
1078 <xsd:attribute name="ind1" type="indicatorDataType" use="required"/>
1079 <xsd:attribute name="ind2" type="indicatorDataType" use="required"/>
1080 </xsd:complexType>
1081 <xsd:complexType name="tag541Type" id="541Type">
1082 <xsd:sequence>
1083 <xsd:element name="a" ncl:chiName="編目員翻譯題名" ncl:engName="Translated Title"/>
1084 <xsd:element name="e" minOccurs="0" maxOccurs="unbounded" ncl:chiName="副題名" ncl:engName="Other Title Information"/>
1085 <xsd:element name="h" minOccurs="0" maxOccurs="unbounded" ncl:chiName="編次" ncl:engName="Number of a Part"/>
1086 <xsd:element name="j" minOccurs="0" maxOccurs="unbounded" ncl:chiName="編次名稱" ncl:engName="Name of Part"/>
1087 <xsd:element name="j" minOccurs="0" ncl:chiName="卷號或日期" ncl:engName="Volumes or Dates of Translated Title"/>
1088 <xsd:element name="n" minOccurs="0" ncl:chiName="其他" ncl:engName="Miscellaneous Information"/>
1089 <xsd:element name="p" minOccurs="0" ncl:chiName="卷數" ncl:engName="Chuan"/>
1090 <xsd:element name="z" minOccurs="0" ncl:chiName="語文代碼" ncl:engName="Language of Title"/>
1091 <xsd:element name="r" minOccurs="0" ncl:chiName="羅馬拼音" ncl:engName="Romanization of Translated Title"/>
1092 </xsd:sequence>
1093 <xsd:attribute name="ind1" type="indicatorDataType" use="required"/>
1094 <xsd:attribute name="ind2" use="required" fixed=""/>
1095 </xsd:complexType>
1096 <!--
1097 6XX 主題分析段 欄位內容宣告
1098 -->
1099 <xsd:complexType name="tag600Type" id="600Type">
1100 <xsd:sequence>
1101 <xsd:element name="a" ncl:chiName="標目主體" ncl:engName="Entry Element"/>
1102 <xsd:element name="b" minOccurs="0" ncl:chiName="副標目" ncl:engName="Part of Name Other than Entry Element"/>
1103 <xsd:element name="c" minOccurs="0" ncl:chiName="年代以外之修飾語" ncl:engName="Additions to Name Other than Dates"/>
1104 <xsd:element name="d" minOccurs="0" ncl:chiName="世代數" ncl:engName="Roman Numerals"/>
1105 <xsd:element name="f" minOccurs="0" maxOccurs="unbounded" ncl:chiName="生卒年代" ncl:engName="Dates"/>
1106 <xsd:element name="g" minOccurs="0" maxOccurs="unbounded" ncl:chiName="副標目頭字語全名" ncl:engName="Expansion of Initials of
Forename"/>
1107 <xsd:element name="s" minOccurs="0" ncl:chiName="朝代" ncl:engName="Dynasty"/>
1108 <xsd:element name="x" minOccurs="0" maxOccurs="unbounded" ncl:chiName="主題複分" ncl:engName="Topical Subdivision"/>

```

```

1109 <xsd:element name="y" minOccurs="0" maxOccurs="unbounded" ncl:chiName="地區複分" ncl:engName="Geographical Subdivision"/>
1110 <xsd:element name="z" minOccurs="0" maxOccurs="unbounded" ncl:chiName="時代複分" ncl:engName="Chronological Subdivision"/>
1111 <xsd:element name="2" ncl:chiName="標題系統代碼" ncl:engName="System Code"/>
1112 <xsd:element name="3" minOccurs="0" ncl:chiName="權威記錄號碼" ncl:engName="Authority Record Number"/>
1113 </xsd:sequence>
1114 <xsd:attribute name="ind1" use="required" fixed=""/>
1115 <xsd:attribute name="ind2" type="indicatorDataType" use="required"/>
1116 </xsd:complexType>
1117 <xsd:complexType name="tag601Type" id="601Type">
1118 <xsd:sequence>
1119 <xsd:element name="a" ncl:chiName="標目主體" ncl:engName="Entry Element"/>
1120 <xsd:element name="b" minOccurs="0" maxOccurs="unbounded" ncl:chiName="副標目" ncl:engName="Subdivision (or name if entered under
place)"/>
1121 <xsd:element name="c" minOccurs="0" maxOccurs="unbounded" ncl:chiName="修飾語" ncl:engName="Addition to Name or Qualifier"/>
1122 <xsd:element name="d" minOccurs="0" ncl:chiName="會議屆次" ncl:engName="Number of Meeting and/or Number of Part of a Meeting"/>
1123 <xsd:element name="e" minOccurs="0" ncl:chiName="會議地點" ncl:engName="Location of Meeting"/>
1124 <xsd:element name="f" minOccurs="0" ncl:chiName="會議日期" ncl:engName="Date of Meeting"/>
1125 <xsd:element name="g" minOccurs="0" ncl:chiName="倒置部份" ncl:engName="Inverted Element"/>
1126 <xsd:element name="h" minOccurs="0" maxOccurs="unbounded" ncl:chiName="其他部份名稱" ncl:engName="Part of Name Other than Entry
Element and Inverted Element"/>
1127 <xsd:element name="s" minOccurs="0" ncl:chiName="朝代" ncl:engName="Dynasty"/>
1128 <xsd:element name="x" minOccurs="0" maxOccurs="unbounded" ncl:chiName="主題複分" ncl:engName="Topical Subdivision"/>
1129 <xsd:element name="y" minOccurs="0" maxOccurs="unbounded" ncl:chiName="地區複分" ncl:engName="Geographical Subdivision"/>
1130 <xsd:element name="z" minOccurs="0" maxOccurs="unbounded" ncl:chiName="時代複分" ncl:engName="Chronological Subdivision"/>
1131 <xsd:element name="2" ncl:chiName="標題系統代碼" ncl:engName="System Code"/>
1132 <xsd:element name="3" minOccurs="0" ncl:chiName="權威記錄號碼" ncl:engName="Authority Record Number"/>
1133 </xsd:sequence>
1134 <xsd:attribute name="ind1" type="indicatorDataType" use="required"/>
1135 <xsd:attribute name="ind2" type="indicatorDataType" use="required"/>
1136 </xsd:complexType>
1137 <xsd:complexType name="tag602Type" id="602Type">
1138 <xsd:sequence>
1139 <xsd:element name="a" ncl:chiName="標目主體" ncl:engName="Entry Element"/>
1140 <xsd:element name="f" minOccurs="0" ncl:chiName="家族年代" ncl:engName="Dates"/>
1141 <xsd:element name="j" minOccurs="0" maxOccurs="unbounded" ncl:chiName="主題複分" ncl:engName="Topical Subdivision"/>
1142 <xsd:element name="y" minOccurs="0" maxOccurs="unbounded" ncl:chiName="地區複分" ncl:engName="Geographical Subdivision"/>
1143 <xsd:element name="z" minOccurs="0" maxOccurs="unbounded" ncl:chiName="時代複分" ncl:engName="Chronological Subdivision"/>
1144 <xsd:element name="2" ncl:chiName="標題系統代碼" ncl:engName="System Code"/>
1145 <xsd:element name="3" minOccurs="0" ncl:chiName="權威記錄號碼" ncl:engName="Authority Record Number"/>
1146 </xsd:sequence>
1147 <xsd:attribute name="ind1" use="required" fixed=""/>
1148 <xsd:attribute name="ind2" use="required" fixed=""/>
1149 </xsd:complexType>
1150 <xsd:complexType name="tag604Type" id="604Type">
1151 <xsd:sequence>
1152 <xsd:element name="1" maxOccurs="unbounded" ncl:chiName="相關之資料欄位" ncl:engName="Linking Data"/>
1153 </xsd:sequence>
1154 <xsd:attribute name="ind1" use="required" fixed=""/>
1155 <xsd:attribute name="ind2" use="required" fixed=""/>
1156 </xsd:complexType>
1157 <xsd:complexType name="tag605Type" id="605Type">
1158 <xsd:sequence>
1159 <xsd:element name="a" ncl:chiName="標目主體" ncl:engName="Entry Element"/>
1160 <xsd:element name="h" minOccurs="0" maxOccurs="unbounded" ncl:chiName="編次" ncl:engName="Number of Section or Part"/>
1161 <xsd:element name="j" minOccurs="0" maxOccurs="unbounded" ncl:chiName="編次名稱" ncl:engName="Name of Section or Part"/>
1162 <xsd:element name="k" minOccurs="0" ncl:chiName="出版日期" ncl:engName="Date of Publication"/>
1163 <xsd:element name="l" minOccurs="0" maxOccurs="unbounded" ncl:chiName="形式副標目" ncl:engName="Form Subheading"/>
1164 <xsd:element name="m" minOccurs="0" maxOccurs="unbounded" ncl:chiName="作品語文" ncl:engName="Language (when part of heading)"/>
1165 <xsd:element name="q" minOccurs="0" ncl:chiName="譯本/版本" ncl:engName="Version (or date of version)"/>
1166 <xsd:element name="n" minOccurs="0" maxOccurs="unbounded" ncl:chiName="其他" ncl:engName="Miscellaneous Information"/>
1167 <xsd:element name="x" minOccurs="0" maxOccurs="unbounded" ncl:chiName="主題複分" ncl:engName="Topical Subdivision"/>
1168 <xsd:element name="y" minOccurs="0" maxOccurs="unbounded" ncl:chiName="地區複分" ncl:engName="Geographical Subdivision"/>
1169 <xsd:element name="z" minOccurs="0" maxOccurs="unbounded" ncl:chiName="時代複分" ncl:engName="Chronological Subdivision"/>
1170 <xsd:element name="2" ncl:chiName="標題系統代碼" ncl:engName="System Code"/>
1171 <xsd:element name="3" minOccurs="0" ncl:chiName="權威記錄號碼" ncl:engName="Authority Record Number"/>
1172 </xsd:sequence>
1173 <xsd:attribute name="ind1" use="required" fixed=""/>
1174 <xsd:attribute name="ind2" use="required" fixed=""/>
1175 </xsd:complexType>
1176 <xsd:complexType name="tag606Type" id="606Type">
1177 <xsd:sequence>
1178 <xsd:element name="a" ncl:chiName="標目主體" ncl:engName="Entry Element"/>
1179 <xsd:element name="x" minOccurs="0" maxOccurs="unbounded" ncl:chiName="主題複分" ncl:engName="Topical Subdivision"/>
1180 <xsd:element name="y" minOccurs="0" maxOccurs="unbounded" ncl:chiName="地區複分" ncl:engName="Geographical Subdivision"/>
1181 <xsd:element name="z" minOccurs="0" maxOccurs="unbounded" ncl:chiName="時代複分" ncl:engName="Chronological Subdivision"/>
1182 <xsd:element name="2" ncl:chiName="標題系統代碼" ncl:engName="System Code"/>

```

```

1183     <xsd:element name="_3" minOccurs="0" ncl:chiName="權威記錄號碼" ncl:engName="Authority Record Number"/>
1184   </xsd:sequence>
1185   <xsd:attribute name="ind1" use="required" fixed=" "/>
1186   <xsd:attribute name="ind2" use="required" fixed=" "/>
1187 </xsd:complexType>
1188 <xsd:complexType name="tag608Type" id="608Type">
1189   <xsd:sequence>
1190     <xsd:element name="_a" ncl:chiName="檢索名稱" ncl:engName="Access Terms"/>
1191     <xsd:element name="_x" minOccurs="0" maxOccurs="unbounded" ncl:chiName="檢索名稱複分" ncl:engName="General Subdivision"/>
1192     <xsd:element name="_3" minOccurs="0" ncl:chiName="權威記錄號碼" ncl:engName="Authority Record Number"/>
1193   </xsd:sequence>
1194   <xsd:attribute name="ind1" type="indicatorDataType" use="required"/>
1195   <xsd:attribute name="ind2" type="indicatorDataType" use="required"/>
1196 </xsd:complexType>
1197 <xsd:complexType name="tag610Type" id="610Type">
1198   <xsd:sequence>
1199     <xsd:element name="_a" maxOccurs="unbounded" ncl:chiName="標目主體" ncl:engName="Subject Term"/>
1200   </xsd:sequence>
1201   <xsd:attribute name="ind1" use="required" fixed=" "/>
1202   <xsd:attribute name="ind2" type="indicatorDataType" use="required"/>
1203 </xsd:complexType>
1204 <xsd:complexType name="tag620Type" id="620Type">
1205   <xsd:sequence>
1206     <xsd:element name="_a" minOccurs="0" ncl:chiName="國名" ncl:engName="Country"/>
1207     <xsd:element name="_b" minOccurs="0" ncl:chiName="州(省)名" ncl:engName="State or Province etc."/>
1208     <xsd:element name="_c" minOccurs="0" ncl:chiName="郡(縣)名" ncl:engName="County"/>
1209     <xsd:element name="_d" minOccurs="0" ncl:chiName="市名" ncl:engName="City"/>
1210   </xsd:sequence>
1211   <xsd:attribute name="ind1" type="indicatorDataType" use="required"/>
1212   <xsd:attribute name="ind2" use="required" fixed=" "/>
1213 </xsd:complexType>
1214 <xsd:complexType name="tag626Type" id="626Type">
1215   <xsd:sequence>
1216     <xsd:element name="_a" minOccurs="0" ncl:chiName="電腦機型" ncl:engName="Make and Model of Machines"/>
1217     <xsd:element name="_b" minOccurs="0" ncl:chiName="程式語言" ncl:engName="Make and Model of Machines"/>
1218     <xsd:element name="_c" minOccurs="0" ncl:chiName="操作系統名稱" ncl:engName="Operating System"/>
1219   </xsd:sequence>
1220   <xsd:attribute name="ind1" use="required" fixed=" "/>
1221   <xsd:attribute name="ind2" use="required" fixed=" "/>
1222 </xsd:complexType>
1223 <xsd:complexType name="tag660Type" id="660Type">
1224   <xsd:sequence>
1225     <xsd:element name="_a" ncl:chiName="代碼" ncl:engName="Code"/>
1226   </xsd:sequence>
1227   <xsd:attribute name="ind1" use="required" fixed=" "/>
1228   <xsd:attribute name="ind2" use="required" fixed=" "/>
1229 </xsd:complexType>
1230 <xsd:complexType name="tag661Type" id="661Type">
1231   <xsd:sequence>
1232     <xsd:element name="_a" ncl:chiName="代碼" ncl:engName="Time Period Code"/>
1233   </xsd:sequence>
1234   <xsd:attribute name="ind1" use="required" fixed=" "/>
1235   <xsd:attribute name="ind2" use="required" fixed=" "/>
1236 </xsd:complexType>
1237 <xsd:complexType name="tag670Type" id="670Type">
1238   <xsd:sequence>
1239     <xsd:element name="_a" minOccurs="0" ncl:chiName="主題代號" ncl:engName="Subject Indicator Number"/>
1240     <xsd:element name="_c" minOccurs="0" ncl:chiName="字串" ncl:engName="String"/>
1241     <xsd:element name="_e" minOccurs="0" maxOccurs="unbounded" ncl:chiName="主題參照代號" ncl:engName="Reference Indicator Number"/>
1242     <xsd:element name="_z" minOccurs="0" ncl:chiName="主題語文代碼" ncl:engName="Language of Terms"/>
1243   </xsd:sequence>
1244   <xsd:attribute name="ind1" use="required" fixed=" "/>
1245   <xsd:attribute name="ind2" use="required" fixed=" "/>
1246 </xsd:complexType>
1247 <xsd:complexType name="tag675Type" id="675Type">
1248   <xsd:sequence>
1249     <xsd:element name="_a" ncl:chiName="分類號" ncl:engName="Number"/>
1250     <xsd:element name="_v" minOccurs="0" ncl:chiName="版本" ncl:engName="Edition"/>
1251     <xsd:element name="_z" minOccurs="0" ncl:chiName="版本語文" ncl:engName="Language of Edition"/>
1252   </xsd:sequence>
1253   <xsd:attribute name="ind1" use="required" fixed=" "/>
1254   <xsd:attribute name="ind2" use="required" fixed=" "/>
1255 </xsd:complexType>
1256 <xsd:complexType name="tag676Type" id="676Type">
1257   <xsd:sequence>
1258     <xsd:element name="_a" ncl:chiName="分類號" ncl:engName="Class Number"/>
1259     <xsd:element name="_v" minOccurs="0" ncl:chiName="版本" ncl:engName="Edition"/>

```

```

1260     </xsd:sequence>
1261     <xsd:attribute name="ind1" use="required" fixed="" />
1262     <xsd:attribute name="ind2" use="required" fixed="" />
1263 </xsd:complexType>
1264 <xsd:complexType name="tag680Type" id="680Type">
1265   <xsd:sequence>
1266     <xsd:element name="_a" ncl:chiName="分類號" ncl:engName="Class Number"/>
1267     <xsd:element name="_b" minOccurs="0" ncl:chiName="書號" ncl:engName="Book Number"/>
1268   </xsd:sequence>
1269   <xsd:attribute name="ind1" use="required" fixed="" />
1270   <xsd:attribute name="ind2" use="required" fixed="" />
1271 </xsd:complexType>
1272 <xsd:complexType name="tag681Type" id="681Type">
1273   <xsd:sequence>
1274     <xsd:element name="_a" ncl:chiName="分類號" ncl:engName="Class Number"/>
1275     <xsd:element name="_b" minOccurs="0" ncl:chiName="書號" ncl:engName="Book Number"/>
1276     <xsd:element name="_v" minOccurs="0" ncl:chiName="版本" ncl:engName="Edition"/>
1277   </xsd:sequence>
1278   <xsd:attribute name="ind1" use="required" fixed="" />
1279   <xsd:attribute name="ind2" use="required" fixed="" />
1280 </xsd:complexType>
1281 <xsd:complexType name="tag687Type" id="687Type">
1282   <xsd:sequence>
1283     <xsd:element name="_a" maxOccurs="unbounded" ncl:chiName="分類號" ncl:engName="Class Number"/>
1284     <xsd:element name="_b" minOccurs="0" maxOccurs="unbounded" ncl:chiName="書號" ncl:engName="Book Number"/>
1285     <xsd:element name="_c" minOccurs="0" maxOccurs="unbounded" ncl:chiName="複分" ncl:engName="Classification Subdivision"/>
1286     <xsd:element name="_d" minOccurs="0" ncl:chiName="分類系統代碼" ncl:engName="System Code"/>
1287   </xsd:sequence>
1288   <xsd:attribute name="ind1" use="required" fixed="" />
1289   <xsd:attribute name="ind2" use="required" fixed="" />
1290 </xsd:complexType>
1291 <!--
1292     7XX 著者段 欄位內容宣告
1293 -->
1294 <!-- 1. 個人作者 -->
1295 <xsd:complexType name="tag700Type" id="700Type">
1296   <xsd:sequence>
1297     <xsd:element name="_a" maxOccurs="unbounded" ncl:chiName="標目主體" ncl:engName="Entry Element"/>
1298     <xsd:element name="_b" minOccurs="0" ncl:chiName="副標目" ncl:engName="Part of Name Other than Element"/>
1299     <xsd:element name="_c" minOccurs="0" maxOccurs="unbounded" ncl:chiName="年代以外之修飾語" ncl:engName="Additions to Names Other
1300 than Dates"/>
1301     <xsd:element name="_d" minOccurs="0" ncl:chiName="世代數" ncl:engName="Roman Numerals"/>
1302     <xsd:element name="_f" minOccurs="0" ncl:chiName="生卒年代" ncl:engName="Dates"/>
1303     <xsd:element name="_g" minOccurs="0" maxOccurs="unbounded" ncl:chiName="副標目頭字語全名" ncl:engName="Expansion of Initials of
1304 Forename"/>
1305     <xsd:element name="_s" minOccurs="0" ncl:chiName="朝代" ncl:engName="Dynasty"/>
1306     <xsd:element name="_3" minOccurs="0" ncl:chiName="權威記錄號碼" ncl:engName="Authority Record Number"/>
1307     <xsd:element name="_4" minOccurs="0" maxOccurs="unbounded" ncl:chiName="著作方式" ncl:engName="Designation of Function"/>
1308   </xsd:sequence>
1309   <xsd:attribute name="ind1" use="required" fixed="" />
1310   <xsd:attribute name="ind2" type="indicatorDataType" use="required"/>
1311 </xsd:complexType>
1312 <xsd:complexType name="tag770Type" id="770Type">
1313   <xsd:sequence>
1314     <xsd:element name="_a" maxOccurs="unbounded" ncl:chiName="標目主體" ncl:engName="Entry Element"/>
1315     <xsd:element name="_b" minOccurs="0" ncl:chiName="副標目" ncl:engName="Part of Name Other than Entry"/>
1316     <xsd:element name="_c" minOccurs="0" maxOccurs="unbounded" ncl:chiName="年代以外之修飾語" ncl:engName="Additions to Name Other
1317 than Dates"/>
1318     <xsd:element name="_d" minOccurs="0" ncl:chiName="世代數" ncl:engName="Roman Numerals"/>
1319     <xsd:element name="_f" minOccurs="0" ncl:chiName="生卒年代" ncl:engName="Dates"/>
1320     <xsd:element name="_g" minOccurs="0" ncl:chiName="副標目頭字語全名" ncl:engName="Expansion of Initials of Forename"/>
1321     <xsd:element name="_3" minOccurs="0" ncl:chiName="權威記錄號碼" ncl:engName="Authority Record Number"/>
1322     <xsd:element name="_4" minOccurs="0" maxOccurs="unbounded" ncl:chiName="著作方式" ncl:engName="Designation of Function"/>
1323   </xsd:sequence>
1324   <xsd:attribute name="ind1" use="required" fixed="" />
1325   <xsd:attribute name="ind2" type="indicatorDataType" use="required"/>
1326 </xsd:complexType>
1327 <xsd:complexType name="tag702Type" id="702Type">
1328   <xsd:sequence>
1329     <xsd:element name="_a" ncl:chiName="標目主體" ncl:engName="Entry Element"/>
1330     <xsd:element name="_b" minOccurs="0" ncl:chiName="副標目" ncl:engName="Part of Name Other than Element"/>
1331     <xsd:element name="_c" minOccurs="0" maxOccurs="unbounded" ncl:chiName="年代以外之修飾語" ncl:engName="Additions to Names Other
1332 than Dates"/>
1333     <xsd:element name="_d" minOccurs="0" ncl:chiName="世代數" ncl:engName="Roman Numerals"/>
1334     <xsd:element name="_f" minOccurs="0" ncl:chiName="生卒年代" ncl:engName="Dates"/>
1335     <xsd:element name="_g" minOccurs="0" ncl:chiName="副標目頭字語全名" ncl:engName="Expansion of Initials of Forename"/>
1336     <xsd:element name="_s" minOccurs="0" ncl:chiName="朝代" ncl:engName="Dynasty"/>

```

```

1333     <xsd:element name="_t" minOccurs="0" ncl:chiName="題名" ncl:engName="Title"/>
1334     <xsd:element name="_3" minOccurs="0" ncl:chiName="權威記錄號碼" ncl:engName="Authority Record Number"/>
1335     <xsd:element name="_4" minOccurs="0" maxOccurs="unbounded" ncl:chiName="著作方式" ncl:engName="Designation of Function"/>
1336     </xsd:sequence>
1337     <xsd:attribute name="ind1" use="required" fixed="" />
1338     <xsd:attribute name="ind2" type="indicatorDataType" use="required"/>
1339 </xsd:complexType>
1340 <!-- 2. 圖體作者 -->
1341 <xsd:complexType name="tag710Type" id="710Type">
1342     <xsd:sequence>
1343         <xsd:element name="_a" ncl:chiName="標目主體" ncl:engName="Entry Element"/>
1344         <xsd:element name="_b" minOccurs="0" maxOccurs="unbounded" ncl:chiName="副標目" ncl:engName="Subdivision"/>
1345         <xsd:element name="_c" minOccurs="0" maxOccurs="unbounded" ncl:chiName="修飾語" ncl:engName="Addition to Name or Qualifier"/>
1346         <xsd:element name="_d" minOccurs="0" ncl:chiName="會議屆次" ncl:engName="Number of Meeting and/or Number of Part of Meeting"/>
1347         <xsd:element name="_e" minOccurs="0" ncl:chiName="會議地點" ncl:engName="Location of Meeting"/>
1348         <xsd:element name="_f" minOccurs="0" ncl:chiName="會議日期" ncl:engName="Date of Meeting"/>
1349         <xsd:element name="_g" minOccurs="0" ncl:chiName="倒置部份" ncl:engName="Inverted Element"/>
1350         <xsd:element name="_h" minOccurs="0" maxOccurs="unbounded" ncl:chiName="其他部份名稱" ncl:engName="Part of Name Other than Entry
Element and Inverted Element"/>
1351         <xsd:element name="_s" minOccurs="0" ncl:chiName="朝代" ncl:engName="Dynasty"/>
1352         <xsd:element name="_3" minOccurs="0" ncl:chiName="權威記錄號碼" ncl:engName="Authority Record Number"/>
1353         <xsd:element name="_4" minOccurs="0" maxOccurs="unbounded" ncl:chiName="著作方式" ncl:engName="Designation of Function"/>
1354     </xsd:sequence>
1355     <xsd:attribute name="ind1" type="indicatorDataType" use="required"/>
1356     <xsd:attribute name="ind2" type="indicatorDataType" use="required"/>
1357 </xsd:complexType>
1358 <xsd:complexType name="tag780Type" id="780Type">
1359     <xsd:sequence>
1360         <xsd:element name="_a" ncl:chiName="標目主體" ncl:engName="Entry Element"/>
1361         <xsd:element name="_b" minOccurs="0" maxOccurs="unbounded" ncl:chiName="副標目" ncl:engName="Subdivision ( or name if entered under
place )"/>
1362         <xsd:element name="_c" minOccurs="0" maxOccurs="unbounded" ncl:chiName="修飾語" ncl:engName="Addition to Name or Qualifier"/>
1363         <xsd:element name="_d" minOccurs="0" ncl:chiName="會議屆次" ncl:engName="Number of Meeting"/>
1364         <xsd:element name="_e" minOccurs="0" ncl:chiName="會議地點" ncl:engName="Location of Meeting"/>
1365         <xsd:element name="_f" minOccurs="0" ncl:chiName="會議日期" ncl:engName="Date of Meeting"/>
1366         <xsd:element name="_g" minOccurs="0" ncl:chiName="倒置部份" ncl:engName="Inverted Element"/>
1367         <xsd:element name="_h" minOccurs="0" maxOccurs="unbounded" ncl:chiName="其他部份名稱" ncl:engName="Part of Name Other than Entry
Element and Inverted Element"/>
1368         <xsd:element name="_3" minOccurs="0" ncl:chiName="權威記錄號碼" ncl:engName="Authority Record Number"/>
1369         <xsd:element name="_4" minOccurs="0" maxOccurs="unbounded" ncl:chiName="著作方式" ncl:engName="Designation of Function"/>
1370     </xsd:sequence>
1371     <xsd:attribute name="ind1" type="indicatorDataType" use="required"/>
1372     <xsd:attribute name="ind2" type="indicatorDataType" use="required"/>
1373 </xsd:complexType>
1374 <xsd:complexType name="tag712Type" id="712Type">
1375     <xsd:sequence>
1376         <xsd:element name="_a" ncl:chiName="標目主體" ncl:engName="Entry Element"/>
1377         <xsd:element name="_b" minOccurs="0" maxOccurs="unbounded" ncl:chiName="副標目" ncl:engName="Subdivision"/>
1378         <xsd:element name="_c" minOccurs="0" maxOccurs="unbounded" ncl:chiName="修飾語" ncl:engName="Addition to Name or Qualifier"/>
1379         <xsd:element name="_d" minOccurs="0" ncl:chiName="會議屆次" ncl:engName="Number of Meeting and/or Number of Part of Meeting"/>
1380         <xsd:element name="_e" minOccurs="0" ncl:chiName="會議地點" ncl:engName="Location of Meeting"/>
1381         <xsd:element name="_f" minOccurs="0" ncl:chiName="會議日期" ncl:engName="Date of Meeting"/>
1382         <xsd:element name="_g" minOccurs="0" ncl:chiName="倒置部份" ncl:engName="Inverted Element"/>
1383         <xsd:element name="_h" minOccurs="0" maxOccurs="unbounded" ncl:chiName="其他部份名稱" ncl:engName="Part of Name Other than Entry
Element and Inverted Element"/>
1384         <xsd:element name="_s" minOccurs="0" ncl:chiName="朝代" ncl:engName="Dynasty"/>
1385         <xsd:element name="_t" minOccurs="0" ncl:chiName="題名" ncl:engName="Title"/>
1386         <xsd:element name="_3" minOccurs="0" ncl:chiName="權威記錄號碼" ncl:engName="Authority Record Number"/>
1387         <xsd:element name="_4" minOccurs="0" maxOccurs="unbounded" ncl:chiName="著作方式" ncl:engName="Designation of Function"/>
1388     </xsd:sequence>
1389     <xsd:attribute name="ind1" type="indicatorDataType" use="required"/>
1390     <xsd:attribute name="ind2" type="indicatorDataType" use="required"/>
1391 </xsd:complexType>
1392 <!-- 3. 家族作者 -->
1393 <xsd:complexType name="tag720Type" id="720Type">
1394     <xsd:sequence>
1395         <xsd:element name="_a" ncl:chiName="標目主體" ncl:engName="Entry Element"/>
1396         <xsd:element name="_f" minOccurs="0" ncl:chiName="家族年代" ncl:engName="Dates"/>
1397         <xsd:element name="_3" minOccurs="0" ncl:chiName="權威記錄號碼" ncl:engName="Authority Record Number"/>
1398         <xsd:element name="_4" minOccurs="0" maxOccurs="unbounded" ncl:chiName="著作方式" ncl:engName="Designation of Function"/>
1399     </xsd:sequence>
1400     <xsd:attribute name="ind1" use="required" fixed="" />
1401     <xsd:attribute name="ind2" use="required" fixed="" />
1402 </xsd:complexType>
1403 <!--
1404     8XX 「國際使用段」欄位內容宣告
1405 -->

```

```

1406 <xsd:complexType name="tag801Type" id="801Type">
1407 <xsd:sequence>
1408 <xsd:element name="_a" minOccurs="0" ncl:chiName="國家代碼" ncl:engName="Country"/>
1409 <xsd:element name="_b" minOccurs="0" ncl:chiName="單位簡稱/代碼" ncl:engName="Agency"/>
1410 <xsd:element name="_c" minOccurs="0" ncl:chiName="處理日期" ncl:engName="Date of Transaction"/>
1411 <xsd:element name="_g" minOccurs="0" maxOccurs="unbounded" ncl:chiName="編目規則代碼" ncl:engName="Cataloguing
Rules ( Descriptive Conventions ) "/>
1412 </xsd:sequence>
1413 <xsd:attribute name="ind1" use="required" fixed=" "/>
1414 <xsd:attribute name="ind2" type="indicatorDataType" use="required"/>
1415 </xsd:complexType>
1416 <xsd:complexType name="tag802Type" id="802Type">
1417 <xsd:sequence>
1418 <xsd:element name="_a" ncl:chiName="中心代碼" ncl:engName="ISDS Centre Code"/>
1419 </xsd:sequence>
1420 <xsd:attribute name="ind1" use="required" fixed=" "/>
1421 <xsd:attribute name="ind2" use="required" fixed=" "/>
1422 </xsd:complexType>
1423 <xsd:complexType name="tag805Type" id="805Type">
1424 <xsd:sequence>
1425 <xsd:element name="_a" minOccurs="0" ncl:chiName="單位簡稱/代碼" ncl:engName="Agency Code"/>
1426 <xsd:element name="_b" minOccurs="0" maxOccurs="unbounded" ncl:chiName="次層單位簡稱/代碼" ncl:engName="Sublocation"/>
1427 <xsd:element name="_c" minOccurs="0" maxOccurs="unbounded" ncl:chiName="登錄號" ncl:engName="Accession Number"/>
1428 <xsd:element name="_d" minOccurs="0" maxOccurs="unbounded" ncl:chiName="分類號" ncl:engName="Class Number"/>
1429 <xsd:element name="_e" minOccurs="0" maxOccurs="unbounded" ncl:chiName="書號" ncl:engName="Book Number"/>
1430 <xsd:element name="_f" minOccurs="0" maxOccurs="unbounded" ncl:chiName="編目者、審核者等" ncl:engName="Cataloger"/>
1431 <xsd:element name="_g" minOccurs="0" maxOccurs="unbounded" ncl:chiName="卷期名稱" ncl:engName="Name of Volume, Number"/>
1432 <xsd:element name="_m" minOccurs="0" maxOccurs="unbounded" ncl:chiName="缺期" ncl:engName="Lacking Volume"/>
1433 <xsd:element name="_n" minOccurs="0" maxOccurs="unbounded" ncl:chiName="註記" ncl:engName="Remark"/>
1434 <xsd:element name="_p" minOccurs="0" maxOccurs="unbounded" ncl:chiName="特藏符號" ncl:engName="Prefix"/>
1435 <xsd:element name="_t" minOccurs="0" maxOccurs="unbounded" ncl:chiName="分類系統代碼" ncl:engName="Code of Classification System"/>
1436 <xsd:element name="_v" minOccurs="0" maxOccurs="unbounded" ncl:chiName="版本" ncl:engName="Edition"/>
1437 <xsd:element name="_y" minOccurs="0" maxOccurs="unbounded" ncl:chiName="日期(年、月)、冊次號、年代號" ncl:engName="
Date (year, month) "/>
1438 <xsd:element name="_1" minOccurs="0" maxOccurs="unbounded" ncl:chiName="卷期層次" ncl:engName="Level of Volume Number"/>
1439 <xsd:element name="_2" minOccurs="0" maxOccurs="unbounded" ncl:chiName="卷期層次" ncl:engName="Level of Volume Number"/>
1440 <xsd:element name="_3" minOccurs="0" maxOccurs="unbounded" ncl:chiName="卷期層次" ncl:engName="Level of Volume Number"/>
1441 <xsd:element name="_4" minOccurs="0" maxOccurs="unbounded" ncl:chiName="卷期層次" ncl:engName="Level of Volume Number"/>
1442 <xsd:element name="_5" minOccurs="0" maxOccurs="unbounded" ncl:chiName="卷期層次" ncl:engName="Level of Volume Number"/>
1443 <xsd:element name="_6" minOccurs="0" maxOccurs="unbounded" ncl:chiName="卷期層次" ncl:engName="Level of Volume Number"/>
1444 <xsd:element name="_7" minOccurs="0" maxOccurs="unbounded" ncl:chiName="卷期層次" ncl:engName="Level of Volume Number"/>
1445 </xsd:sequence>
1446 <xsd:attribute name="ind1" use="required" fixed=" "/>
1447 <xsd:attribute name="ind2" use="required" fixed=" "/>
1448 </xsd:complexType>
1449 <!--
1450 @@
1451 通用定義區
1452 @@
1453 -->
1454 <!-- 各Tag欄位非空格之指標定義 -->
1455 <xsd:simpleType name="indicatorDataType" id="ind.st">
1456 <xsd:restriction base="xsd:string">
1457 <xsd:whiteSpace value="preserve"/>
1458 <xsd:pattern value="[\\d ]{1}"/>
1459 </xsd:restriction>
1460 </xsd:simpleType>
1461 <!-- collection, record 元素使用 -->
1462 <xsd:simpleType name="idDataType" id="id.st">
1463 <xsd:restriction base="xsd:ID"/>
1464 </xsd:simpleType>
1465 </xsd:schema>
1466

```